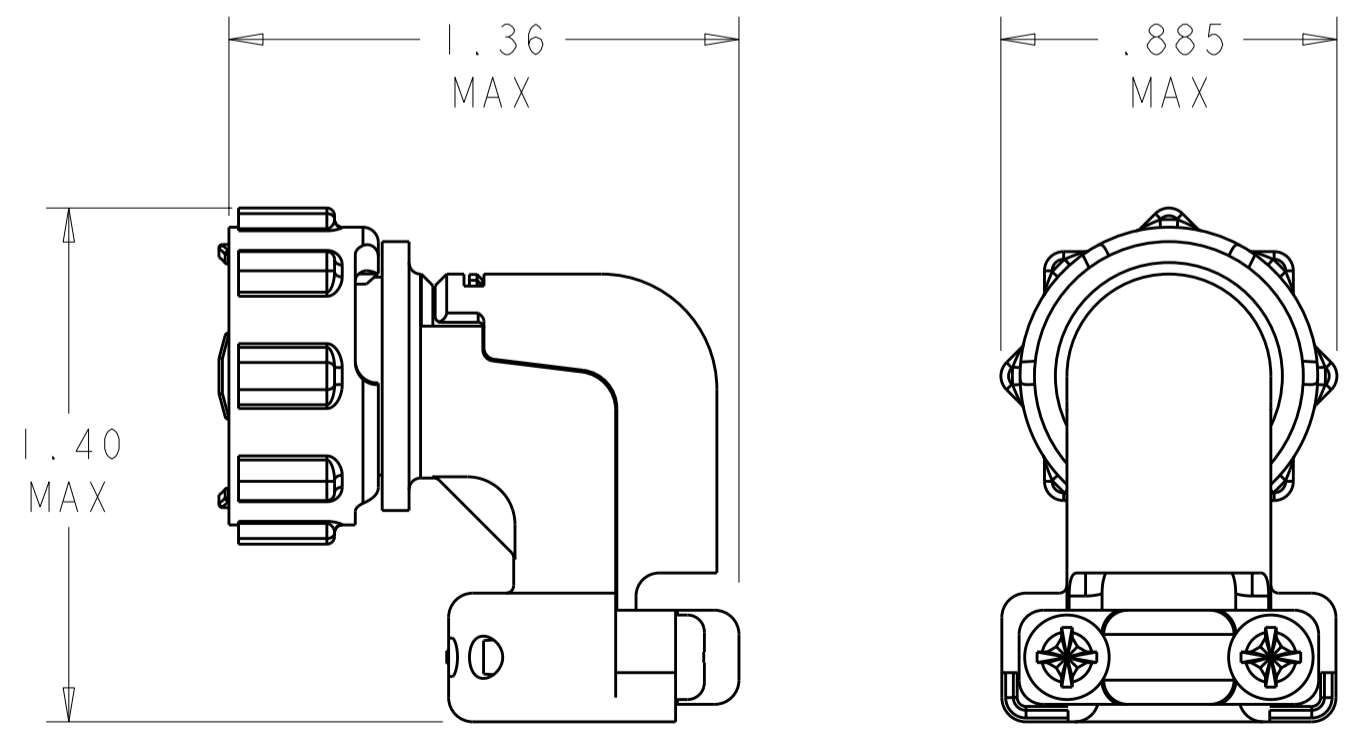
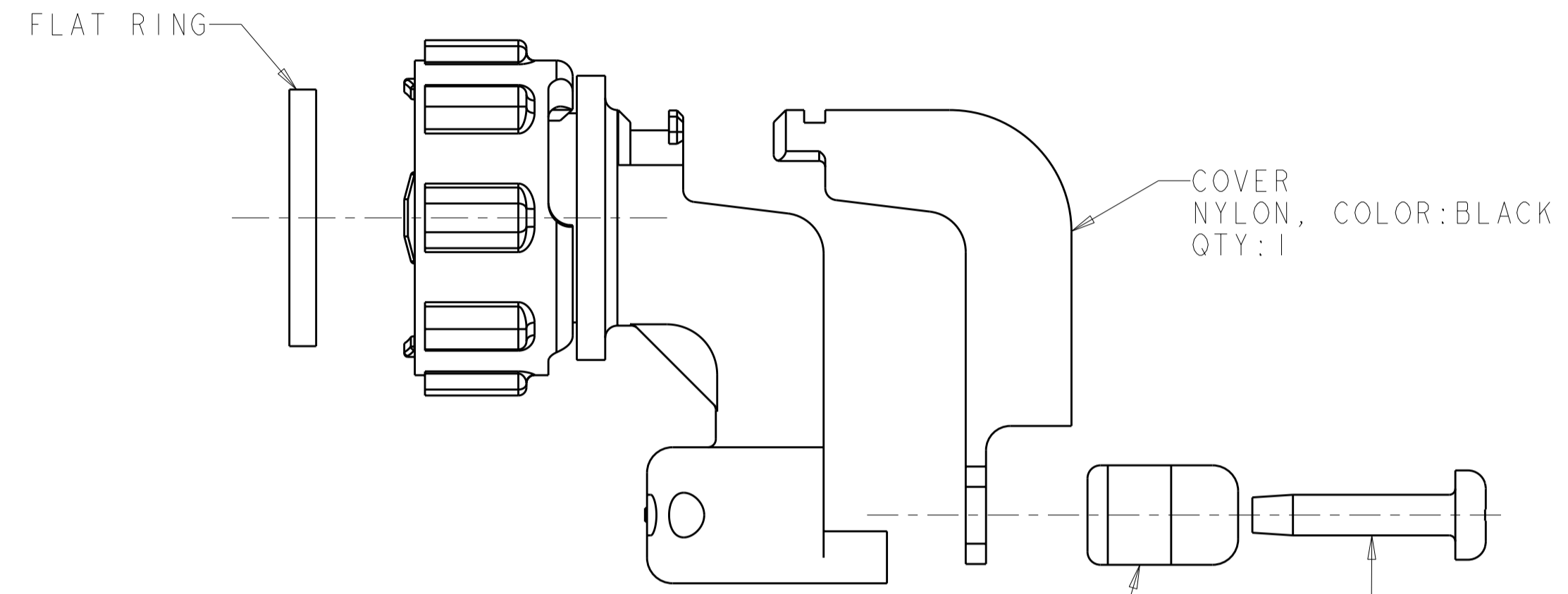
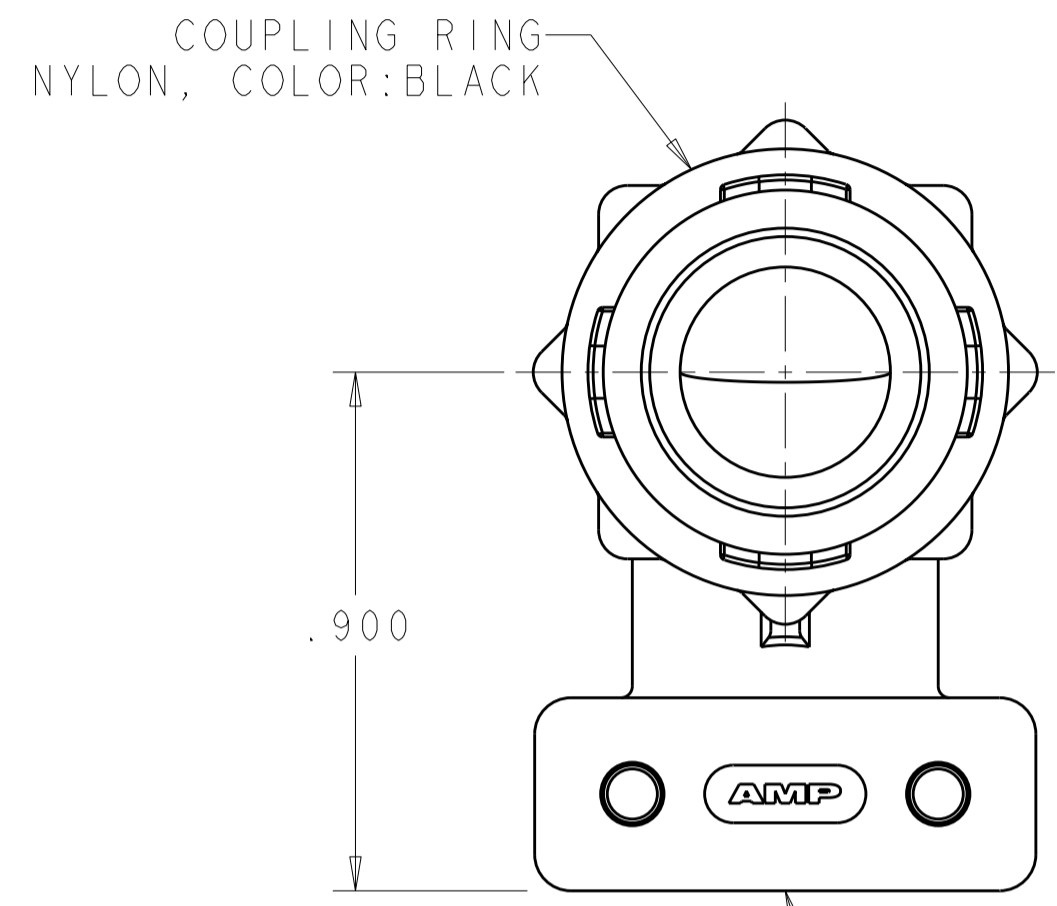


THIS DRAWING IS UNPUBLISHED. RELEASED FOR PUBLICATION
 © COPYRIGHT 20 BY TYCO ELECTRONICS CORPORATION. ALL RIGHTS RESERVED.

LOC	DIST	REVISIONS			
P	LTR	DESCRIPTION	DATE	DWN	APVD
FT	0				
	B	REVISED PER ECO-10-012730	20SEP10	HMR	MG



ASSEMBLED VIEW
SCALE 2:1

- 1 SELF TAPPING SCREWS AND CABLE CLAMP INSERTS PACKAGED UNASSEMBLED.
- 2 CLAMPING AREA ADJUSTABLE TO .329 O.D. MAX CABLE. CABLE CLAMP INSERTS CAN BE ADJUSTED BY INVERTING OR CHANGING CABLE CLAMP INSERT.
- 3 SCREW FINISH ZINC WITH NON HEXAVALENT CHROMATE.

1546347-2	1546347-1
SUPERSEDED BY -2-	
PART NUMBER	

THIS DRAWING IS A CONTROLLED DOCUMENT FOR TYCO ELECTRONICS CORPORATION IT IS SUBJECT TO CHANGE AND THE CONTROLLING ENGINEERING ORGANIZATION SHOULD BE CONTACTED FOR THE LATEST REVISION.		DWN S. WELDON 12AUG2002	AMP Incorporated Harrisburg, PA 17105-3608	
DIMENSIONS: INCHES		CHK S. HEADER 12AUG2002	NAME CABLE CLAMP KIT, UNASSEMBLED, R/A, W/COVER, SIZE 11, CPC	
TOLERANCES UNLESS OTHERWISE SPECIFIED:		APVD S. HEADER 12AUG2002	SIZE A200779 C-1546347	
0 PLC ±	1 PLC ±	PRODUCT SPEC	RESTRICTED TO	
2 PLC ±	3 PLC ±0.005	APPLICATION SPEC	-	
4 PLC ±	ANGLES ±	WEIGHT	-	
MATERIAL	FINISH	CUSTOMER DRAWING	SCALE 3:1	SHEET 1 OF 1 REV B

Mouser Electronics

Authorized Distributor

Click to View Pricing, Inventory, Delivery & Lifecycle Information:

[TE Connectivity:](#)

[1546347-2](#)