

4

3

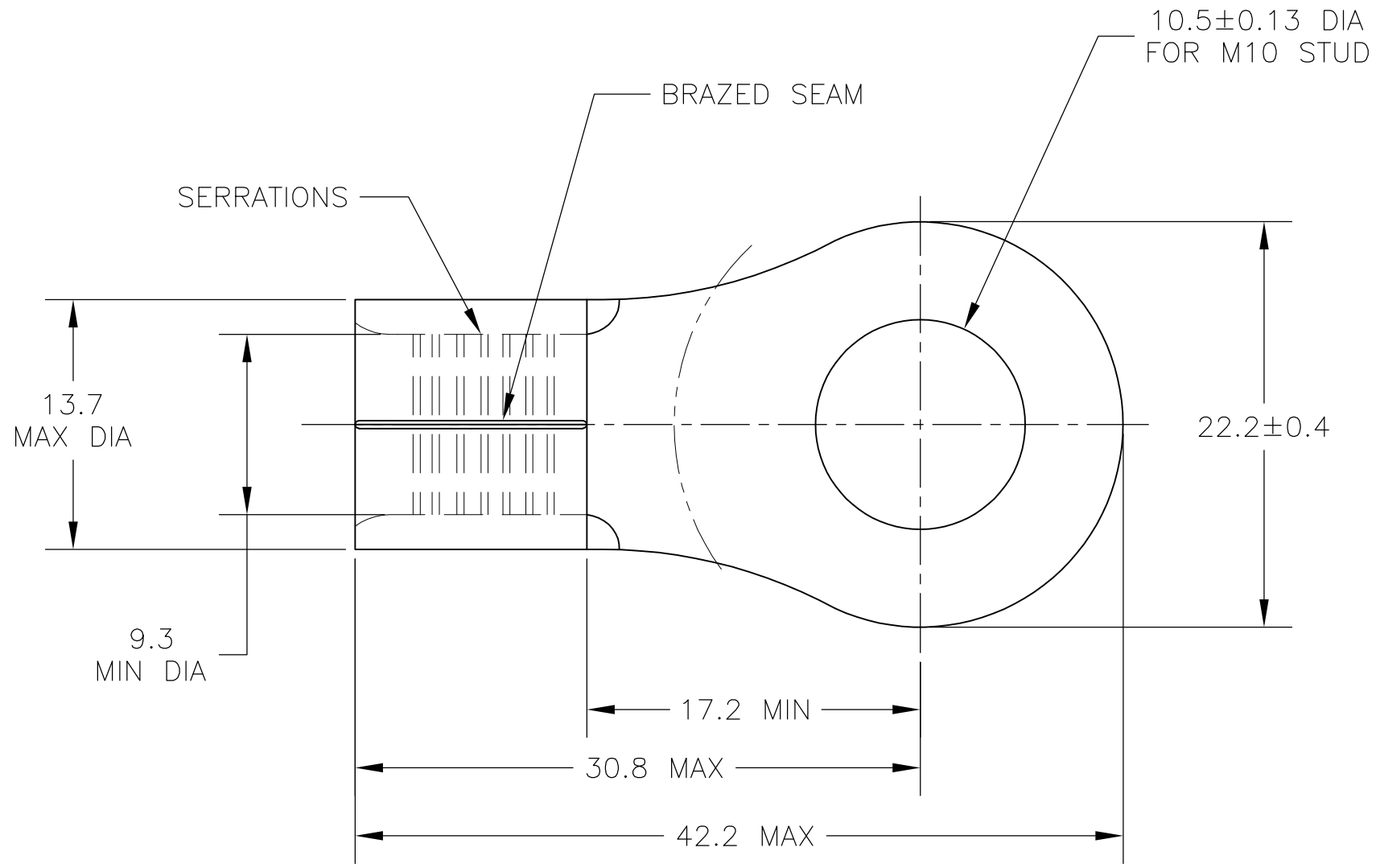
2

1

THIS DRAWING IS UNPUBLISHED. RELEASED FOR PUBLICATION  
 © COPYRIGHT - By - ALL RIGHTS RESERVED.

LOC	DIST	REVISIONS					
		P	LTR	DESCRIPTION	DATE	DWN	APVD
G	14		A2	REVISED PER ECO-15-006978	06JUN2015	NK	MM

- 1 TONGUE THK IS 1.80±0.06.
- △ 2 TIN PLATE PER ASTM B545 ANNEALED.



△ 2	160002
FINISH	PART NO

THIS DRAWING IS A CONTROLLED DOCUMENT.		DWN	jr_ruth	02FEB06	<b>STE</b> TE Connectivity													
DIMENSIONS: INCHES		CHK	MJ SPICER	02FEB06														
TOLERANCES UNLESS OTHERWISE SPECIFIED:		APVD	MJ SPICER	02FEB06	NAME													
<table border="0"> <tr><td>0 PLC</td><td>± -</td></tr> <tr><td>1 PLC</td><td>± -</td></tr> <tr><td>2 PLC</td><td>± -</td></tr> <tr><td>3 PLC</td><td>± 0.20</td></tr> <tr><td>4 PLC</td><td>± -</td></tr> <tr><td>ANGLES</td><td>± 5°</td></tr> </table>		0 PLC	± -	1 PLC	± -	2 PLC	± -	3 PLC	± 0.20	4 PLC	± -	ANGLES	± 5°	PRODUCT SPEC		TERMINAL, SOLISTRAND, RING TONGUE, WIRE SIZE : #2		
0 PLC	± -																	
1 PLC	± -																	
2 PLC	± -																	
3 PLC	± 0.20																	
4 PLC	± -																	
ANGLES	± 5°																	
MATERIAL		APPLICATION SPEC		RESTRICTED TO														
COPPER ASTM B152		FINISH		SCALE														
SEE TABLE		WEIGHT		SHEET														
		CUSTOMER DRAWING		1 OF 1														
		A3 00779 C-160002		REV A2														

# Mouser Electronics

Authorized Distributor

Click to View Pricing, Inventory, Delivery & Lifecycle Information:

[TE Connectivity:](#)

[160002](#)