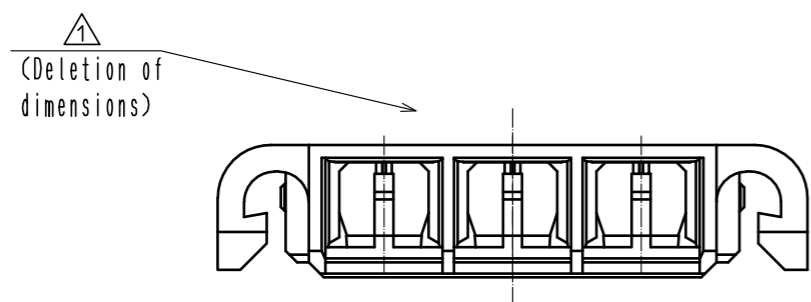
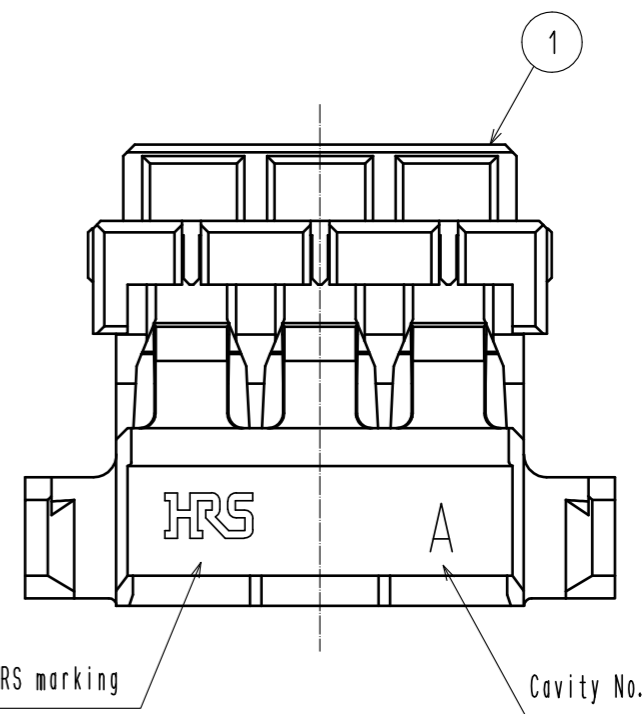
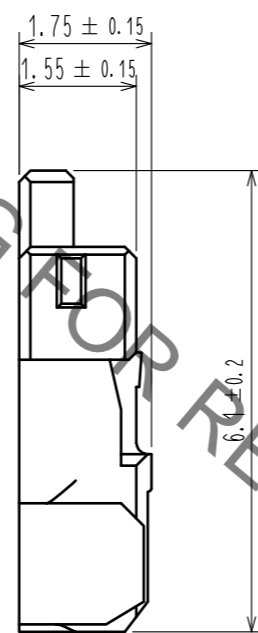
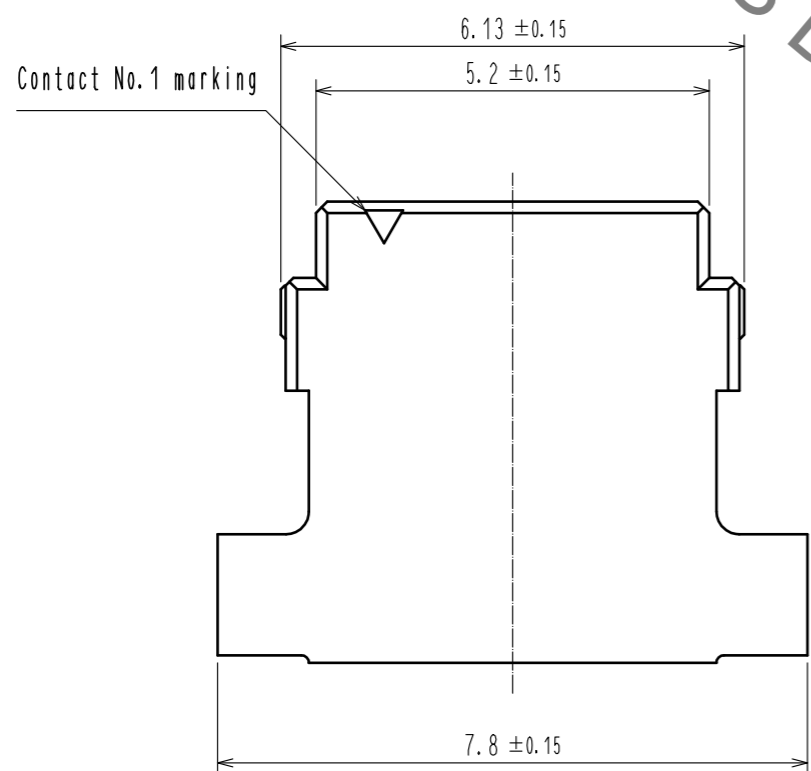
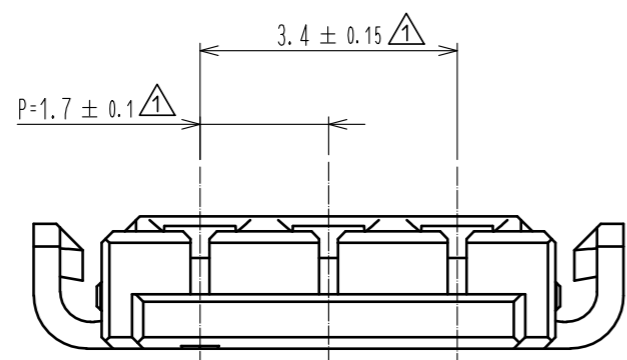


Aug.1.2019 Copyright 2019 HIROSE ELECTRIC CO., LTD. All Rights Reserved.
 In case of consideration for using Automotive equipment / device which demand high reliability, kindly contact our sales window correspondents.



HRS DRAWING TOP REFERENCE

Note 1. UL<File No. E52653>
 C-UL<File No. E52653>



NO.	MATERIAL	FINISH . REMARKS	NO.	MATERIAL	FINISH . REMARKS
1	LCP			UL94V-0. NATURAL	
UNITS mm		SCALE 10:1	COUNT 4	DESCRIPTION OF REVISIONS DIS-H-00004793	DESIGNED SN. MIWA
HIROSE ELECTRIC CO., LTD.		APPROVED : KI. AKIYAMA	20131220	DRAWING NO.	EDC3-351453-00
		CHECED : OM. MIYAMOTO	20131220	PART NO.	DF65-3S-1.7C
		DESIGNED : TT. OHSAKO	20131218	CODE NO.	CL666-6005-8-00
		DRAWN : TT. OHSAKO	20131218		
					1/1