

PLEASE CHECK WWW.MOLEX.COM FOR LATEST PART INFORMATION

Part Number: [0441330400](#)
Status: **Active**
Overview: [Micro-Fit 3.0™ Connectors](#)
Description: [Micro-Fit BMI™ Receptacle Housing, Dual Row, Panel Mount, 4 Circuits, PBT Polyester, UL 94V-0](#)

Documents:

[3D Model](#) [RoHS Certificate of Compliance \(PDF\)](#)
[Drawing \(PDF\)](#) [Product Literature \(PDF\)](#)
[Product Specification PS-44300-001 \(PDF\)](#)

Agency Certification

CSA LR19980
 UL E29179

General

Product Family Crimp Housings
 Series [44133](#)
 Application Power, Wire-to-Board, Wire-to-Wire
 MolexKits Yes
 Overview [Micro-Fit 3.0™ Connectors](#)
 Product Literature Order No 987650-5984
 Product Name Micro-Fit BMI™
 UPC 800753132917

Physical

Circuits (maximum) 4
 Color - Resin Black
 Flammability 94V-0
 Gender Female
 Glow-Wire Compliant No
 Lock to Mating Part No
 Material - Resin Polyester
 Net Weight 1.682/g
 Number of Rows 2
 Packaging Type Bag
 Panel Mount Yes
 Pitch - Mating Interface 3.00mm
 Polarized to Mating Part Yes
 Stackable No
 Temperature Range - Operating -40°C to +105°C

Electrical

Current - Maximum per Contact 5.0A

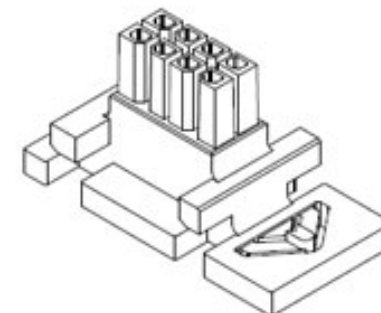
Solder Process Data

Lead-freeProcess Capability N/A

Material Info

Reference - Drawing Numbers

Product Specification PS-44300-001
 Sales Drawing SD-44133-001



Series image - Reference only

EU ELV

Not Relevant

EU RoHS

Compliant

REACH SVHC

Not Contained Per -
 ED/21/2016 (20 June
 2016)

Halogen-Free

Status

Not Low-Halogen

Need more information on product environmental compliance?

Email productcompliance@molex.com
 Please visit the [Contact Us](#) section for any non-product compliance questions.

China ROHS Green Image
 ELV Not Relevant
 RoHS Phthalates Not Contained

Search Parts in this Series

[44133 Series](#)

Mates With

[44300-0400](#) Micro-Fit BMI™ Panel Mount Plug Housing, [44432](#) Micro-Fit BMI™ Vertical 4 Circuit Headers, [44428](#) Micro-Fit BMI™ Right Angle 4 Circuit Headers, [45280](#) Micro-Fit BMI CPI™ Vertical 4 Circuit Headers

Use With

[43030](#) , [Link45773](#) Micro-Fit 3.0™ Female Crimp Terminals, [46235](#) Micro-Fit RMF™ Female Crimp Terminals