

THIS DRAWING IS UNPUBLISHED.

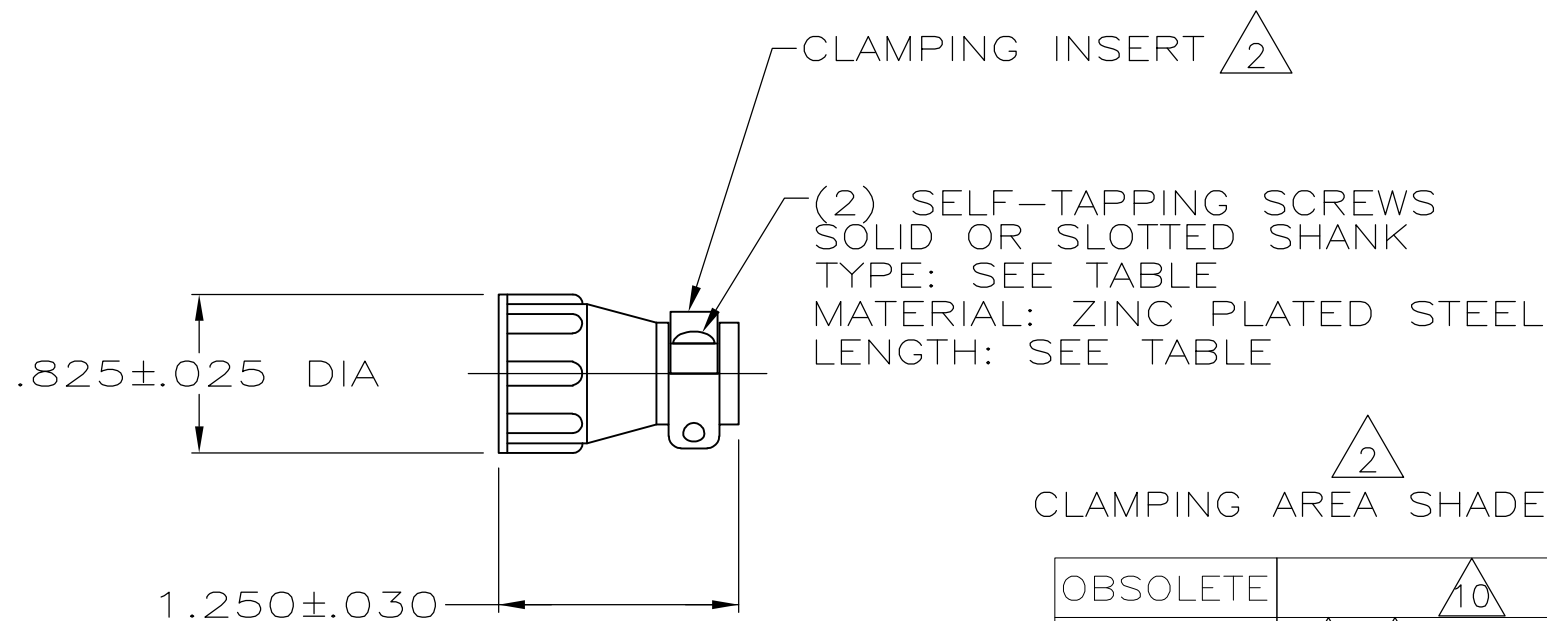
RELEASED FOR PUBLICATION

ALL RIGHTS RESERVED.

© COPYRIGHT - By -

REVISIONS

P	LTR	DESCRIPTION	DATE	DWN	APVD
	V1	REVISED PER ECO-15-002073	06MAY2015	NK	MZ
	W	REVISED PER ECR-16-017870	20APR2017	BDA	MZ



- 1 PARTS PACKAGED UNASSEMBLED.
- 2 CABLE CLAMPING AREA ADJUSTABLE FROM .004 TO .055 SQ IN BY REVERSING CLAMPING INSERTS.
- 3 .329 MAXIMUM CABLE OUTSIDE DIAMETER.
- 4 BULK PACKAGED KITS TO BE ORDERED IN MULTIPLES OF 800 ONLY.
- 5 OBSOLETE PART NUMBER.
- 6 STAINLESS STEEL (NON MAGNATIC).
- 7 CABLE CLAMP WITH NON-MAGNETIC STAINLESS STEEL SCREWS.
- 8 ZINC PLATED STEEL, NON-HEXAVALENT CHROMATE.

- 9 OBSOLETE PARTS: OBSOLETE CIS STREAMLINING PER D.RENAUD/D.SINISI
- 10 SPECIAL PACKAGING CONSISTING OF 1 KIT PER INDIVIDUAL BAG, 20 INDIVIDUAL BAGS PER LARGER BAG, 5 LARGER BAGS PER SHIPPER BOX.

PACKAGING	SCREW FINISH	SCREW LENGTH	SCREW TYPE	PART NUMBER
OBSOLETE	8	.50 ⁺ _{-.05}	#5-20	2-206062-0
OBSOLETE	6	.50 ⁺ _{-.05}	#5-20	1-206062-9
BULK	8	.50 ⁺ _{-.05}	#5-20	1-206062-7
INDIVIDUAL	8	.38 ⁺ _{-.05}	#5-20	1-206062-6
BULK	8	.38 ⁺ _{-.05}	#5-20	1-206062-5
INDIVIDUAL	8	.50 ⁺ _{-.05}	#5-20	1-206062-4
INDIVIDUAL	8	.62 ⁺ _{-.05}	#5-20	1-206062-3
INDIVIDUAL	6	.50 ⁺ _{-.05}	#5-20	1-206062-2
SUPERSEDED BY 1-206062-3	8	.62 ⁺ _{-.05}	#5-20	1-206062-1
OBSOLETE	8	.38 ⁺ _{-.05}	#5-20	1-206062-0
AMP BRAZIL USE ONLY		12mm ⁺ _{-.8}	3mm-20	206062-9
AMP BRAZIL USE ONLY		10mm ⁺ _{-.8}	3mm-20	206062-8
SUPERSEDED BY 1-206062-7	8	.50 ⁺ _{-.05}	#5-20	206062-4
SUPERSEDED BY 1-206062-4	8	.50 ⁺ _{-.05}	#5-20	206062-3
SUPERSEDED BY 1-206062-5	8	.38 ⁺ _{-.05}	#5-20	206062-2
SUPERSEDED BY 1-206062-6	8	.38 ⁺ _{-.05}	#5-20	206062-1

THIS DRAWING IS A CONTROLLED DOCUMENT.

DWN A GRAFF 4/29/91
 CHK W.G.LENKER 7-22-92
 APVD -
 PRODUCT SPEC -
 APPLICATION SPEC -
 WEIGHT -

STE TE Connectivity

CABLE CLAMP KIT, STANDARD, SHELL SIZE 11, CPC

SIZE A3 CAGE CODE 00779 DRAWING NO C-206062 RESTRICTED TO -

CUSTOMER DRAWING SCALE NTS SHEET 1 OF 1 REV W

Mouser Electronics

Authorized Distributor

Click to View Pricing, Inventory, Delivery & Lifecycle Information:

[TE Connectivity:](#)

[1-206062-5](#)