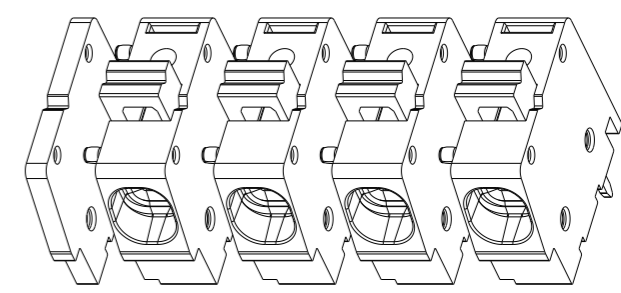
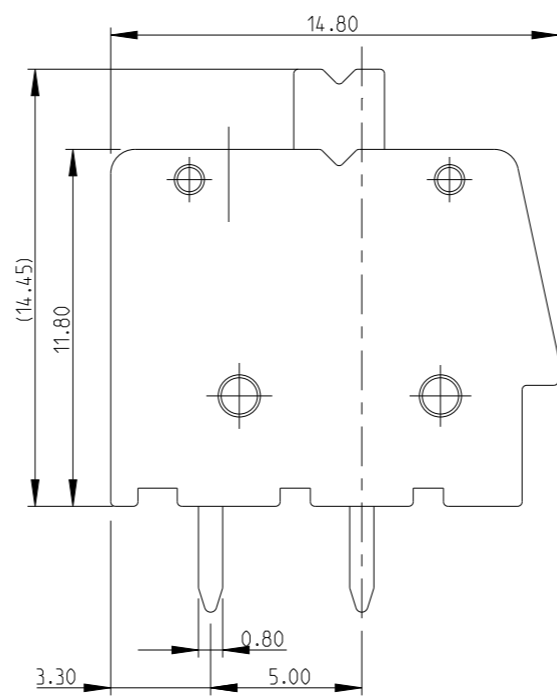
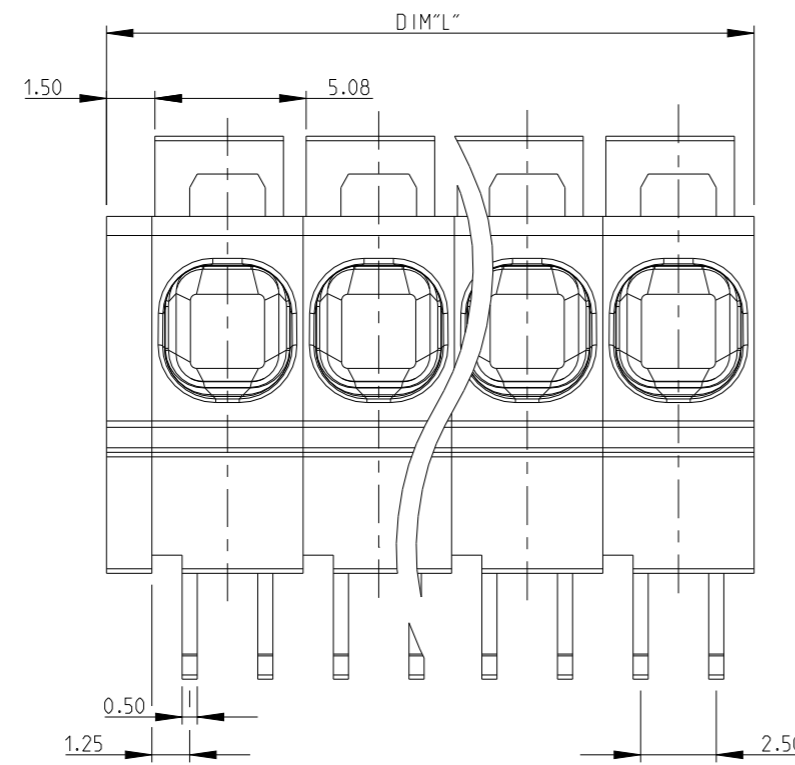
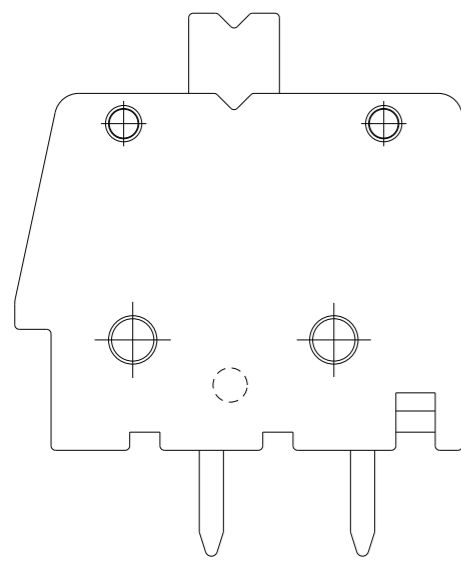
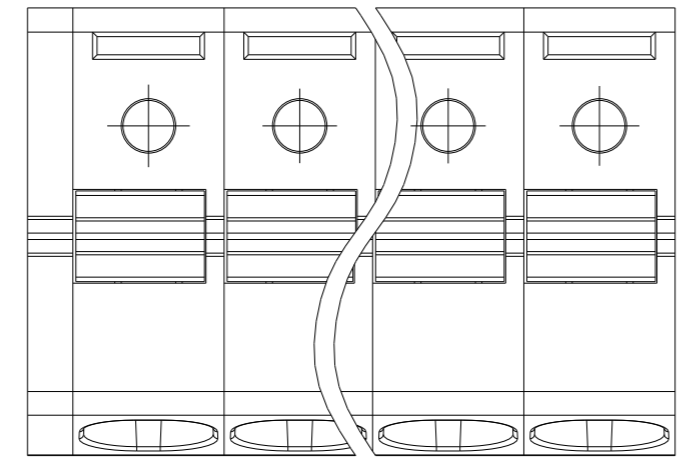


| P | LTR | DESCRIPTION | DATE | DWN | APVD |
|---|-----|---------------------------|-----------|-----|------|
| | B | PLATING INFORMAITON ADDED | 16JUL2019 | RK | PS |
| | B1 | DRAWING REVISED | 09JUL2021 | SB | SS |



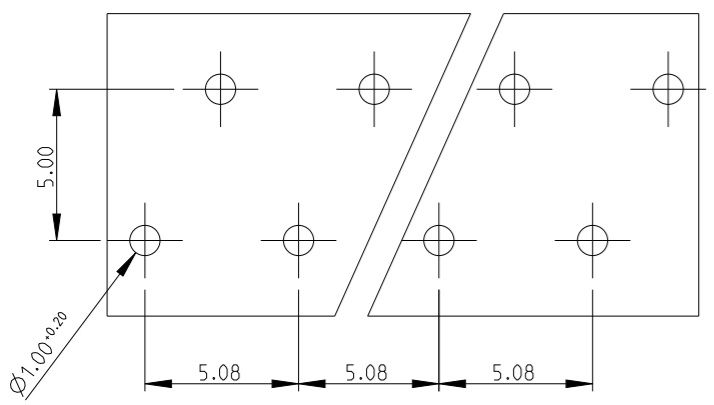
SCALE 2:1
-4 AS SHOWN




- MATERIAL:**
 HOUSING - PA66 , UL94 V0
 CLAMPING SPRING - STAINLESS STEEL
 PIN - COPPER ALLOY - BRIGHT TIN PLATED
- MECHANICAL:**
 MIN. PC BOARD HOLES DIAMETER : 1.2 mm
 MAX. PC BOARD THICKNESS : 2.4 mm
 WIRE STRIPPING LENGTH : 11.5 mm
- ELECTRICAL:**
 WIRE RANGE : 12-30 AWG
 RATED VOLTAGE : 300V
 RATED CURRENT : 16A
 CONTACT RESISTANCE : <15 m Ohm
 INSULATION RESISTANCE : >1000 M Ohm (500V DC)
- OPERATING TEMPERATURE RANGE : -40°C TO +105°C**

| | | |
|---------|------|-------------|
| 128.50 | 25 | 2-1986712-5 |
| 123.42 | 24 | 2-1986712-4 |
| 118.34 | 23 | 2-1986712-3 |
| 113.26 | 22 | 2-1986712-2 |
| 108.18 | 21 | 2-1986712-1 |
| 103.10 | 20 | 2-1986712-0 |
| 98.02 | 19 | 1-1986712-9 |
| 92.94 | 18 | 1-1986712-8 |
| 87.86 | 17 | 1-1986712-7 |
| 82.78 | 16 | 1-1986712-6 |
| 77.70 | 15 | 1-1986712-5 |
| 72.62 | 14 | 1-1986712-4 |
| 67.54 | 13 | 1-1986712-3 |
| 62.46 | 12 | 1-1986712-2 |
| 57.38 | 11 | 1-1986712-1 |
| 52.30 | 10 | 1-1986712-0 |
| 47.22 | 9 | 1986712-9 |
| 42.14 | 8 | 1986712-8 |
| 37.06 | 7 | 1986712-7 |
| 31.98 | 6 | 1986712-6 |
| 26.90 | 5 | 1986712-5 |
| 21.82 | 4 | 1986712-4 |
| 16.74 | 3 | 1986712-3 |
| 11.66 | 2 | 1986712-2 |
| DIM "L" | POLE | PART NO |

PCB LAYOUT



| | | | |
|--|--|-----------------------------------|--|
| THIS DRAWING IS A CONTROLLED DOCUMENT. | | DWN 08AUG2011 RAGHAVENDRA |  TE Connectivity |
| DIMENSIONS: mm | | CHK 08AUG2011 SARVER, MICHAEL | |
| TOLERANCES UNLESS OTHERWISE SPECIFIED: | | APVD 08AUG2011 SARVER, MICHAEL | NAME SPRING TYPE, SIDE WIRE ENTRY TERMINAL SIDE STACKABLE STRAIGHT 02 - 25 POLES PITCH 5.08mm |
| 0 PLC ± 1 PLC ±0.5 2 PLC ±0.25 3 PLC ± 4 PLC ± ANGLES ±1° | | PRODUCT SPEC | SIZE CAGE CODE DRAWING NO RESTRICTED TO |
| MATERIAL FINISH | | APPLICATION SPEC | A3 00779 C-1986712 |
| | | WEIGHT | CUSTOMER DRAWING SCALE 2:1 SHEET 1 OF 1 REV B1 |

Mouser Electronics

Authorized Distributor

Click to View Pricing, Inventory, Delivery & Lifecycle Information:

[TE Connectivity:](#)

[1-1986712-9](#)