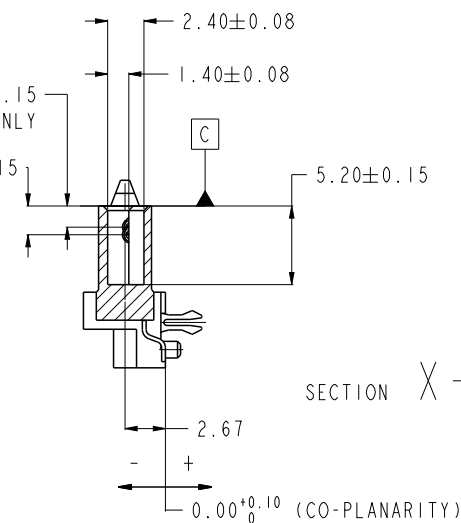
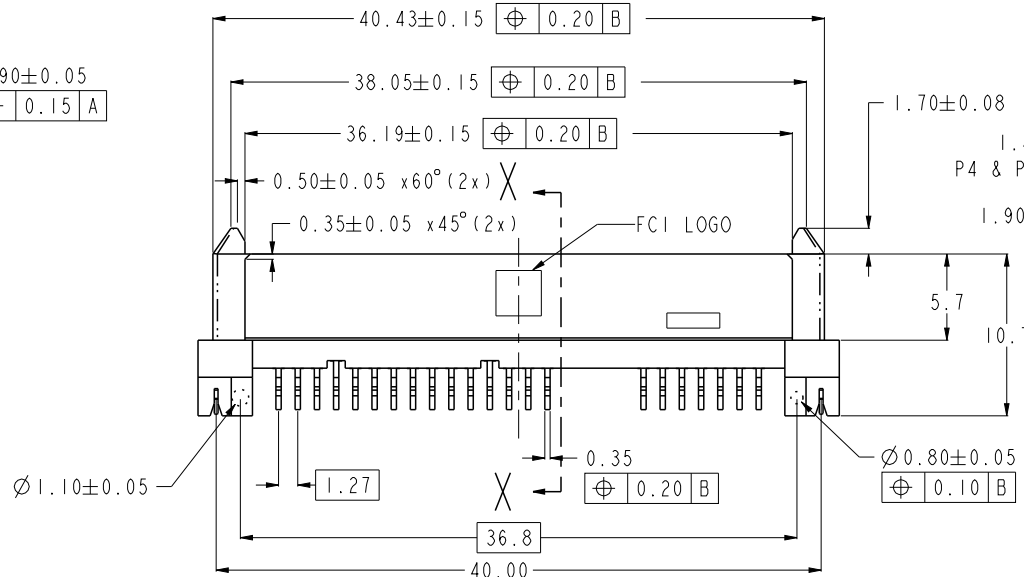
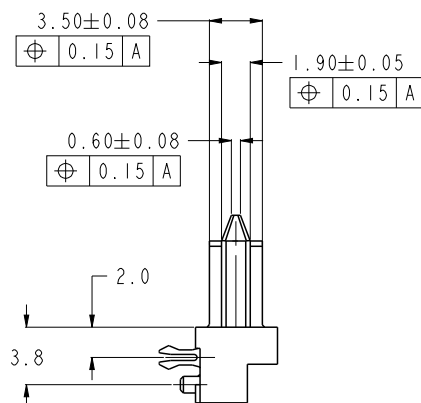
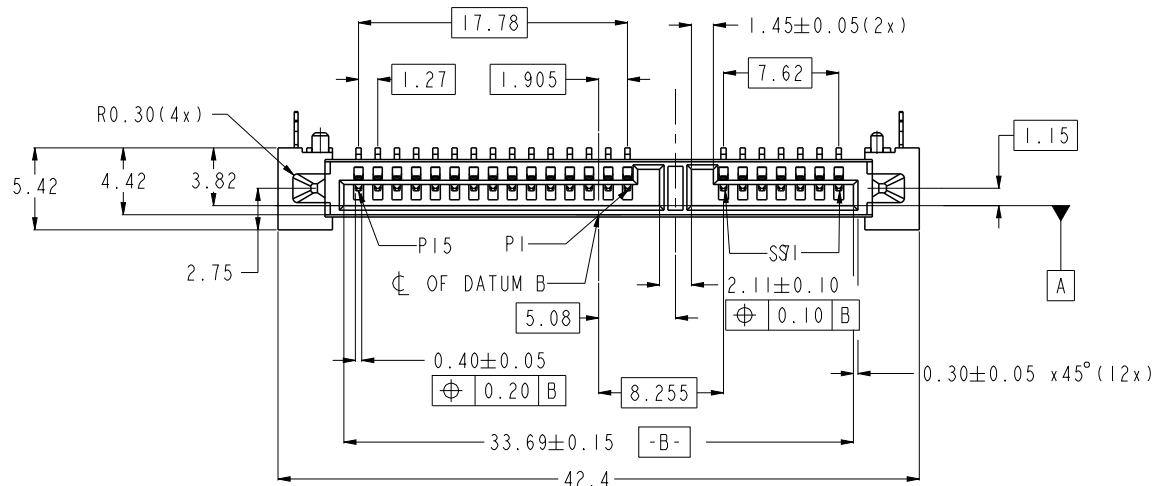


PRODUCT NO.
SEE TABLE



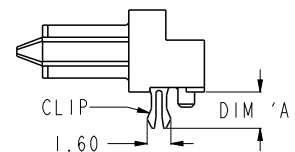
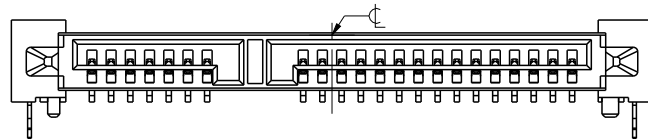
spec ref		dr w cadmin 2006/02/20		projection 	MM ←→	size	A4	scale	1:1	
tolerance std	ASME Y14.5	eng Koon-Poh Tay 2013/04/10				ecn no	ELX-J-14320-1			
		chr -					rel level		Released	
TOLERANCES UNLESS OTHERWISE SPECIFIED		appr Chen-Hong Tan 2013/04/15		product family		-		rev		
surface ✓	linear	0.X	±----		S-ATA COMB RECEPTACLE		dwg no	10029364		
		0.XX	±0.20		R/A SMT TYPE ASSY			rev	S	
		0.XXX	±----		cat. no.				-	
angular	0°	±°	www.fci.com		-		sheet 1 of 3			

Prod File - REV C - 2009-06-09

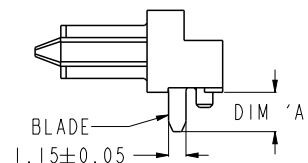
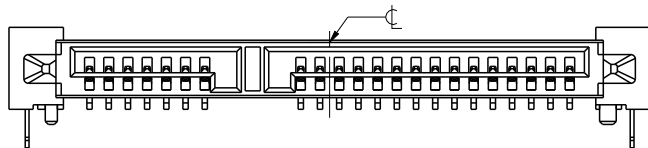


Copyright FCI.

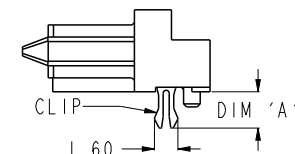
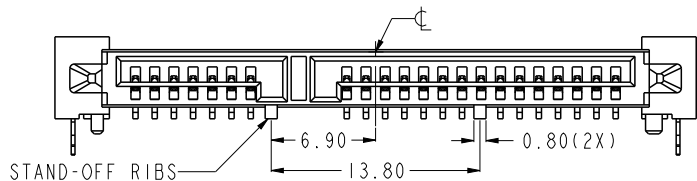
10029364-00XLF/TRLF



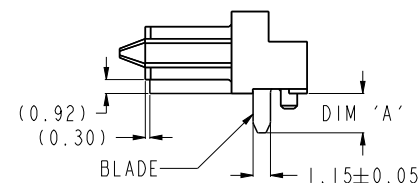
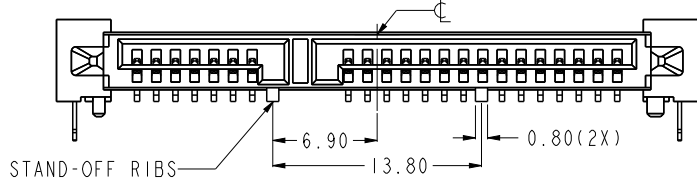
10029364-01XLF/TRLF



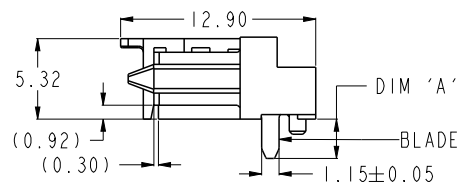
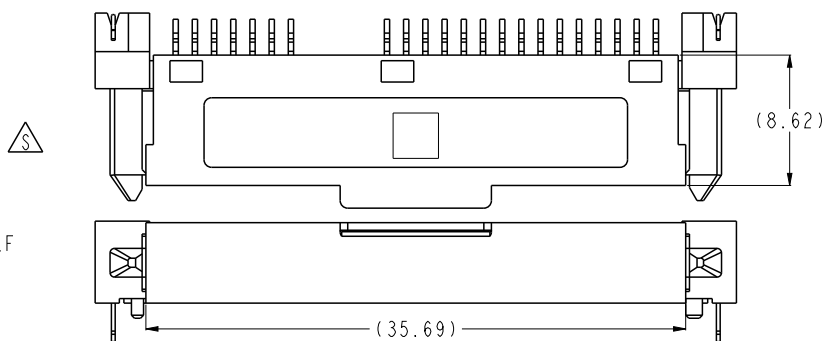
10029364-10XLF/TRLF



10029364-11XLF/TRLF



10029364-11XCLEF/C-TRLF



spec ref		dr w wcadmin		2006/02/20		projection		size		scale	
tolerance std		eng Koon-Poh Tay		2013/04/10				A4		1:1	
ASME Y14.5		chr -		-				ecn no		ELX-J-14320-1	
TOLERANCES UNLESS OTHERWISE SPECIFIED		appr Chen-Hong Tan		2013/04/15		product family		-		rel level	
surface ✓		linear				title		S-ATA COMB RECEPTACLE		rev	
		0.X		±----		R/A SMT TYPE ASSY		dwg no		10029364	
		0.XX		±0.20		cat. no.		-		Product - Customer Drw	
		0.XXX		±----		www.fci.com		-		sheet 2 of 3	
		angular		0°		-		-		STATUS:Released	
		±°		-		-		-		Printed: Apr 15, 2013	

PRODUCT NO.	RECOMMENDED P.C.B. THICKNESS	HOLD DOWN	DIM 'A'	HOUSING WITH STAND-OFF RIBS	PACKAGING
10029364-001LF	1.60	METAL CLIP	2.40	NO	TRAY
10029364-001TRLF					TAPE & REEL
10029364-002LF	1.00		NO	1.80	TRAY
10029364-002TRLF					TAPE & REEL
10029364-102LF			YES	TRAY	
10029364-102TRLF				TAPE & REEL	
10029364-011LF	--	BLADE	2.60	NO	TRAY
10029364-011TRLF					TAPE & REEL
10029364-111LF			YES	TRAY	
10029364-111TRLF					TAPE & REEL
10029364-111CLF					TRAY
10029364-111C-TRLF					TAPE & REEL

NOTES:-

1. MATERIAL:

1) HOUSING : HIGH TEMP. THERMOPLASTIC, UL 94V-0
COLOR : BLACK

2) TERMINAL : COPPER ALLOY
3) HOLD DOWN : COPPER ALLOY

2. FINISH:

1) TERMINAL : 30u" GOLD PLATING (CONTACT POINT)
OVER 50u" MIN NICKEL

2) SOLDER TAIL : 100u" MIN TIN OVER 50u" NICKEL
3) HOLD DOWN : 100u" MIN TIN OVER 50u" NICKEL

3. TRUE POSITION APPLY AT TERMINAL TIP

4. THE STANDARD PACKAGING IS IN TRAY.

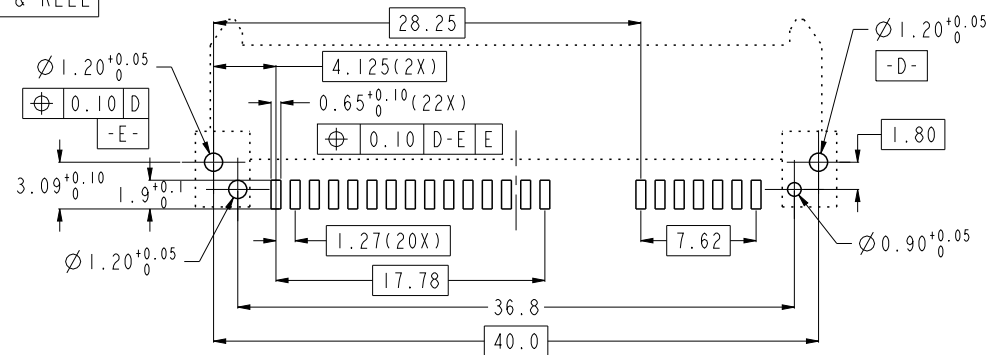
5. THE HOUSING WILL WITHSTAND EXPOSURE TO 260°C PEAK TEMPERATURE FOR 10 SECONDS IN A CONVECTION, INFRA-RED OR VAPOR PHASE REFLOW OVEN

6 THIS PRODUCT MEETS EUROPEAN UNION DIRECTIVES AND OTHER COUNTRY REGULATIONS AS DESCRIBED IN GS-22-008

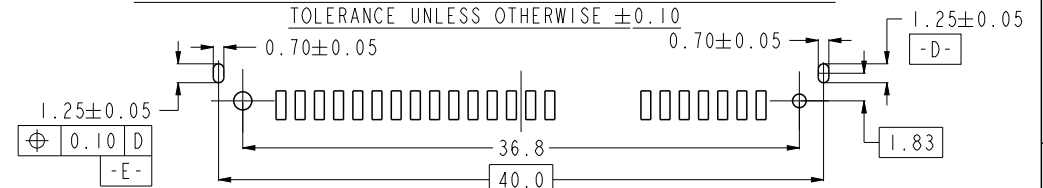
7 PART NUMBERS ENDING IN "LF" ARE MEANT FOR LEAD-FREE IDENTIFICATION. P/N XXXXXXXX-XXXLF IS EQUIVALENT TO PREVIOUS P/N XXXXXXXX-XXX

8. A Δ SYMBOL WILL BE NEXT TO ANY DIMENSION, VIEW, OR NOTE WHICH HAS BEEN MODIFIED WITH THE CURRENT DRAWING REVISION.

RECOMMENDED P.C.B. LAYOUT
TOLERANCE UNLESS OTHERWISE ± 0.10



ALTERNATIVE P.C.B. LAYOUT
REFER TO RECOMMENDED PCB LAYOUT FOR UNSPECIFIED DIMENSIONS
TOLERANCE UNLESS OTHERWISE ± 0.10



spec ref		dr	w wcadmin	2006/02/20	projection 	MM 	size	A4	scale	1:1
tolerance std		eng	Koon-Poh Tay	2013/04/10			ecn no	ELX-J-14320-1		
ASME Y14.5		chr	-	-				rel level	Released	
surface \checkmark	linear	0.X	\pm ----		product family	-	rev			
		0.XX	± 0.20							
		0.XXX	\pm ----							
	angular	0°	\pm °		product family	-	Product - Customer Drw	sheet 3 of 3		



Copyright FCI.

Mouser Electronics

Authorized Distributor

Click to View Pricing, Inventory, Delivery & Lifecycle Information:

[FCI / Amphenol:](#)

[10029364-001LF](#) [10029364-002LF](#) [10029364-002TRLF](#) [10029364-111TRLF](#) [10029364-111LF](#) [10029364-011LF](#)
[10029364-011TRLF](#) [10029364-001TRLF](#) [10029364-111C-TRLF](#)