

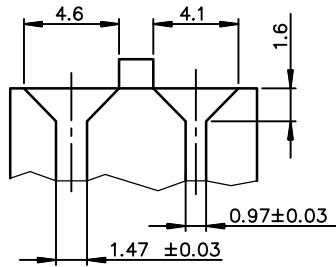
1

2

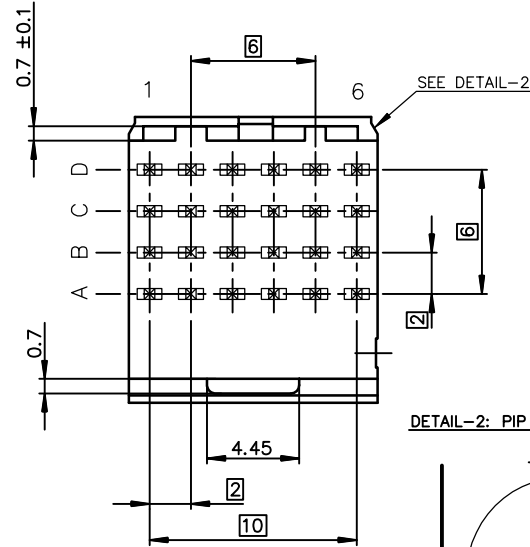
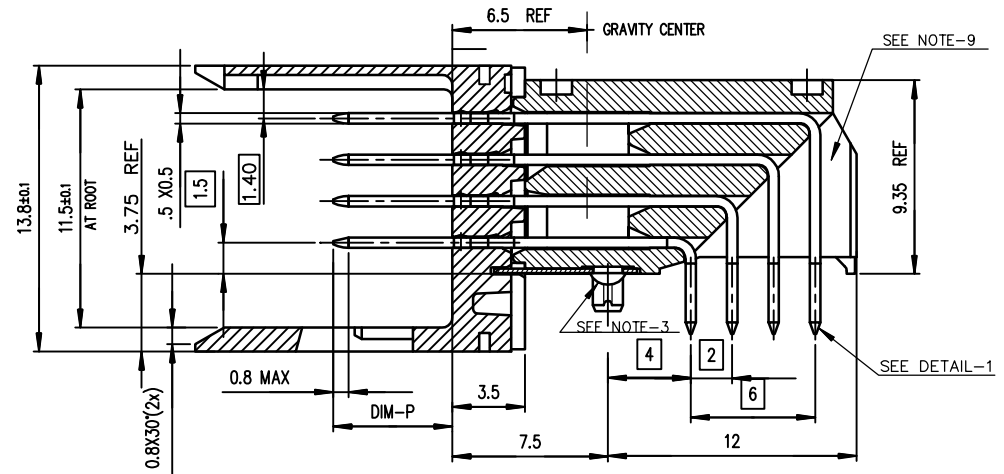
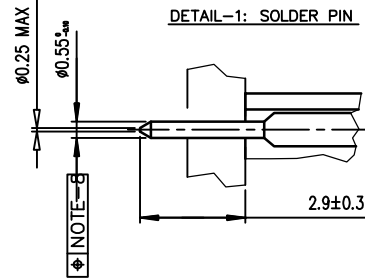
3

4

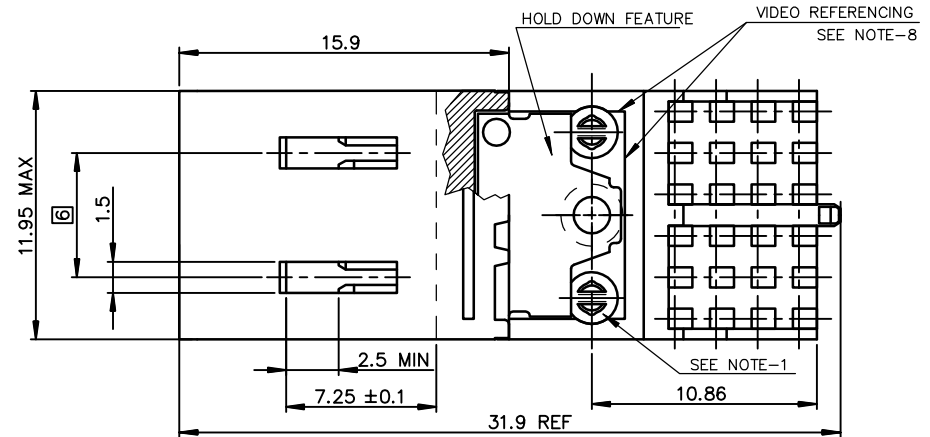
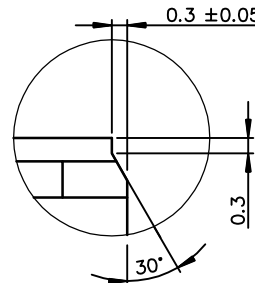
DETAIL-3: MATING SLOTS



DETAIL-1: SOLDER PIN



DETAIL-2: PIP CHAMFER SCALE 10/1



LEAD-FREEPART NUMBER	PERFORMANCE LEVEL
10114942-101LF	STANDARD P/N, See Prod. Spec GS-12-446

GENERAL CHARACTERISTICS AND ROHS INFORMATIONS:

See PRODUCT SPECIFICATION: GS-12-446

- NOTE-1: SPRING PEGS WITH LOW INSERTION FORCE 20 N PER MODULE RETENTION FORCE * 10 N PER MODULE
- NOTE-2: ONE HEAT STAKE PEG FOR HDF FIXING
- NOTE-3: USE EXISTING CABLE TO BOARD CODING KEYS
- NOTE-4: PLATING ON MATING PART, SEE PRODUCT SPEC: GS-12-446
- NOTE-5: PRODUCT MARKING = PRODUCT PART NUMBER + FCI+DATE CODE
- NOTE-6: TRUE POS CONTROL WITH GRID GAUGE Ø0.65 + WEIGHT 10 N TRUE POS TOLERANCES ACCORDING TO MOUNTING RANGE = ±0.35 (X AND Y)
- NOTE-7: CENTRAL WALL WITH END REAR SUPPORT
- NOTE-8: VIDEO REFERENCING ON LISIBLE+ACCURATE SHARP PLASTIC EDGES

OTHERS INFORMATIONS,SEE SHEET 2/3/4

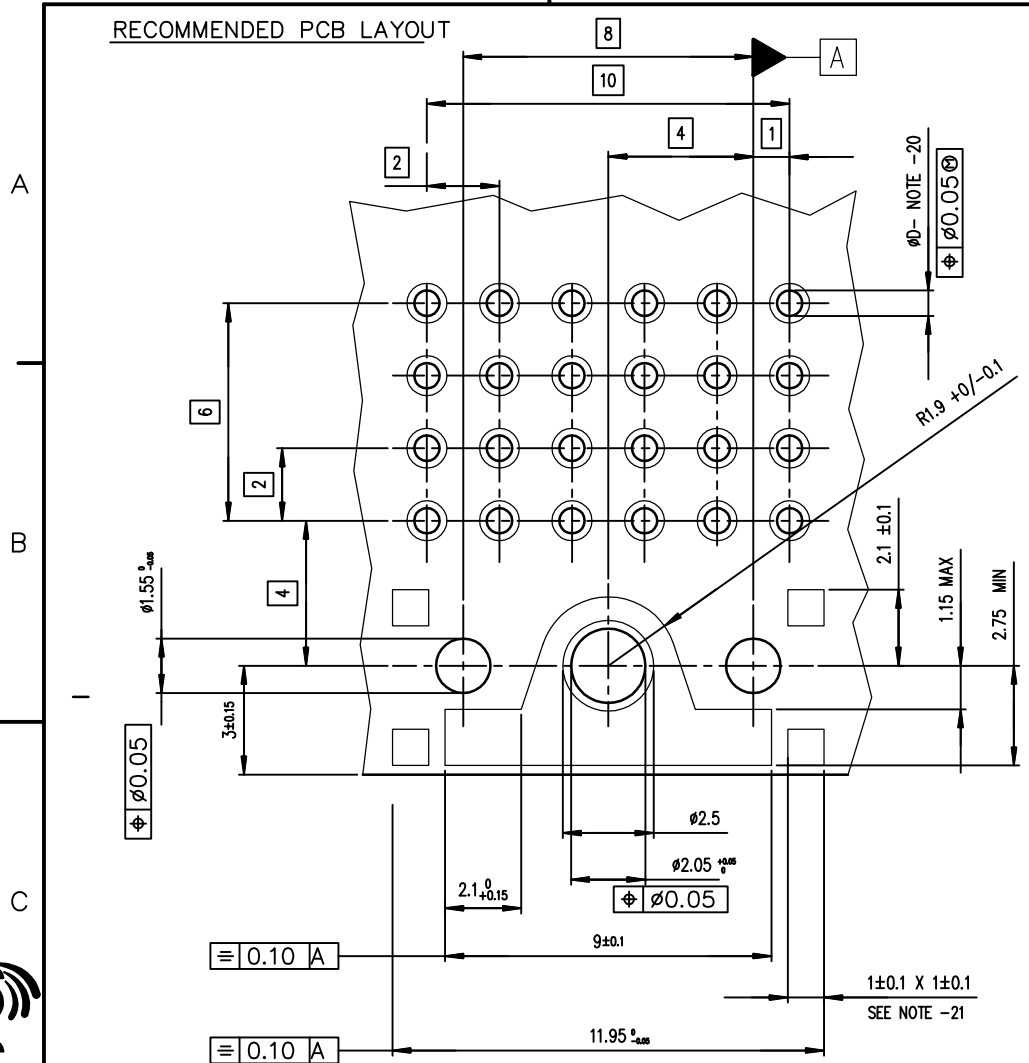
www.fciconnect.com		surface ISO 1302 ✓		tolerance std ISO 406 ISO 1101		projection		mm		
TOLERANCES UNLESS OTHERWISE SPECIFIED										
Dr	Heaven Cen	2010/05/21	ANGULAR	LINEAR	0.X	±0.3	size A3	Scale 4	mm	
Eng	Heaven Cen	2010/05/21			0.XX	±0.13				
Chr	PM Zheng	2010/05/21	0.XX	±2	0.XXX	±0.051	ECN			
Appr	Joseph Hsia	2010/05/21	Product family				METRAL	Spec ref -		
FCI		title METRAL RA HDR PIP CONVERG				dwg no 10114942		Rev. A		
		catalog no -				CUSTOMER		sheet 1 of 4		

rev	ecn no	dr	date
A	DG10-0186	CenH	2010/05/21

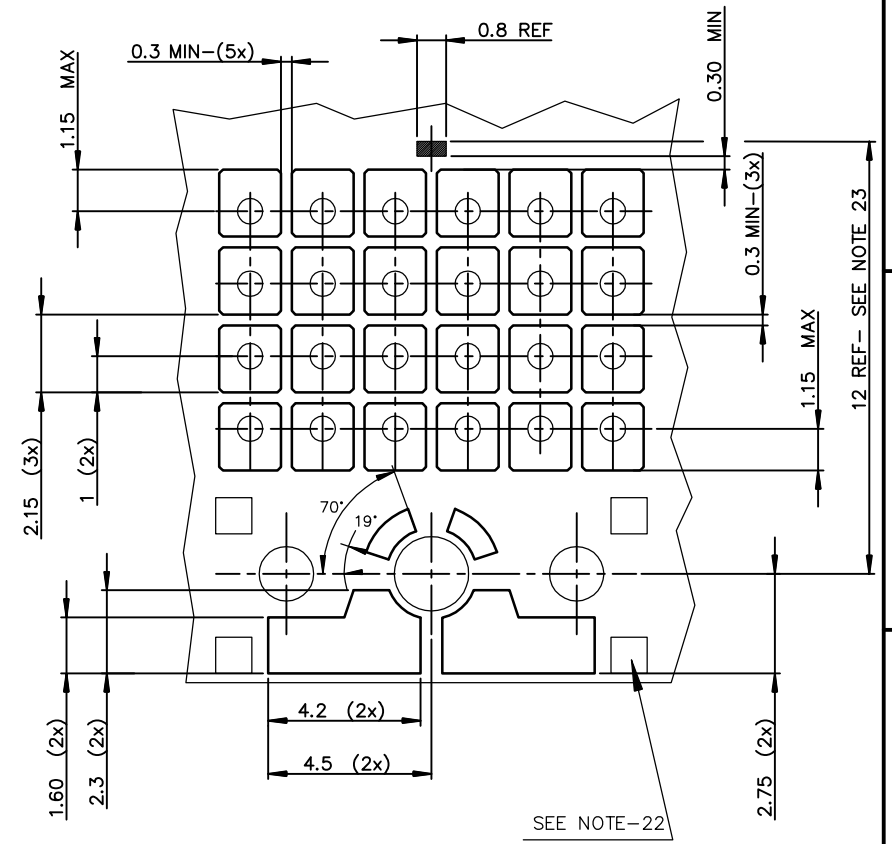


Copyright FCI

RECOMMENDED PCB LAYOUT



RECOMMENDED STENCIL LAYOUT



Copyright FCI

NOTE-20: PTH DIMENSIONS - ϕ
 - DRILL DIAMETER = (0.85 REF) and Plating
 - See Product Spec : GS-12-446

NOTE-21: 4 SQUARE REFERENCE PADS

NOTE-22: NO PASTE ALLOWED ON 4 REFERENCE PADS

NOTE-23: PRODUCT REAR SUPPORT LOCATION

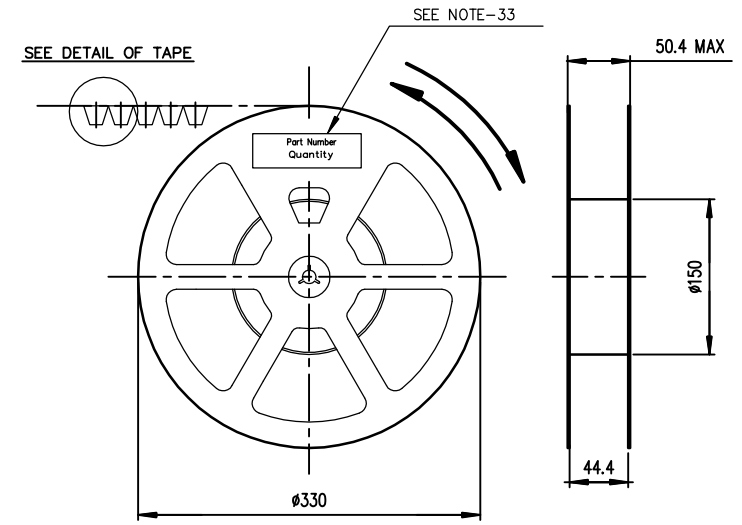
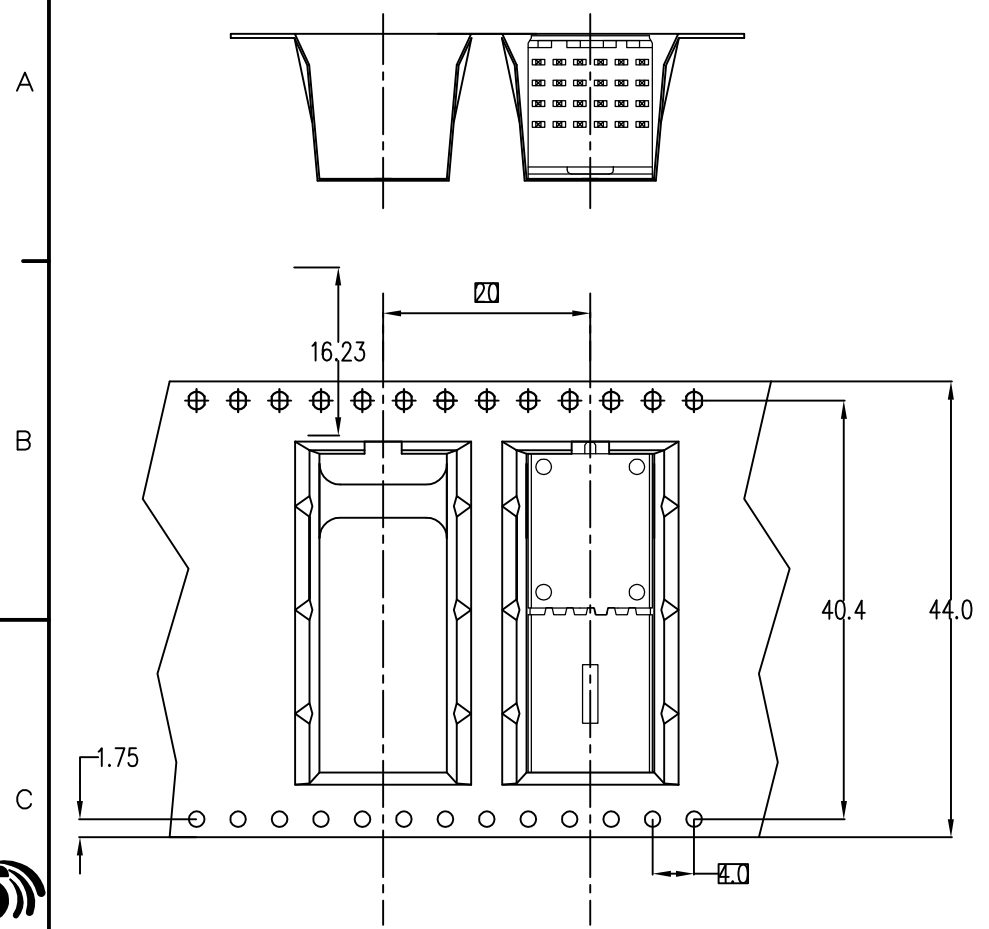
NOTE-24: RECOMMENDED PASTE THICKNESS = 0.15

OTHERS INFORMATIONS,SEE DRW SHEET 1/2/4

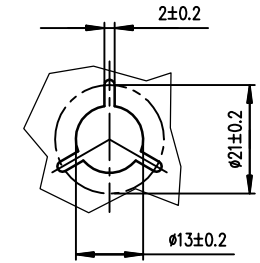
www.fciconnect.com		surface ISO 1302	tolerance std ISO 406 ISO 1101	projection mm
TOLERANCES UNLESS OTHERWISE SPECIFIED				
Dr	Heaven Cen	2010/05/21	ANGULAR	0.X ±0.3
Eng	Heaven Cen	2010/05/21	LINEAR	0.XX ±0.13
Chr	PM Zheng	2010/05/21	0.XX' ±2	0.XXX ±0.051
Appr	Joseph Hsia	2010/05/21	Product family	
			METRAL	Spec ref -
		title METRAL RA HDR PIP CONVERG NB 4X6 - WITH HDF		dwg no 10114942
		catalog no	-	CUSTOMER sheet 3 of 4
		Rev. A		

PACKAGING SPECIFICATION

DETAIL OF REEL SCALE 1/5



DETAIL OF REEL HUB SCALE 1/1



- NOTE-30: REF SPECIFICATION: EIA-481-B
- NOTE-31: TAPE MATERIAL: PVC ANTISTATIC
SURFACE RESISTIVITY 10^{12} OHMS/SQUARE AFTER HEAT FORMING
CARRIER P/N: 10097632-006 COVER TAPE P/N:10097632-007
- NOTE-32: PACKAGING QTY: PACKAGING MATERIAL DETAIL INFORMATION PLEASE REFER TO DRAWING OF 10097632
- QTY PER REEL(P/N:10097632-005) = 120 PCS
- QTY PER BOX (P/N:10097632-004) = 6 REELS = 720 PCS
- NOTE-33: LABEL FOR IDENTIFICATION: PART NUMBER,DATE-CODE,TRACABILITY INFORMATIONS
- NOTE-34: RECYCLABLE MATERIAL FOR REEL + ANTISTATIC TREATMENT

OTHERS INFORMATIONS,SEE DRW 58360 SHEET 1/2/3

European Views

www.fciconnect.com		surface ISO 1302	tolerance std ISO 406 ISO 1101	projection	mm
		TOLERANCES UNLESS OTHERWISE SPECIFIED			
Dr	Heaven Cen	2010/05/21	ANGULAR	0.X ±0.3	size A3
Eng	Heaven Cen	2010/05/21	LINEAR	0.XX ±0.13	Scale 2
Chr	PM Zheng	2010/05/21	0.XX ±2	0.XXX ±0.051	ECN
Appr	Joseph Hsia	2010/05/21	Product family METRAL		Spec ref -
	title METRAL RA HDR PIP CONVERG		dwg no 10114942		Rev. A
	catalog no -		CUSTOMER sheet 4 of 4		



Copyright FCI

Mouser Electronics

Authorized Distributor

Click to View Pricing, Inventory, Delivery & Lifecycle Information:

[FCI / Amphenol:](#)

[10114942-101LF](#)