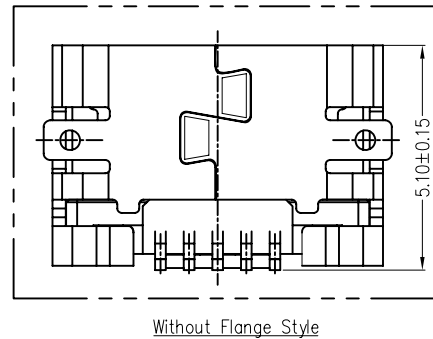
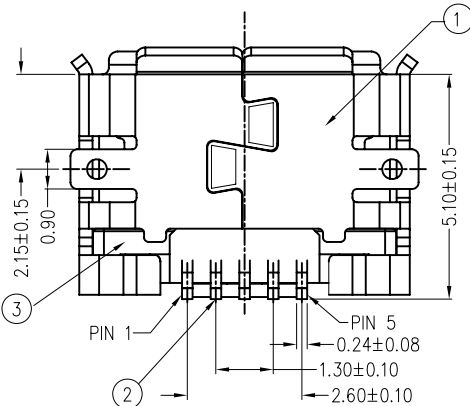
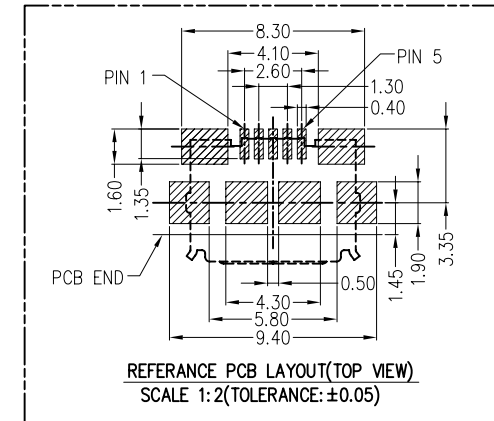
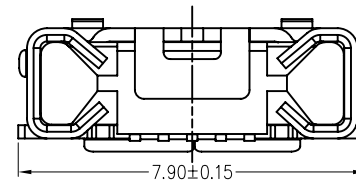
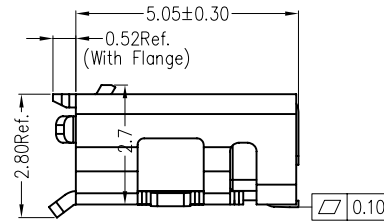
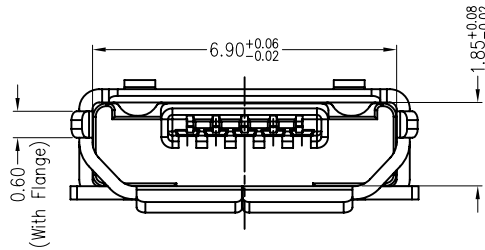


- NOTES:
- MATERIAL:
HOUSING: HIGH THERMOPLASTIC RESIN, UL94V-0, COLOR: BLACK
TERMINAL: COPPER ALLOY
SHELL: STAINLESS
 - FINISH:
CONTACT AREA: GOLD PLATED
CONTACT SOLDER AREA: GOLD FLASH
SHELL: MATTE TIN PLATED
UNDER NICKEL PLATED ALL OVER.
 - PRODUCT SPECIFICATION: GS-12-641.
 - PACKAGING SPECIFICATION: GS-14-2180.
 - THE "LF" MEANS FOR LEAD FREE AND CAN WITHSTAND EXPOSE TO 260°C PEAK TEMPERATURE FOR 10 SECONDS IN IR REFLOW PROCESS.
 - PART NUMBER: 10118192-000 X LF

- 1- WHIT FLANGE
- 2- WITHOUT FLANGE



Item	Title	Q'TY
1	Shell	1
2	Terminal	5
3	InsertMolding	1

mat'l. code		surface ASME Y14.5 ✓		tolerance ASME Y14.5		projection MM		product family USB	
litr		ecn no		date		tolerances unless otherwise specified		title	
A		LS		10/21/11		.X±0.38		MICRO USB B TYPE RECEPTACLE	
B		ELX-N-20835 Nick		5/07/15		.XX±0.25		sheet 1 of 1	
						angles		size A4	
						X*±2*		10118192	
						.XXX±0.10		type CUSTOMER Drawing	
				dr		JASON HSU 05/21/11		FCI	
				enrg		JASON HSU 05/21/11			
				chr		JASON HSU 05/21/11			
				appd		GARY HSIEH 05/21/11			
sheet index		revision sheet		B					
		1							

Mouser Electronics

Authorized Distributor

Click to View Pricing, Inventory, Delivery & Lifecycle Information:

[FCI / Amphenol:](#)

[10118192-0001LF](#) [10118192-0002LF](#)