

1

2

3

4

A

B

C

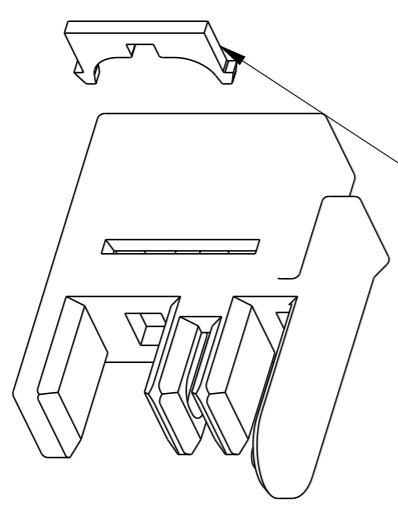
D

A

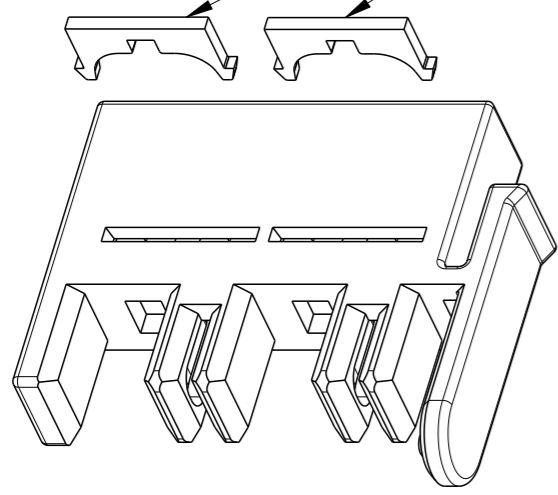
B

C

D



2 POSITION WTB HOUSING KIT



4 POSITION WTB HOUSING KIT

TERMINAL LOCKS

PART NO	DESCRIPTION	HOUSING QTY	LOCK QTY	PACK QTY
10120045-K02LF	2 POS HSG KIT	1	1	1000 nos
10120045-K04LF	4 POS HSG KIT	1	2	1000 nos

NOTE :-

1. HOUSINGS AND LOCKS TO BE BULK PACKED SEPARATELY IN A BAG (OR MULTIPLE BAGS) AND THEN PACKED TOGETHER.
2. FOR ADDITIONAL INFORMATION ON HOUSINGS AND LOCKS REFER DWG 10120045-H0X & 10120045-L01.
3. LEAD FREE OR RoHS DIRECTIVE LABELING TO BE PROVIDED AS PER GS-14-920
4. "LF" SUFFIX TO THE PRODUCT NUMBER FOR RoHS COMPATIBLE/LEADFREE VERSION.
5. THIS PRODUCT MEETS EUROPEAN UNION DIRECTIVES AND OTHER COUNTRY REGULATIONS AS DESCRIBED IN GS-47-0004
6. THIS PRODUCT HAS NOT COMPLETED VALIDATION TESTING.

PRELIMINARY



Copyright FCI.

spec ref -		dr Mathew Jacob	2015/03/30	projection	MM	size A3	scale 13:1
tolerance std ISO 406 ISO 1101		TOLERANCES UNLESS OTHERWISE SPECIFIED				ecn no -	
surface -		eng Mathew Jacob	2015/07/06			product family ROTACONNECT	
ISO 1302	linear	0.X	±0.20		CTW HOUSING KIT		dwg no 10120045-K0Xc rev 1
		0.XX	±0.10		WIRE TO BOARD CONNECTOR		
		0.XXX	±0.05		SEE TABLE		
angular	0°	±2°	www.fci.com	cat. no.	Product - Customer Drw	sheet 1 of 1	

Mouser Electronics

Authorized Distributor

Click to View Pricing, Inventory, Delivery & Lifecycle Information:

[FCI / Amphenol:](#)

[10120045-K02LF](#) [10120045-K04LF](#)