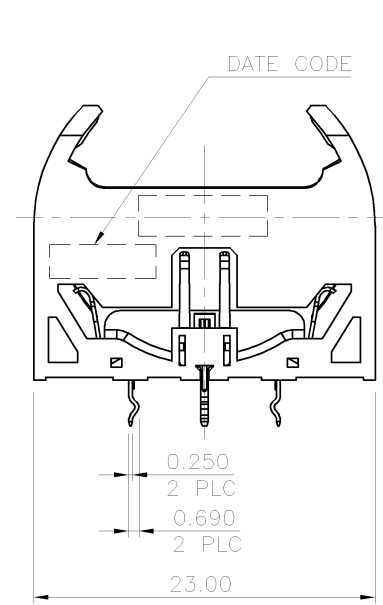
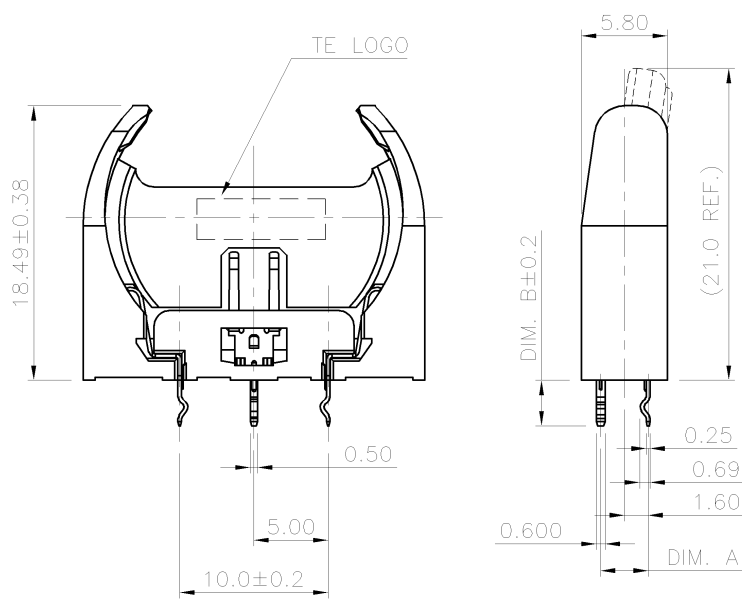


LOC DW

DIST

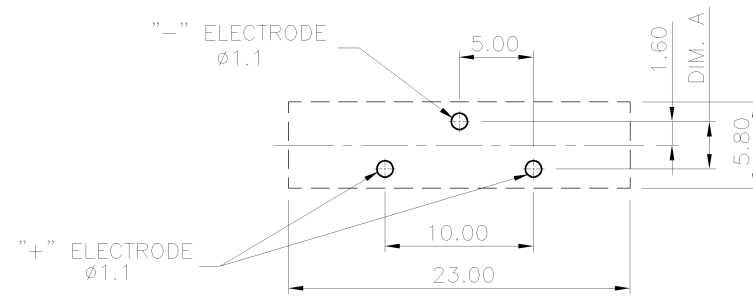
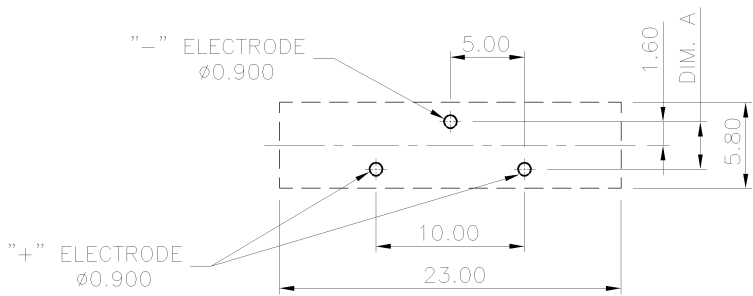
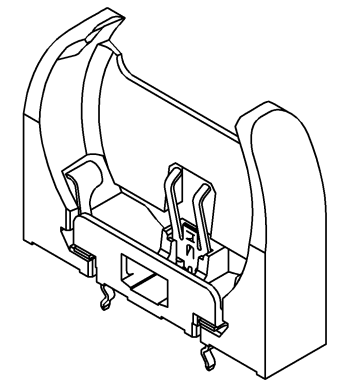
REVISIONS

P	LTR	DESCRIPTION	DATE	DWN	APVD
A6		REVISED (ECR-12-021399)	21DEC12	JL	WK



NOTES :

- MATERIAL :
  - HOUSING: NY66 WITH 25% GF, UL94 V-0, COLOR: SEE TABLE
  - CONTACT: STAINLESS STEEL
- FINISH :
  - CONTACT
    - GOLD FLASH PLATING ON CONTACT AREA, 2.54um [100u"] MIN. MATTE-TIN PLATING ON SOLDERING AREA. 0.76um [30u"] MIN. NICKEL UNDERPLATING OVERALL.
- WAVE SOLDER CAPABLE TO 265°C PER TE SPEC. 109-202, CONDITION B.
- RECOMMENDED PCB THICKNESS: 1.6mm
- SUITABLE FOR BATTERY NO.: CR2032.
- LOW PCB RETENTION FORCE.



RECOMMENDED PCB HOLE LAYOUT  
PCB TOLERANCE ±0.05

RECOMMENDED PCB HOLE LAYOUT  
PCB TOLERANCE ±0.05

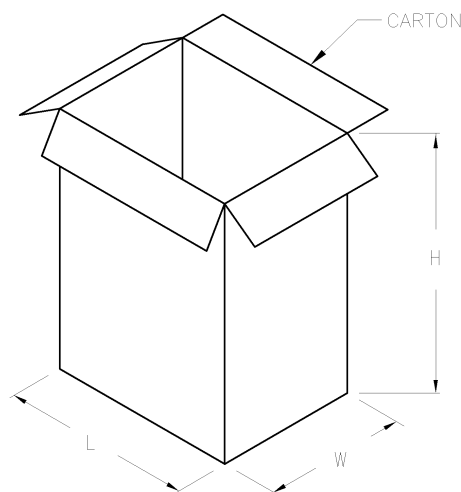
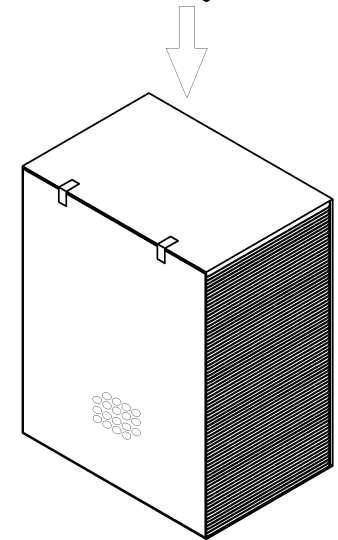
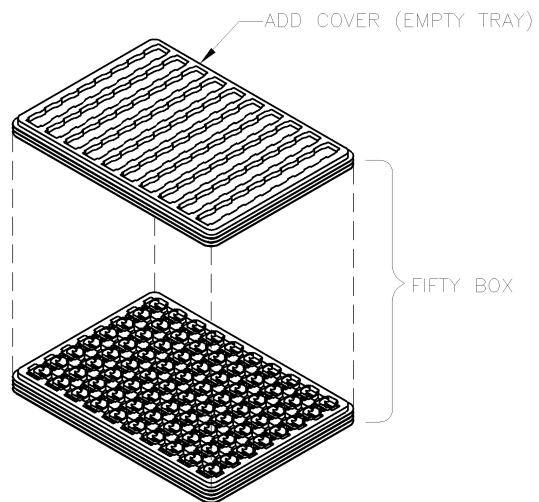
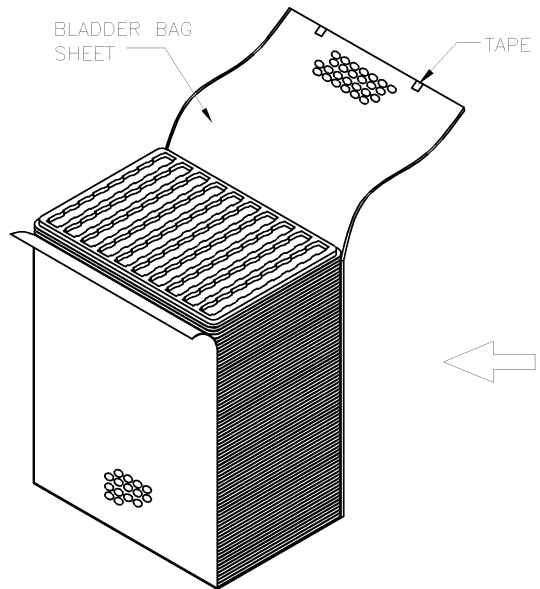
3.6 mm	3.6 mm	BLACK	2-1775485-1
3.0 mm	3.2 mm	2718C BLUE	1-1775485-2
		BLACK	1-1775485-1
3.0 mm	3.6 mm	2718C BLUE	1775485-2
		BLACK	1775485-1
DIM B	DIM A	HOUSING COLOR	PART NO.

THIS DRAWING IS A CONTROLLED DOCUMENT.		DWN S. CHIEN 03JUN2008	<p>TE Connectivity</p> <p>BATTERY HOLDER, H=18.5mm, V/T</p>									
DIMENSIONS: MM		CHK S. CHIEN 03JUN2008										
TOLERANCES UNLESS OTHERWISE SPECIFIED:		APVD W. KODAMA 03JUN2008										
<table border="1"> <tr><td>0 PLC</td><td>± -</td></tr> <tr><td>1 PLC</td><td>± 0.38</td></tr> <tr><td>2 PLC</td><td>± 0.25</td></tr> <tr><td>3 PLC</td><td>± 0.15</td></tr> <tr><td>4 PLC ANGLES</td><td>± - ± 2'</td></tr> </table>		0 PLC		± -	1 PLC	± 0.38	2 PLC	± 0.25	3 PLC	± 0.15	4 PLC ANGLES	± - ± 2'
0 PLC	± -											
1 PLC	± 0.38											
2 PLC	± 0.25											
3 PLC	± 0.15											
4 PLC ANGLES	± - ± 2'											
MATERIAL SEE NOTE		FINISH SEE NOTE	PRODUCT SPEC									
		QUALIFICATION TEST REPORT	108-57542									
		WEIGHT	501-57624									
		CUSTOMER DRAWING	1.19 GRAMS									
		SCALE	A3 00779 C=1775485									
		SHEET	1 of 2									
		REV	A6									

LOC DW

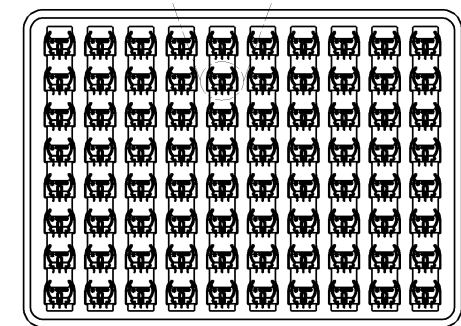
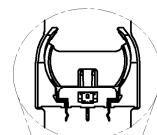
P		LTR	DESCRIPTION	DATE	DWN	APVD
			SEE SHEET 1.			

REVISIONS



NOTES :

- 1. MATERIAL:
  - 1.1 TRAY: PVC
  - 1.2 SHIPPING CARTON: CORRUGATED FIBERBOARD
- 2. DIMENSION:
  - 2.1 TRAY: L=345, W=250, H=7.4
  - 2.2 SHIPPING CARTON: L=365, W=270, H=325
- 3. QUANTITY:
  - 3.1 PRIMARY PACKING: 80 PCS/TRAY
  - 3.2 SECONDARY PACKING: 50 TRAY/CARTON(4,000PCS)
- 4. CARTON WEIGHT:
  - 4.1 NET WEIGHT: 4.76 KG
  - 4.2 GROSS WEIGHT: 8.26 KG



THIS DRAWING IS A CONTROLLED DOCUMENT.		DWN	<b>STE</b> TE Connectivity		
DIMENSIONS: MM		CHK			
TOLERANCES UNLESS OTHERWISE SPECIFIED:		APVD	NAME		
0 PLC ± .		PRODUCT SPEC	BATTERY HOLDER, H=18.5mm, V/T		
1 PLC ± .		APPLICATION SPEC	SIZE	CAGE CODE	DRAWING NO
2 PLC ± .		WEIGHT	A3	00779	C=1775485
3 PLC ± .		CUSTOMER DRAWING	SCALE		SHEET 2 of 2
4 PLC ± .					REV A6
ANGLES ± .					
FINISH					

# Mouser Electronics

Authorized Distributor

Click to View Pricing, Inventory, Delivery & Lifecycle Information:

[TE Connectivity:](#)

[2-1775485-1](#)