

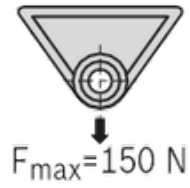
Slide hanger, spring hook



- Slide hanger
- Slide hanger as an inexpensive solution for sliding tool hangers
- Max. load: 150 N
- Guide in the 10 mm profile slot
- Sliding block can be used as a stopper

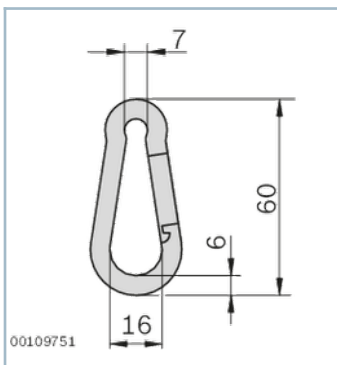
- Spring hook
- Spring hook for fastening tools to the slide hanger:
 - Quick and easy to change

Technical data

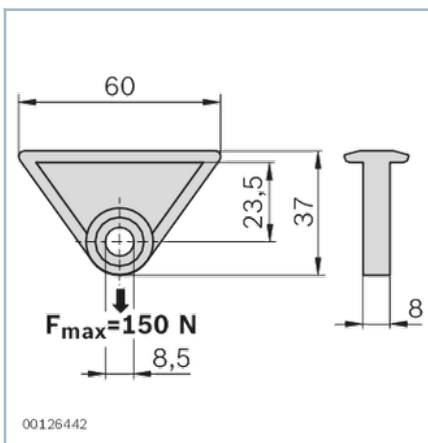


Dimensions

Spring hook



Slide hanger



Accessories

Recommended accessories

Sliding block as a stopper

Ordering codes

	No.
Spring hook	0842901309
Slide hanger	3842218953