

# MICRO SWITCH

FREEPORT ILLINOIS, U.S.A  
A DIVISION OF HONEYWELL  
FED. MFG. CODE 91929

# SWITCH-BASIC

CATALOG LISTING  
**BA-2RV-A4**

**ABN7506**

BA-2RV-A4  
PAGE 1 OF 1

**M**

DRAWING  
NUMBER

6

ISSUE

REPLACES

RELEASE NO. PR-6975

CHECK

REVISIONS

|   |               |                   |
|---|---------------|-------------------|
| A | CO<br>51554   | TSK<br>19 JULY 82 |
| B | CO<br>73287-6 | JAL<br>20 OCT 93  |
| C | CO<br>77588   | KDR<br>29 MAR 94  |
| D | CO93346       | DLT<br>26 AUG 98  |
| E | 0018387       | TSG<br>18 JAN 06  |

CHECK

14 FEB 78

CHECK

14 FEB 78

CHECK

14 FEB 78

CHECK

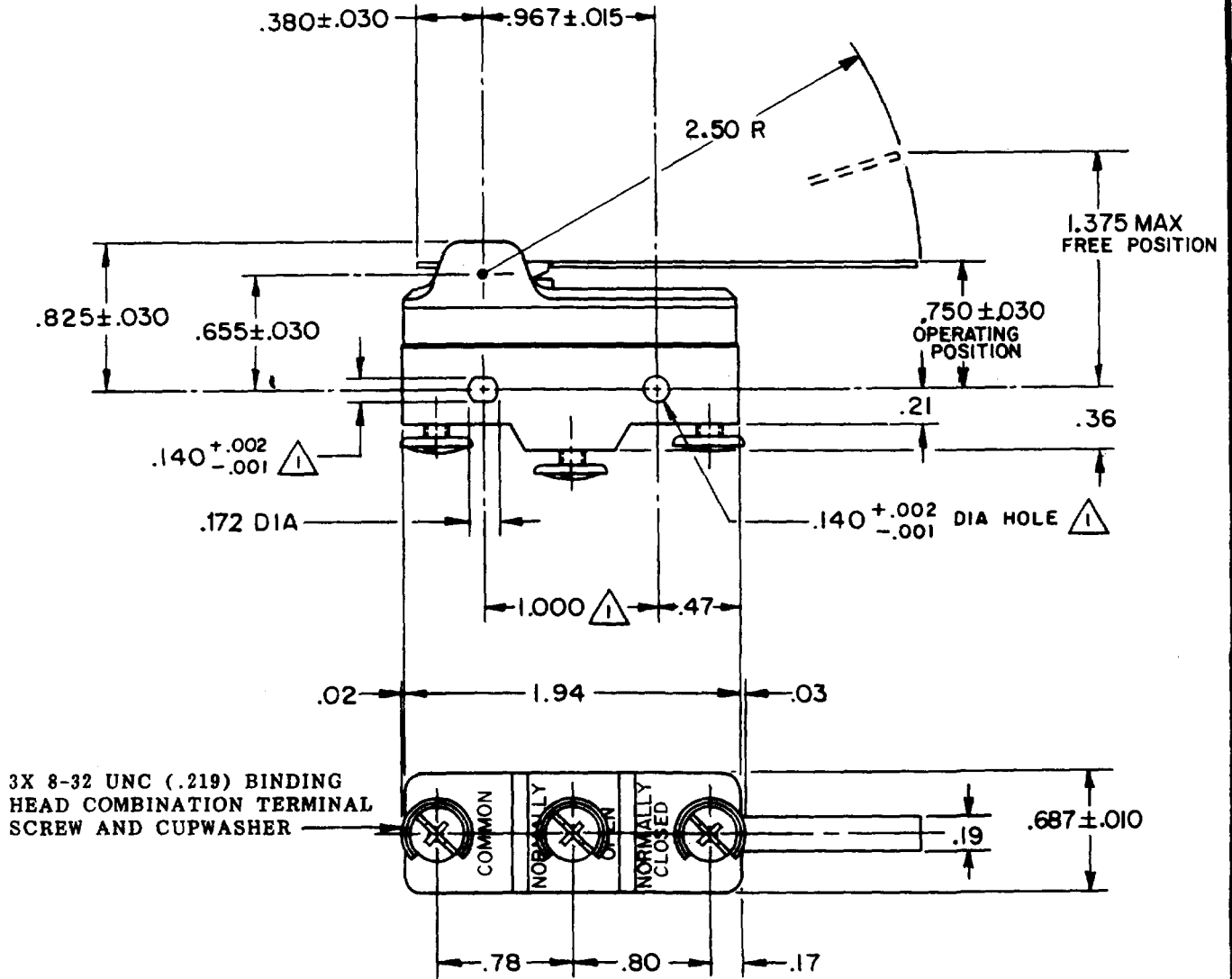
14 FEB 78

CHECK

14 FEB 78

CHECK

14 FEB 78



3X 8-32 UNC (.219) BINDING  
HEAD COMBINATION TERMINAL  
SCREW AND CUPWASHER

**NOTE**  
MOUNTING HOLES WILL ACCEPT PINS OR SCREWS  
OF .139 MAX DIA ON 1.000 CENTERS

THIS DRAWING COVERS A PROPRIETARY ITEM AND IS THE PROPERTY OF MICRO SWITCH, A DIVISION OF HONEYWELL. THIS DRAWING IS NOT TO BE COPIED OR USED WITHOUT THE APPROVAL OF MICRO SWITCH.

THIRD ANGLE PROJECTION

| CHARACTERISTICS                  |
|----------------------------------|
| OPERATING FORCE --- 2 1/2 OZ MAX |
| RELEASE FORCE --- 1/2 OZ MIN     |
| PRETRAVEL --- .625 MAX           |
| DIFFERENTIAL TRAVEL --- .109 MAX |
| OVERTRAVEL --- .078 MIN          |

| ELECTRICAL DATA  |
|--|
| CONTACT ARRANGEMENT<br>S P D T   |
| CODE L23<br>20A-125, 250 OR 480 VAC; 10A-125 VAC "L"<br>1HP-125 VAC; 2HP-250 VAC<br>1/2A-125 VDC; 1/4A-250 VDC |
| L288<br>L308<br>L315   |
| 20(3)A 250V ~ T85 5E4  |

| SCALE FULL   |        |           |           |      |    |       |    |       |           |   |      |     |           |      |         |       |            |       |           |         |              |        |  |           |        |  |  |  |
|--|--------|-----------|-----------|------|----|-------|----|-------|-----------|---|------|-----|-----------|------|---------|-------|------------|-------|-----------|---------|--------------|--------|--|-----------|--------|--|--|--|
| DO NOT SCALE PRINT   |        |           |           |      |    |       |    |       |           |   |      |     |           |      |         |       |            |       |           |         |              |        |  |           |        |  |  |  |
| TOLERANCES<br>APPLY TO DESIGN UNITS. CONVERSIONS ARE ONLY FOR<br>REFERENCE. UNLESS NOTED TOLERANCES ARE X  |        |           |           |      |    |       |    |       |           |   |      |     |           |      |         |       |            |       |           |         |              |        |  |           |        |  |  |  |
| <table border="1"> <thead> <tr> <th>DIM.</th> <th>TOL.</th> <th>DIM.</th> <th>TOL.</th> </tr> <tr> <th>mm</th> <th>mm/in</th> <th>in</th> <th>mm/in</th> </tr> </thead> <tbody> <tr> <td>NO PLACES</td> <td>X</td> <td>1/04</td> <td>X X</td> </tr> <tr> <td>ONE PLACE</td> <td>X, X</td> <td>0.4/016</td> <td>X X X</td> </tr> <tr> <td>TWO PLACES</td> <td>X, XX</td> <td>0.157/005</td> <td>X X X X</td> </tr> <tr> <td>THREE PLACES</td> <td>X, XXX</td> <td></td> <td>X X X X X</td> </tr> <tr> <td>ANGLES</td> <td></td> <td></td> <td></td> </tr> </tbody> </table> | DIM.   | TOL.      | DIM.      | TOL. | mm | mm/in | in | mm/in | NO PLACES | X | 1/04 | X X | ONE PLACE | X, X | 0.4/016 | X X X | TWO PLACES | X, XX | 0.157/005 | X X X X | THREE PLACES | X, XXX |  | X X X X X | ANGLES |  |  |  |
| DIM.   | TOL.   | DIM.      | TOL.      |      |    |       |    |       |           |   |      |     |           |      |         |       |            |       |           |         |              |        |  |           |        |  |  |  |
| mm   | mm/in  | in        | mm/in     |      |    |       |    |       |           |   |      |     |           |      |         |       |            |       |           |         |              |        |  |           |        |  |  |  |
| NO PLACES  | X      | 1/04      | X X       |      |    |       |    |       |           |   |      |     |           |      |         |       |            |       |           |         |              |        |  |           |        |  |  |  |
| ONE PLACE  | X, X   | 0.4/016   | X X X     |      |    |       |    |       |           |   |      |     |           |      |         |       |            |       |           |         |              |        |  |           |        |  |  |  |
| TWO PLACES   | X, XX  | 0.157/005 | X X X X   |      |    |       |    |       |           |   |      |     |           |      |         |       |            |       |           |         |              |        |  |           |        |  |  |  |
| THREE PLACES   | X, XXX |           | X X X X X |      |    |       |    |       |           |   |      |     |           |      |         |       |            |       |           |         |              |        |  |           |        |  |  |  |
| ANGLES   |        |           |           |      |    |       |    |       |           |   |      |     |           |      |         |       |            |       |           |         |              |        |  |           |        |  |  |  |
| DESIGN UNITS <input type="checkbox"/> SI METRIC <input type="checkbox"/> US CUSTOMARY <input checked="" type="checkbox"/>  |        |           |           |      |    |       |    |       |           |   |      |     |           |      |         |       |            |       |           |         |              |        |  |           |        |  |  |  |
| WEIGHT   |        |           |           |      |    |       |    |       |           |   |      |     |           |      |         |       |            |       |           |         |              |        |  |           |        |  |  |  |

FORMTEK  
FO-52848-A  
DRAWN

S L B 13 FEB 78