

# Customer Information Sheet

DRAWING No.: M52-510XX45

SHEET 3 OF 3

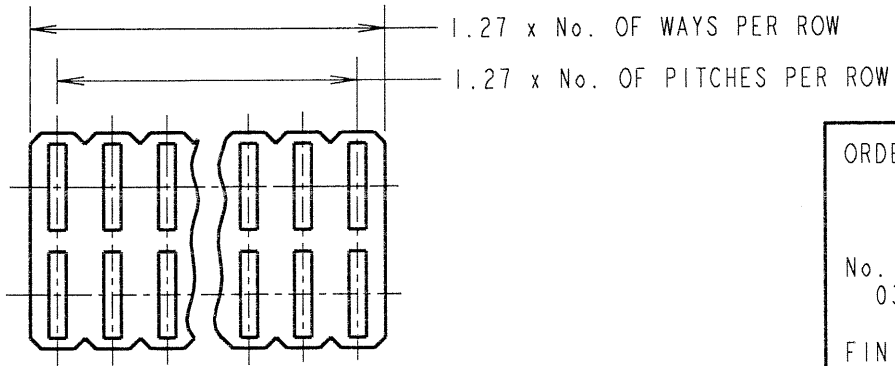
IF IN DOUBT - ASK

©

NOT TO SCALE

THIRD ANGLE PROJECTION

ALL DIMENSIONS IN mm



ORDER CODE:

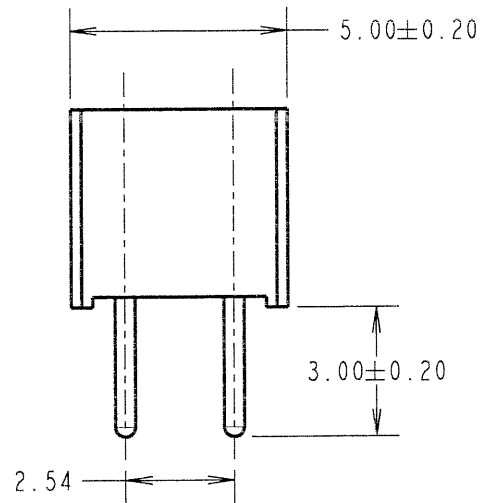
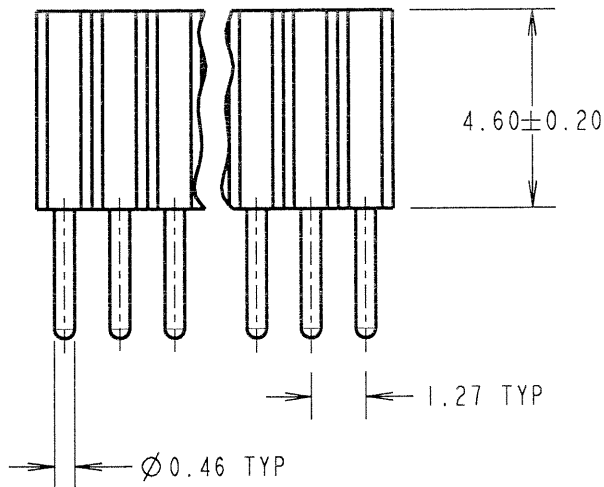
**M52-510XX45**

No. OF WAYS PER ROW  
03 TO 50

FINISH: GOLD

**SPECIFICATIONS:**

MATERIAL:  
 MOULDING = NYLON 6T UL94V-0, BLACK  
 CONTACT = PHOSPHOR BRONZE  
 FINISH:  
 CONTACT = GOLD  
 ELECTRICAL:  
 CURRENT RATING = 1A  
 VOLTAGE PROOF = 500V AC/DC  
 CONTACT RESISTANCE = 20 MILLIOHMS MAX  
 INSULATION RESISTANCE = 5,000 MEGOHMS MIN  
 ENVIRONMENTAL:  
 OPERATING TEMPERATURE = -55°C TO +105°C  
 PACKING:  
 TUBE



**NOTES:**

1. RECOMMENDED PCB HOLE SIZE =  $\varnothing 0.60 \pm 0.20$ mm.
2. MAXIMUM MATING PIN LENGTH = 3.00mm.

| JMB            | 5          | 20.02.06 | 9046   |
|----------------|------------|----------|--------|
| NAME           | ISS.       | DATE     | C/NOTE |
| APPROVED:      |            |          |        |
| CHECKED:       |            |          |        |
| DRAWN:         | J. ENRIGHT |          |        |
| CUSTOMER REF.: |            |          |        |
| ASSEMBLY DRG:  |            |          |        |

**HARWIN**

THIS DRAWING AND ANY INFORMATION OR DESCRIPTIVE MATTER SET OUT HEREON ARE CONFIDENTIAL AND COPYRIGHT PROPERTY OF THE HARWIN GROUP AND MUST NOT BE DISCLOSED, LOANED, COPIED OR USED FOR MANUFACTURING, TENDERING OR FOR ANY OTHER PURPOSE WITHOUT THEIR WRITTEN PERMISSION.

**TOLERANCES**

X. =  $\pm 1$ mm  
 X.X =  $\pm 0.25$ mm  
 X.XX =  $\pm 0.10$ mm  
 X.XXX =  $\pm 0.01$ mm

ANGLES =  $\pm 5^\circ$   
 UNLESS STATED

**MATERIAL:**

SEE ABOVE

**FINISH:**

SEE ABOVE

**S/AREA:**

mm<sup>2</sup>

**TITLE:**

1.27mm PITCH DIL  
 VERTICAL PC TAIL SOCKET ASSY

**DRAWING NUMBER:**

**M52-510XX45**

SHT  
 3  
 OF  
 3

HARWIN INC  
 U.S.A.  
 TEL: (812) 542 2540  
 FAX: (812) 542 2541

HARWIN PLC  
 U.K.  
 TEL: 023 9231 4545  
 FAX: 023 9231 4590

HARWIN PTE  
 SINGAPORE  
 TEL: 65 6779 4909  
 FAX: 65 6779 3868