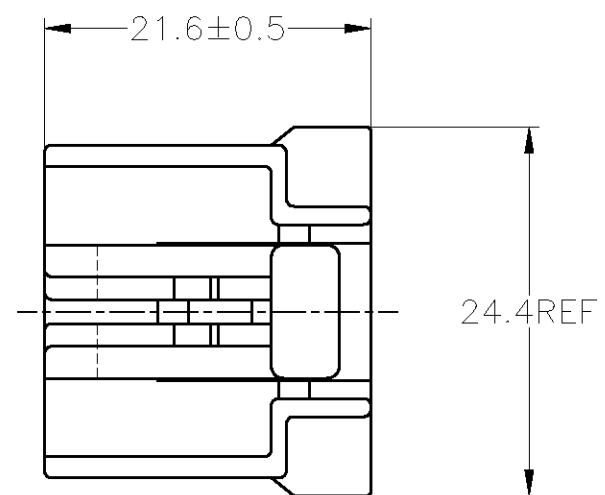
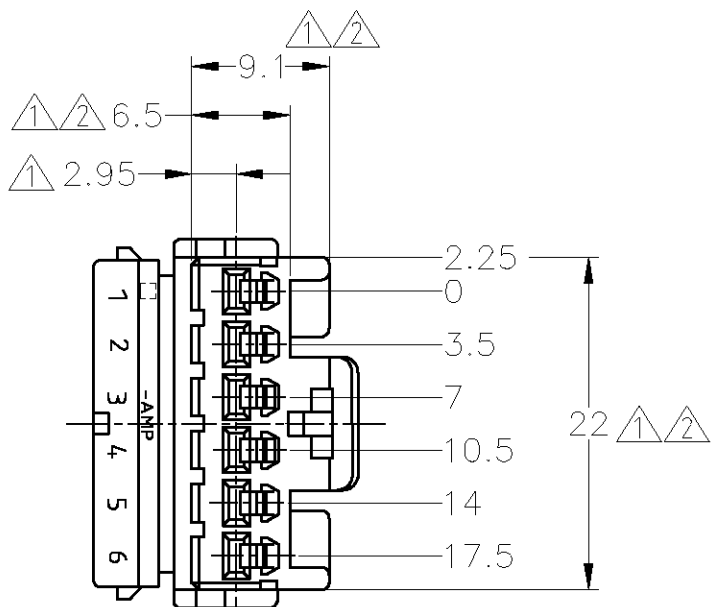


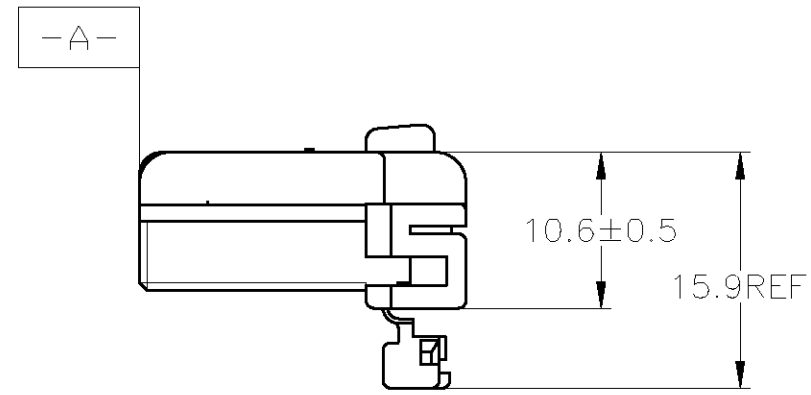
THIS DRAWING IS UNPUBLISHED. RELEASED FOR PUBLICATION
 © COPYRIGHT - By - ALL RIGHTS RESERVED.

LOC	DIST	REVISIONS					
J	-	P	LTR	DESCRIPTION	DATE	DWN	APVD
		E2		REDRAWN W/CHANGE	ECR-12-021403	13DEC2012	TS KB



- △ MUST BE KEPT BETWEEN [-A-] AND 2
- △ TO BE MATED WITH THE CAP HOUSING SMOOTHLY
- 3. APPLIED RECEPTACLE CONTACT PART NUMBER; 173630 AND 173631
- 4. APPLIED CAP HOUSING; 174930, etc.

- △ [-A-] 面より2mmの範囲で測定
- △ 相手ハウジングと所定の機能を満足して嵌合できること
- 3. 内装するリセプタクルコンタクト型番173630 及び 173631
- 4. 嵌合相手ハウジング型番; 174930 他



V-2	自然色 (NATURAL)	1-174923-1
HB	黄 (YELLOW)	174923-7
	灰 (GRAY)	174923-6
	青 (BLUE)	174923-5
	緑 (GREEN)	174923-4
	黒 (BLACK)	174923-2
	自然色 (NATURAL)	174923-1
使用材料難燃グレード (FLAMMABILITY OF MATERIAL)		色 (COLOR) 型番 (PART NUMBER)

THIS DRAWING IS A CONTROLLED DOCUMENT.		DWN T.SHINOHARA 13DEC2012	TE Connectivity	
DIMENSIONS: 単位: 耗 mm		CHK K.BETSUI 13DEC2012		
TOLERANCES UNLESS OTHERWISE SPECIFIED: 一般公差		APVD K.BUTSUI 13DEC2012	NAME 名称	
0 PLC ±- 1 PLC ±- 2 PLC ±- 3 PLC ±- 4 PLC ±- ANGLES ±-		PRODUCT SPEC 製品規格 108-5264	070 SERIES MULTI-LOCK CONNECTOR 6POSITION PLUG HOUSING	
MATERIAL 材料 PBT		FINISH 仕上 -	APPLICATION SPEC 取付適用規格 -	RESTRICTED TO -
TOLERANCES UNLESS OTHERWISE SPECIFIED: 一般公差		WEIGHT -	SIZE A3	CAGE CODE 00779
10± : ±0.2 30± > 10 : ±0.25 100± > 30 : ±0.3 ANGLE : ±3°		DRAWING NO 番号 C-174923		SCALE 尺度 2:1
CUSTOMER DRAWING			SHEET 1 OF 1	REV E2

Mouser Electronics

Authorized Distributor

Click to View Pricing, Inventory, Delivery & Lifecycle Information:

[TE Connectivity:](#)

[1-174923-1](#)