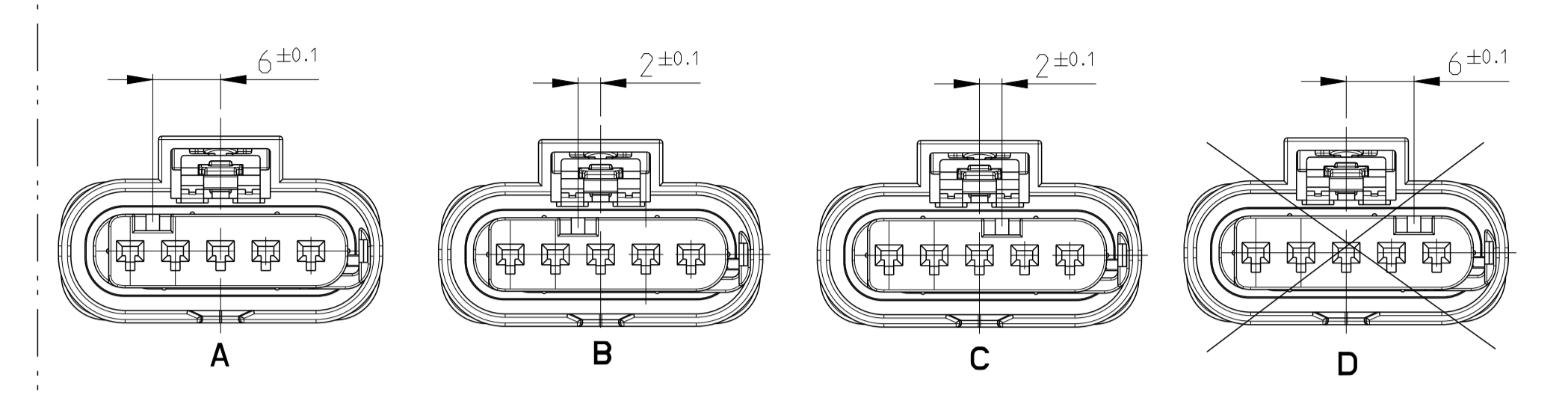


**CODINGS
Kodierungen
M 2:1**



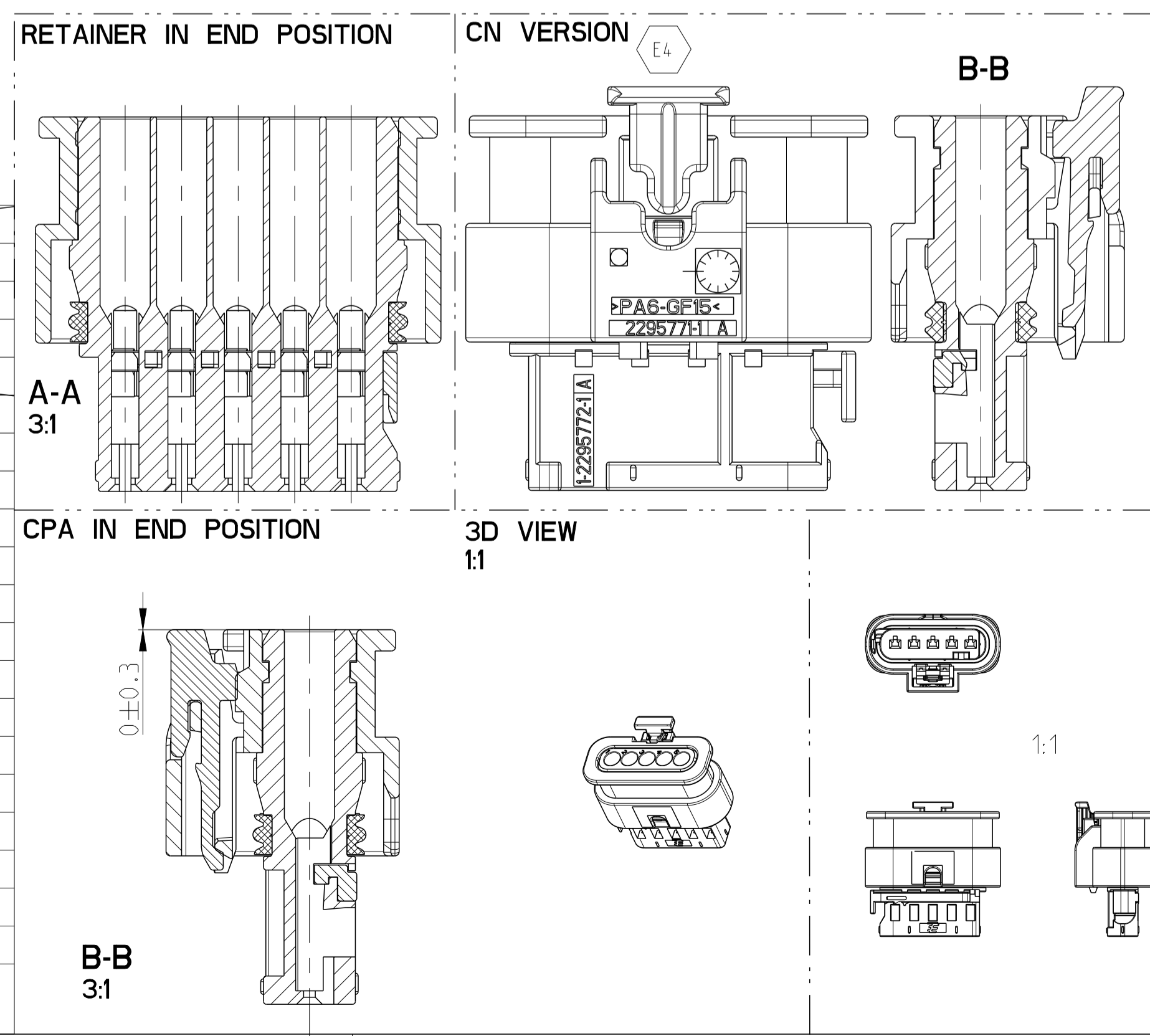
REVISIONS				
P	LTN	DESCRIPTION	DATE	OWN APVD
E1	3-1718806-1	ADDED TO BOM	22JUN2017	SZN RT
E2		LASERPRINT UPDATED WITH CN MANUF	13FEB2018	SZN RT
E3		DIVERGENT VERSION ADDED	10AUG2018	LSZ SZN
E4		LASER PRINT UPDATED WITH CN LOCATION	06AUG2019	SZN LSZ

NOTES:
Bemerkungen:

- ONLY THE GERMAN LANGUAGE VERSION IS AUTHORITY. Massgebend ist nur der deutsche Text.
- AREA FOR PRINT. Bereich für Bedruckung.
- USABLE CONTACTS MCON 1.2. SEE TE Connectivity -NO. 1452674, VERSION SINGLE WIRE SEAL. Verwendbare Kontakte MCON 1.2 siehe TE Connectivity -Zeichnung 1452674, Ausführung Einzeldichtung.
- MAX. WIRE SIZE RANGE 1.0 mm² FLR PERMITTED FOR CAVITY-Ø 3.5MM. QUANTITY SEE WIRE HARNESS DRAWING. FOR PERMISSIBLE CURRENT CARRYING CAPACITY OF THE SINGLE CONTACT SEE PRODUCT SPECIFICATION NO.108-18782 max. zulaessiger Leitungsquerschnitt 1,0 mm² FLR, für Kammer-Ø 3,5mm die Stückzahl ist im Leitungssatz festgelegt die zulaessige Strombelastbarkeit für die einzelnen Kontakte ist der Spezifikation 108-18782 zu entnehmen.
- SUPPLIER-MARK. Lieferantenkennzeichnung.
- SPACE OF ACTIVITY. Betaetigungsfreiraum.
- SUPPLY CONDITION: CPA IN PRELOCKED POSITION. Auslieferungszustand: Gehauesesicherung in Vorraststellung.
- SUPPLY CONDITION: RETAINER IN PRELOCKED POSITION. Auslieferungszustand: Zweite Kontaktsicherung in Vorraststellung.
- WARPAGE PERMITTED TO MAX. -0.5mm. Verzug zulaessig bis max. -0.5mm.
- TE CONNECTIVITY ORDER-NO. TE Connectivity Bestell-Nr.
- ACCORDING TO INTERFACE DRAWING SEE TE-NO. 114-18679-3. Passend zur Schnittstellen-Zeichnung siehe TE-Nr. 114-18679-3.
- ASSEMBLY LINE SEGMENT IDENTIFICATION. Markierung für Segment der Assembly Anlage.
- DATE CODE (DDYY). Datum Kodierung (TTJJ).
- OPTIONAL-DIVERGENT MARKING FOR PARTS FROM CHINESE AND U.S. PRODUCTION. Abweichende Beschriftung zulaessig fuer Teile aus China und U.S. Produktion.

CODING A AS SHOWN
Kodierung A wie gezeichnet

TE-ORDER-NO.	COD	TITLE	REV	QTY	TITLE	MATERIAL	SURFACE/COLOUR	ITEM
4-1718806-1	D	5pos. MCON 1.2 - LL Connector, Sealed	D	1	MCON 1.2 - CPA	PA46-GF15	GRAY SIML. TO RAL 7037	5
				1	5pos. MCON 1.2 - Seal	MVQ-30	NATURE	4
				1	5pos. MCON 1.2 - Retainer	PA66-GF15	VIOLETT SIML. TO RAL 4006	3
				1	5pos. MCON 1.2 - Protec. Cover	PA6-GF45	VIOLETT SIML. TO RAL 9011	2
				1	5pos. MCON 1.2 - Recept. Hsg	PA66-GF30	GRAY SIML. TO RAL 4004	1
3-1718806-1	C	5pos. MCON 1.2 - LL Connector, Sealed	E	1	MCON 1.2 - CPA	PA46-GF15	GRAY SIML. TO RAL 7037	5
				1	5pos. MCON 1.2 - Seal	MVQ-30	NATURE	4
				1	5pos. MCON 1.2 - Retainer	PA66-GF15	VIOLETT SIML. TO RAL 4006	3
				1	5pos. MCON 1.2 - Protec. Cover	PA6-GF15	VIOLETT SIML. TO RAL 9011	2
				1	5pos. MCON 1.2 - Recept. Hsg	PA66-GF30	BLUE SIML. TO RAL 5012	1
2-1718806-1	B	5pos. MCON 1.2 - LL Connector, Sealed	E	1	MCON 1.2 - CPA	PA46-GF15	GRAY SIML. TO RAL 7037	5
				1	5pos. MCON 1.2 - Seal	MVQ-30	NATURE	4
				1	5pos. MCON 1.2 - Retainer	PA66-GF15	VIOLETT SIML. TO RAL 4006	3
				1	5pos. MCON 1.2 - Protec. Cover	PA6-GF15	BLACK SIML. TO RAL 9011	2
				1	5pos. MCON 1.2 - Recept. Hsg	PA66-GF30	NATURE	1
1-1718806-1	A	5pos. MCON 1.2 - LL Connector, Sealed	E	1	MCON 1.2 - CPA	PA46-GF15	GRAY SIML. TO RAL 7037	5
				1	5pos. MCON 1.2 - Seal	MVQ-30	NATURE	4
				1	5pos. MCON 1.2 - Retainer	PA66-GF15	VIOLETT SIML. TO RAL 4006	3
				1	5pos. MCON 1.2 - Protec. Cover	PA6-GF15	BLACK SIML. TO RAL 9011	2
				1	5pos. MCON 1.2 - Recept. Hsg	PA66-GF30	BLACK SIML. TO RAL 9011	1



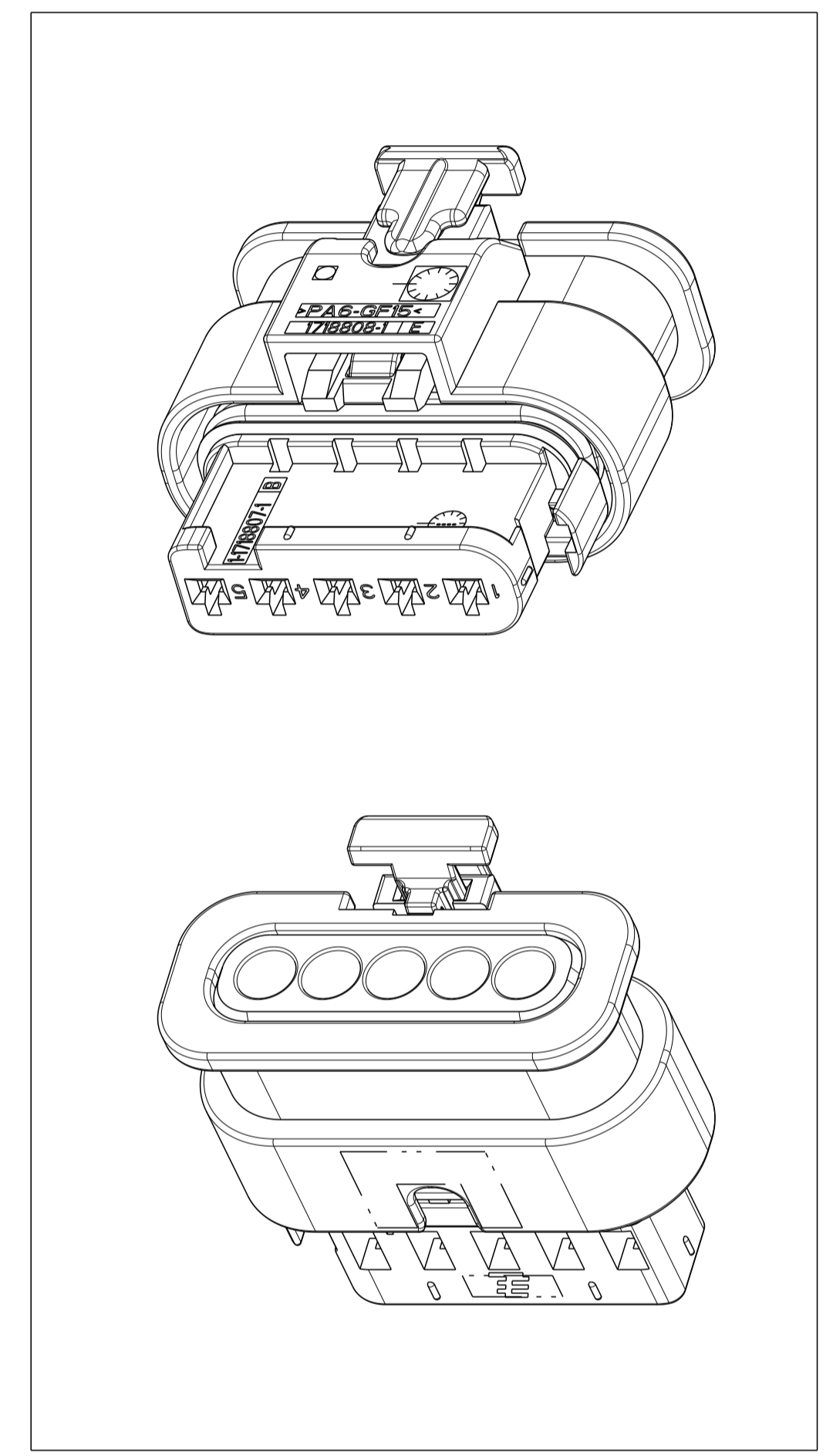
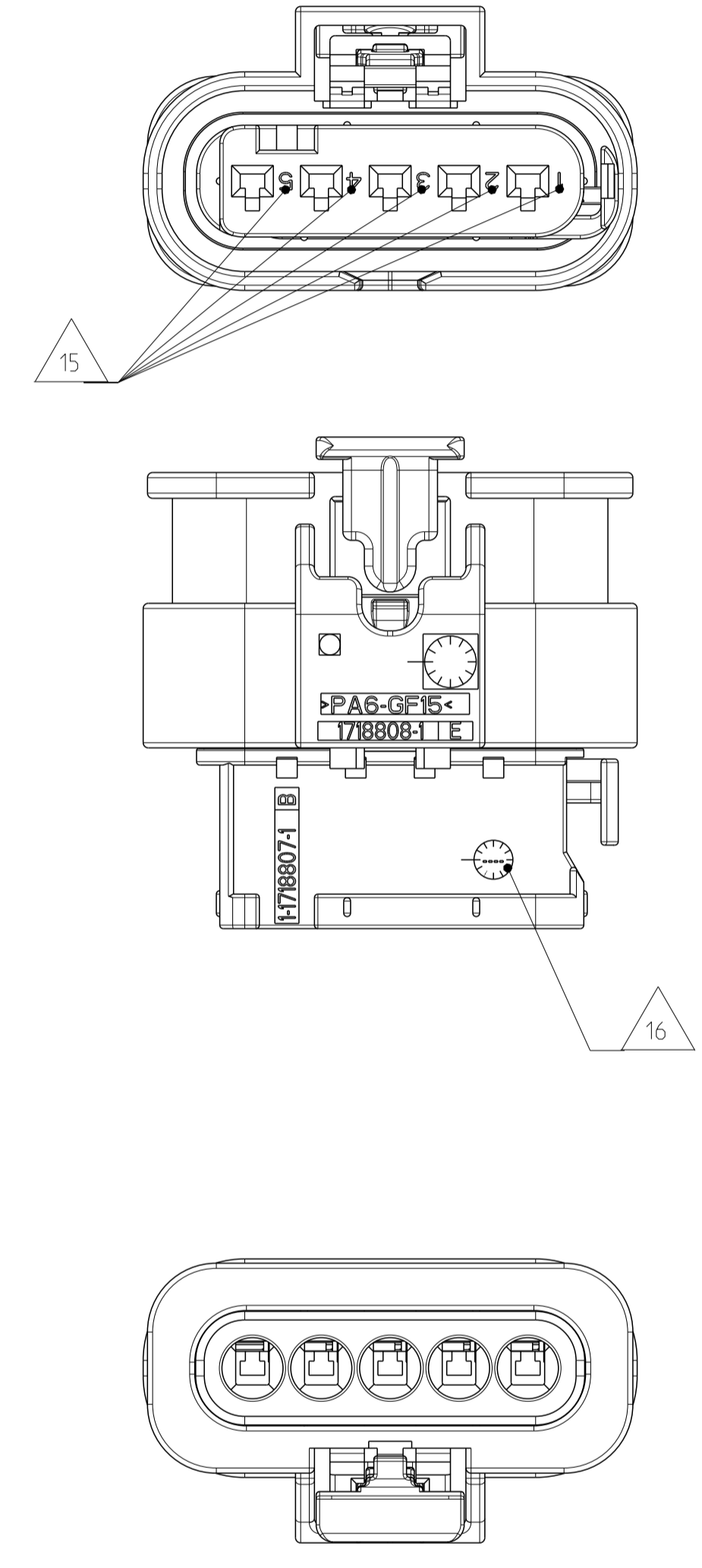
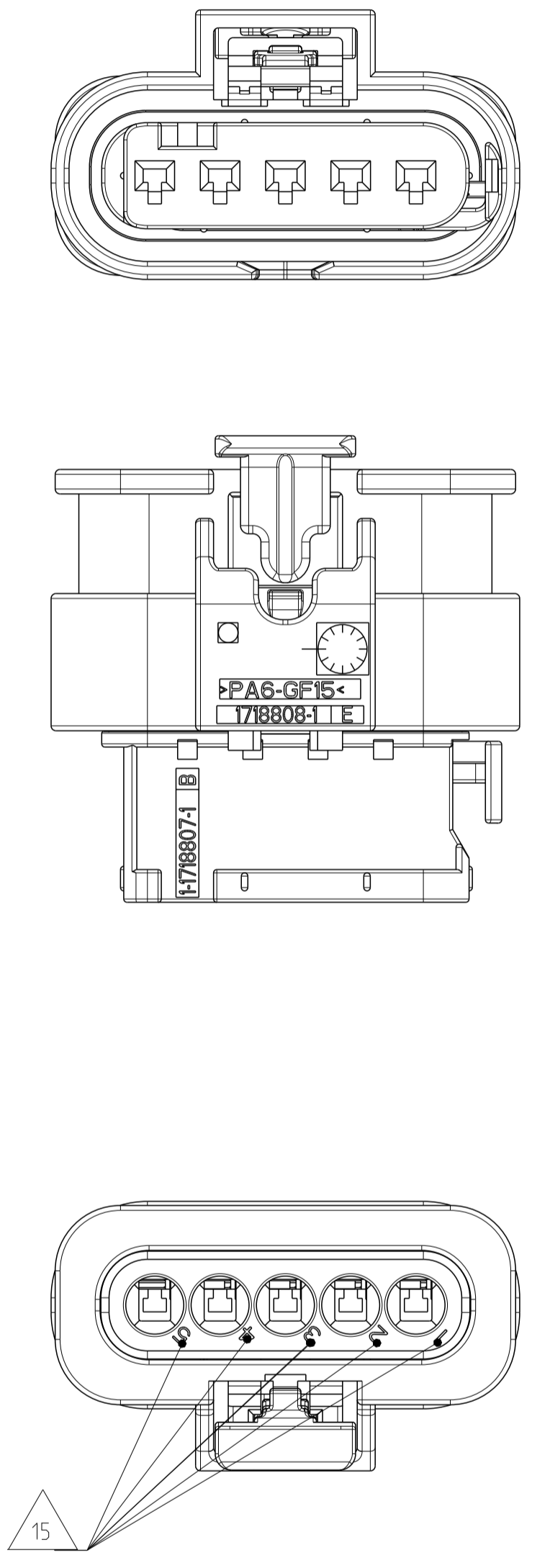
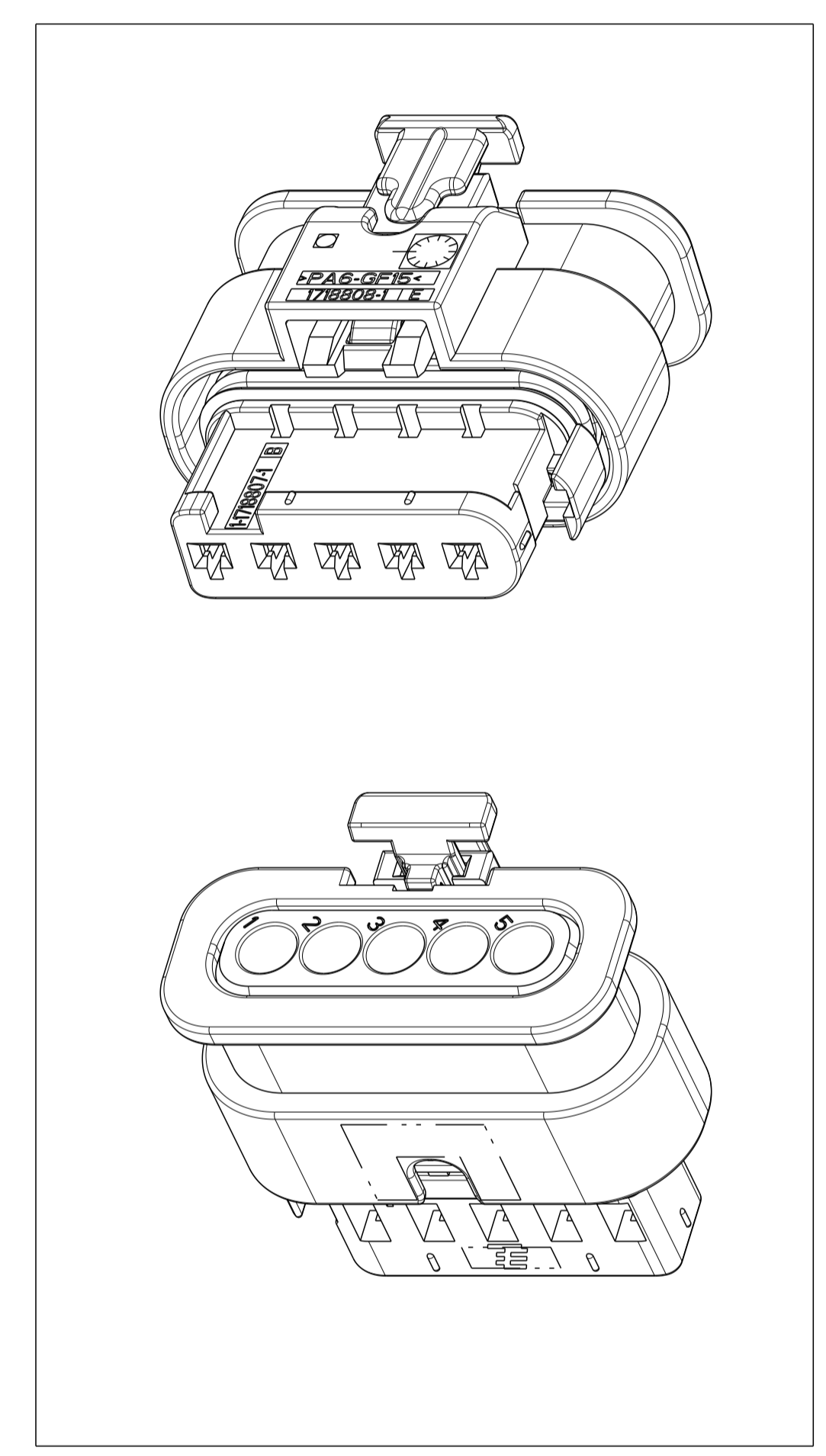
TOLERANCES UNLESS OTHERWISE SPECIFIED ACC. TO DIN 16901-140. CENTRIC TO NOMINAL DIMENSION. EDITION 1982-11 SHALL APPLY. Freimessstoleranzen nach DIN 16901-140. Es gilt die Ausgabe 1982-11.		THIS DRAWING IS A CONTROLLED DOCUMENT.		OWN: G. Roth 09AUG2018	NAME: 5pos. MCON 1.2 LL Connector, Sealed
DIMENSIONS: mm		TOLERANCES UNLESS OTHERWISE SPECIFIED		CHK: A. Schraebel 17FEB2005	SIZE: A1
0 PLC	±0.1	1 PLC	±0.05	APVD: -	CAGE CODE: 00779
2 PLC	±0.05	2 PLC	±0.03	PRODUCT SPEC: 108-18969	DRAWING NO: C=1718806
3 PLC	±0.03	3 PLC	±0.013	APPLICATION SPEC: -	SHEET: 1 OF 2
4 PLC	±0.013	4 PLC	±0.001	WEIGHT: -	SCALE: 4:1
5 PLC	±0.001	5 PLC	±0.0001	CUSTOMER DRAWING: -	REV: E4

REVISIONS				
P.	LTN	DESCRIPTION	DATE	APVD
		SEE SHEET 1		

E3 Divergent marking for parts from various tools 3:1

Version 1

E3 Version 2



- E3** 15 Contact cavity marking
- 16 Date clock for inner housing

DIMENSIONS: mm		TOLERANCES UNLESS OTHERWISE SPECIFIED: 0 PLC ±0.5 1 PLC ±0.13 2 PLC ±0.075 3 PLC ±0.03 4 PLC ±0.001		DWG: G. Roth 17FEB2005 CHK: A. Schraebel 17FEB2005 APVD: -		TE TE Connectivity NAME: 5pos. MCON 1.2 LL Connector, Sealed PRODUCT SPEC: - APPLICATION SPEC: -
MATERIAL: TBD		FINISH: -		WEIGHT: - CUSTOMER DRAWING		
THIS DRAWING IS A CONTROLLED DOCUMENT.			TOLERANCES UNLESS OTHERWISE SPECIFIED ACC. TO DIN 16901-140 @ CENTRIC TO NOMINAL DIMENSION, EDITION 1982-11 SHALL APPLY. FREIHALBTOLERANZEN NACH DIN 16901-140 @. Es gilt die Ausgabe 1982-11.			SIZE: A1 CAGE CODE: 00779 DRAWING NO: C=1718806 RESTRICTED TO: -
DIMENSIONS:		TOLERANCES UNLESS OTHERWISE SPECIFIED:		SCALE: 4:1 SHEET: 2 OF 2 REVISION: E4		

Mouser Electronics

Authorized Distributor

Click to View Pricing, Inventory, Delivery & Lifecycle Information:

[TE Connectivity:](#)

[1-1718806-1](#)