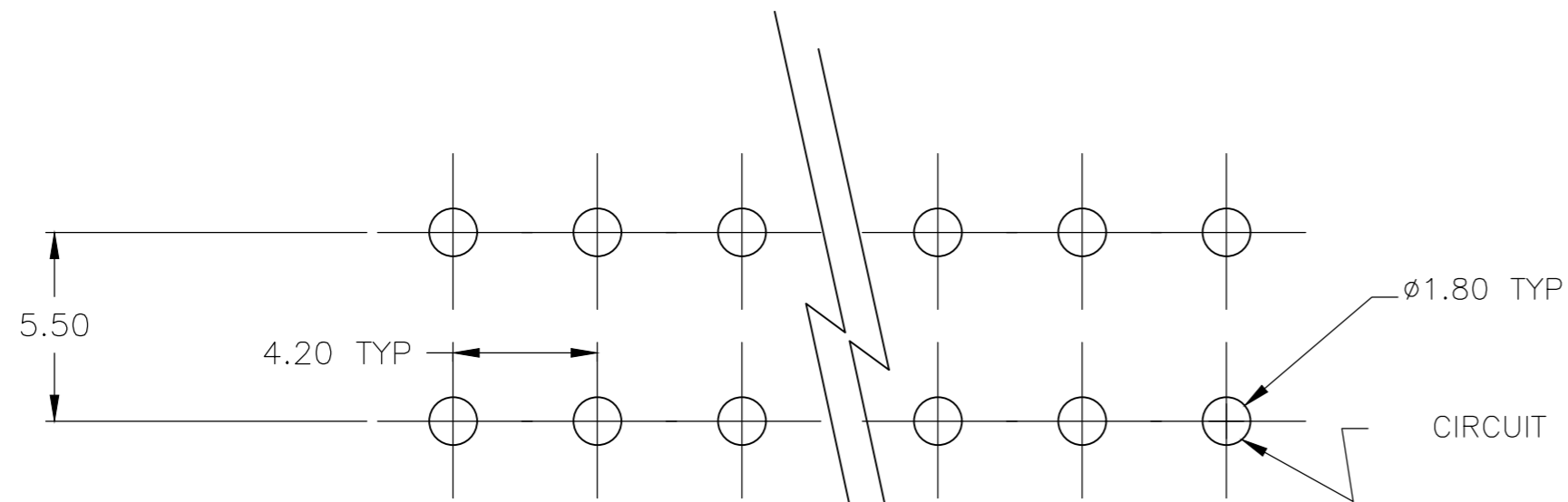
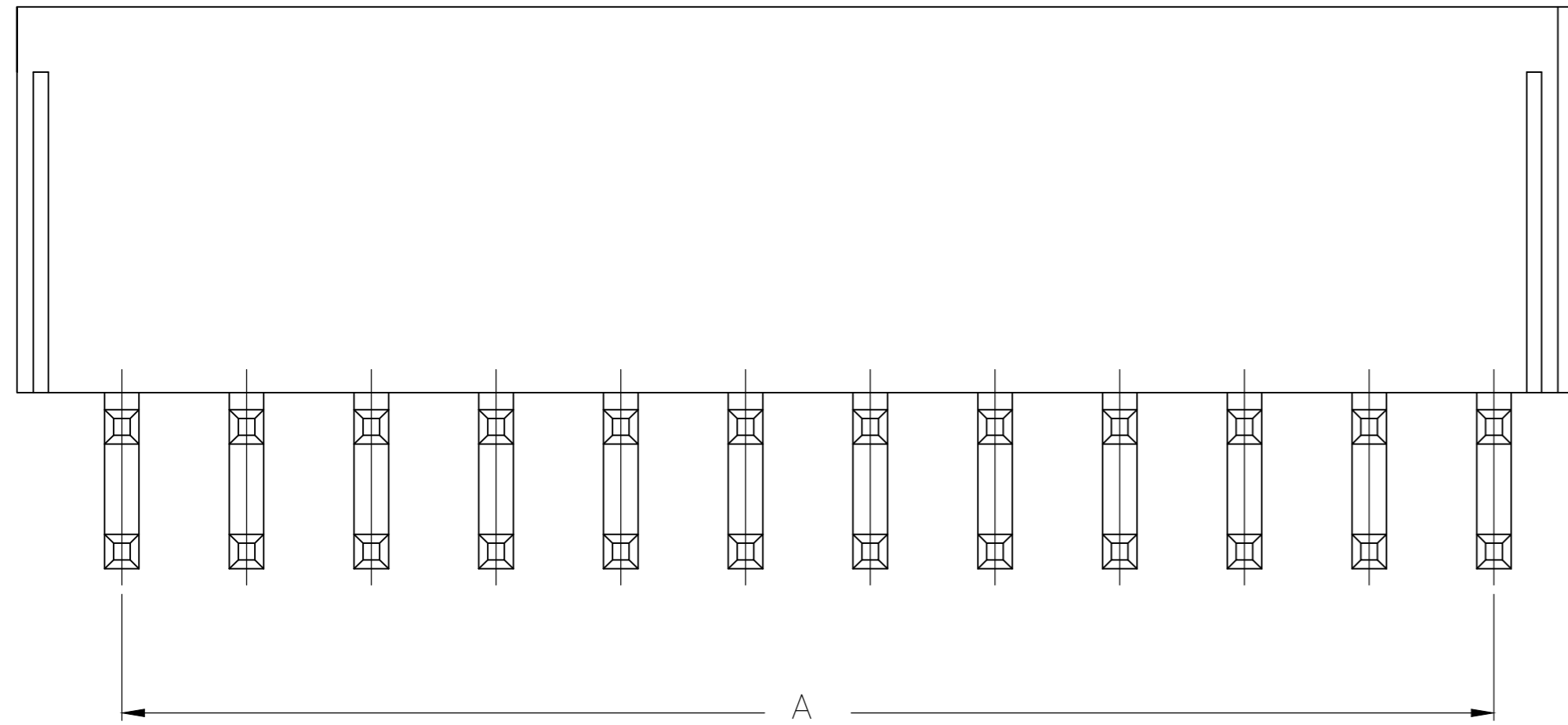
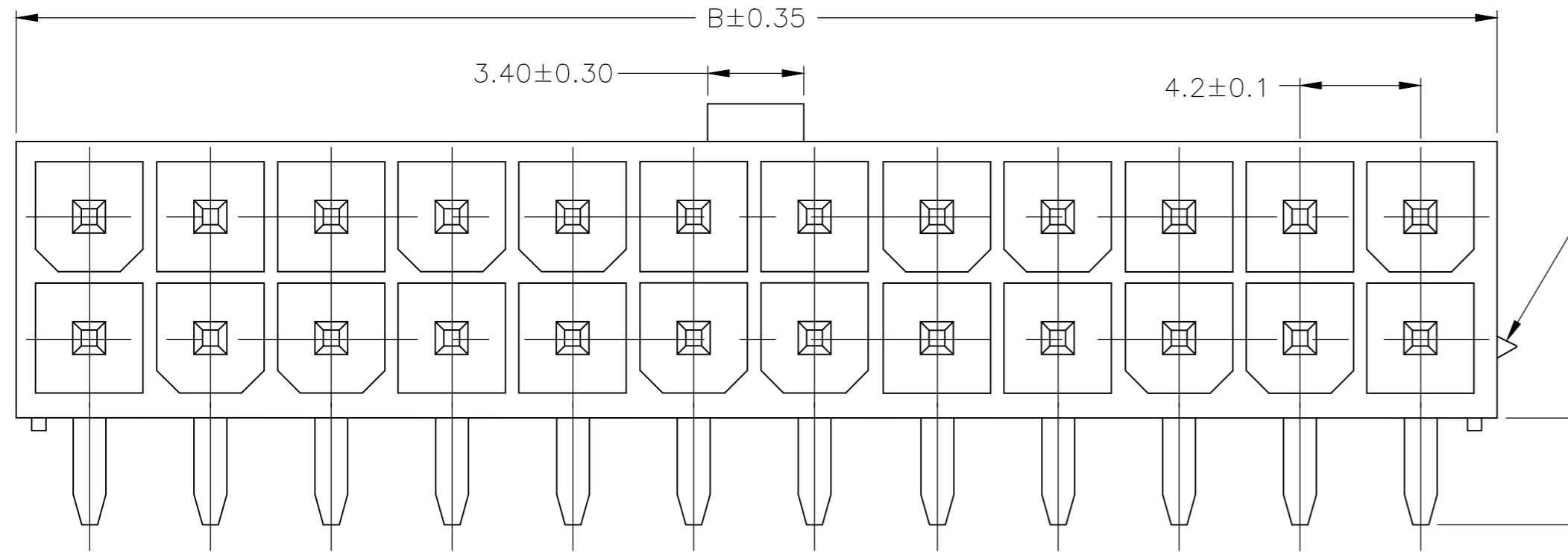
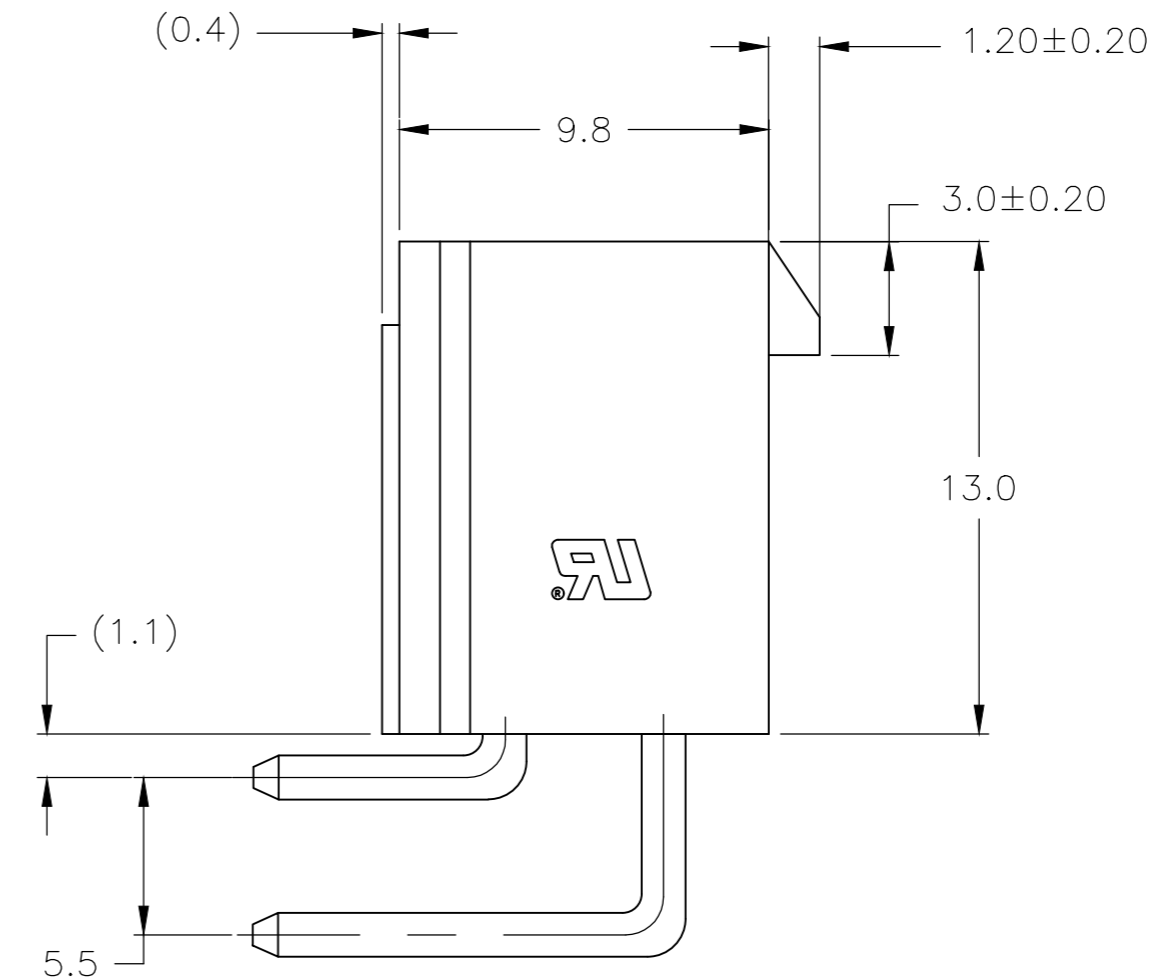


REVISIONS					
P	LTR	DESCRIPTION	DATE	DWN	APVD
B7		REVISED PER ECR-19-013240	06MAY2020	WH	DZ



PCB LAYOUT: COMPONENT SIDE
RECOMMENDED BOARD THICKNESS 1.60

- 1 MATERIAL: HOUSING-NYLON, UL94V-0 (COLOR SEE TABLE, COLOR OF PARTS MAY VARY) CONTACTS-0.25 [.010] THICK BRASS ALLOY.
- 2 CONTACT FINISH: 0.002032 [.000080] MIN BRIGHT TIN OVER 0.000762 [.000030] MIN NICKEL OVER ENTIRE CONTACT.
- 3 MATES WITH VAL-U-LOK(TM) RECEPTACLE HOUSINGS.
- 4 PRELIMINARY-NOT FOR PRODUCTION.



4	COLOR	POS	A	B±0.35	PART NUMBER
	BLACK	6	8.4±0.1	13.8	3-1586042-6
	NATURAL	2		5.4	1586042-2
	NATURAL	4	4.2±0.1	9.6	1586042-4
	NATURAL	6	8.4±0.1	13.8	1586042-6
	NATURAL	8	12.6±0.1	18.0	1586042-8
	NATURAL	10	16.8±0.1	22.2	1-1586042-0
	NATURAL	12	21.0±0.2	26.4	1-1586042-2
	NATURAL	14	25.2±0.2	30.6	1-1586042-4
	NATURAL	16	29.4±0.2	34.8	1-1586042-6
	NATURAL	18	33.6±0.2	39.0	1-1586042-8
	NATURAL	20	37.8±0.2	43.2	2-1586042-0
	NATURAL	22	42.0±0.2	47.4	2-1586042-2
	NATURAL	24	46.2±0.2	51.6	2-1586042-4

2-1586042-4 SHOWN

THIS DRAWING IS A CONTROLLED DOCUMENT.		DWN S. HOOVER 18-SEP-2002		
DIMENSIONS: mm		CHK D. COLEY 18-SEP-2002		
TOLERANCES UNLESS OTHERWISE SPECIFIED:		APVD D. COLEY 18-SEP-2002	NAME	
0 PLC ± -		PRODUCT SPEC 108-2112	RIGHT ANGLE HEADER, WITHOUT PEGS VAL-U-LOK(TM)	
1 PLC ± 0.5		APPLICATION SPEC 114-13172	SIZE A2	CAGE CODE 00779
2 PLC ± 0.5		WEIGHT -	DRAWING NO C=1586042	RESTRICTED TO -
3 PLC ± -		CUSTOMER DRAWING		
4 PLC ± -		SCALE N/A SHEET 1 of 1 REV B7		
ANGLES ±				
FINISH				

Mouser Electronics

Authorized Distributor

Click to View Pricing, Inventory, Delivery & Lifecycle Information:

[TE Connectivity:](#)

[1-1586042-8](#)