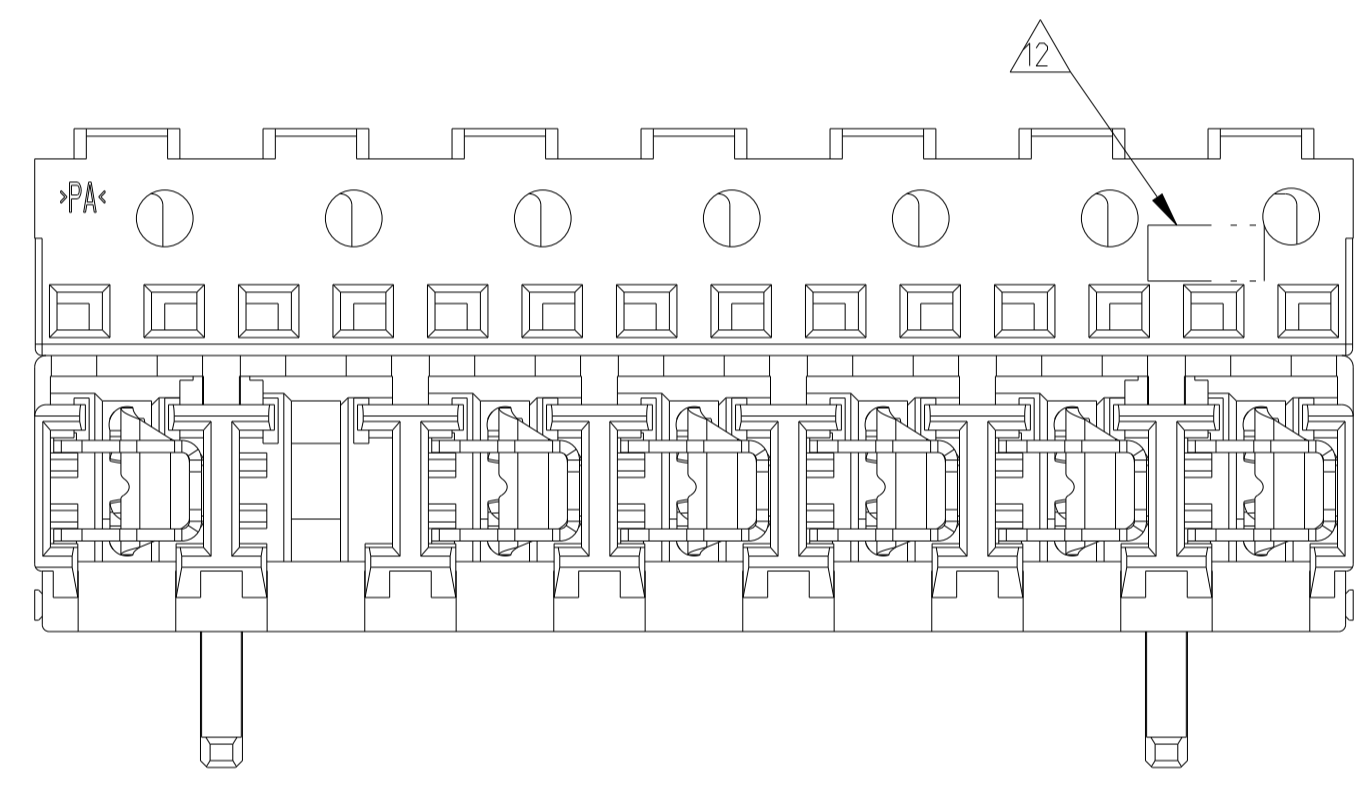
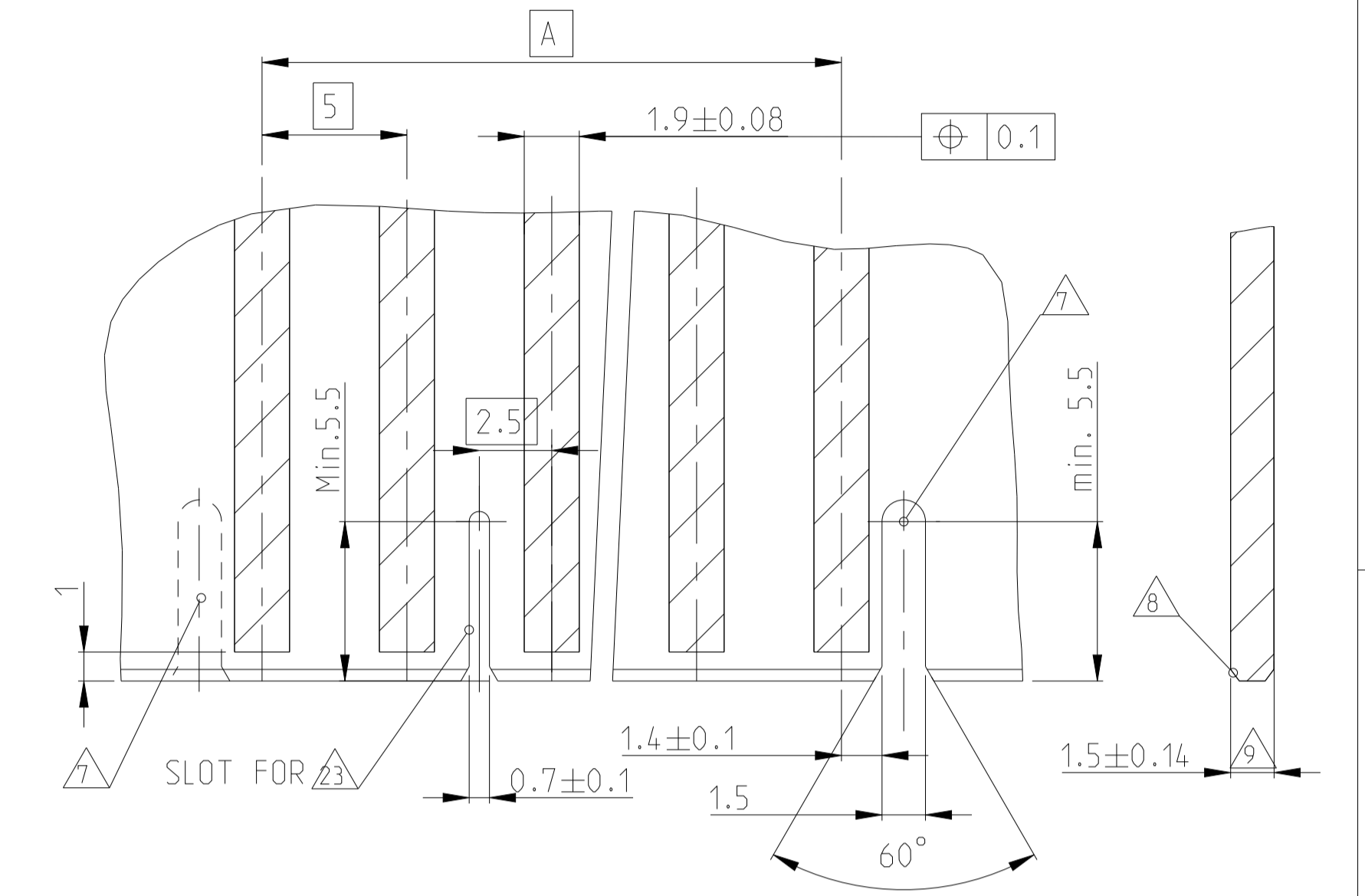
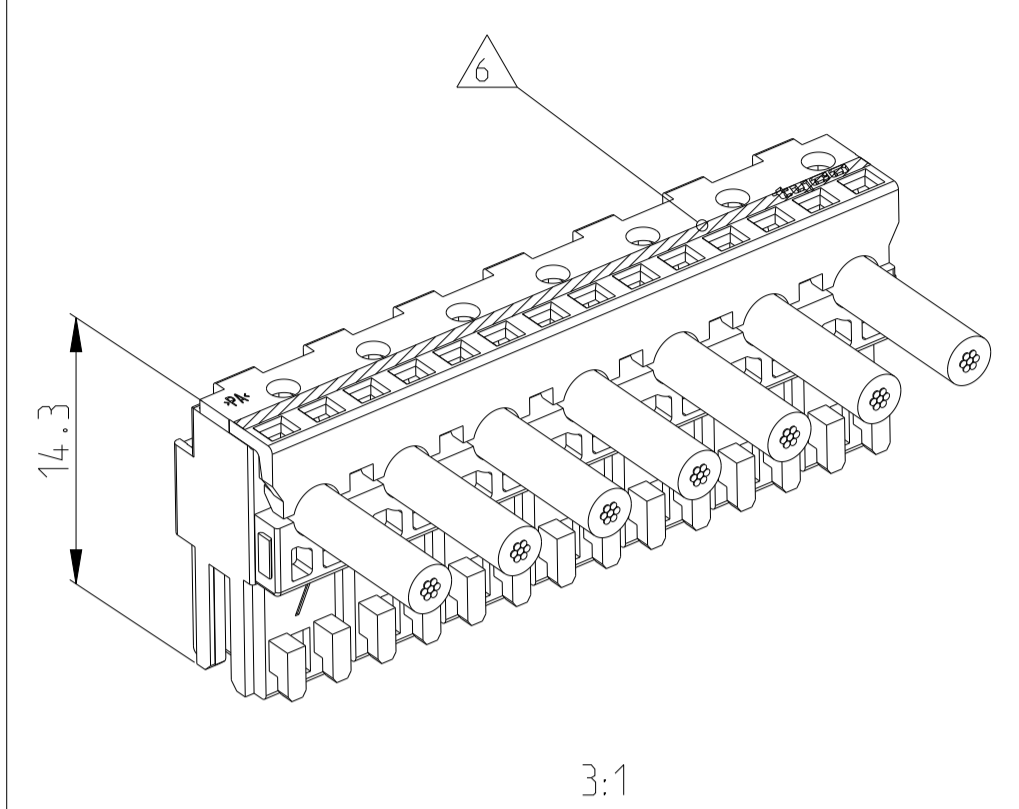
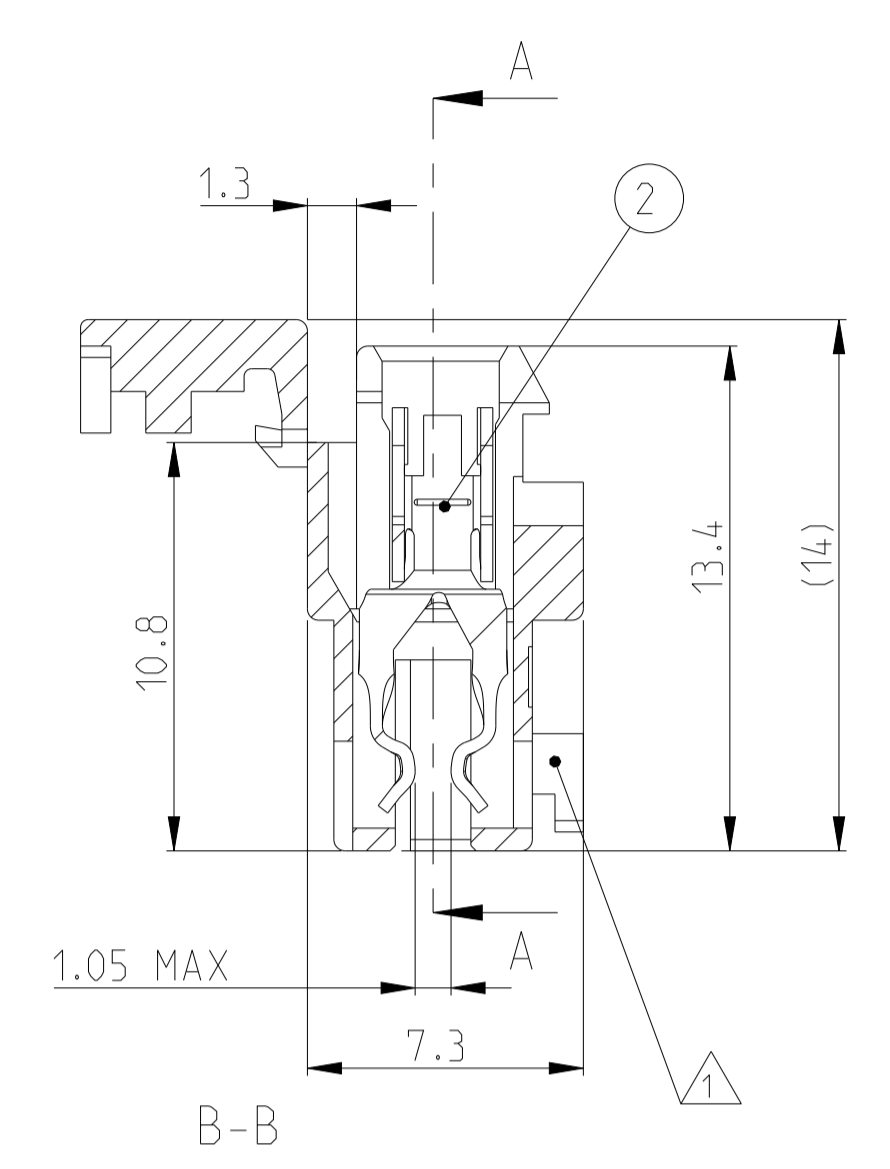
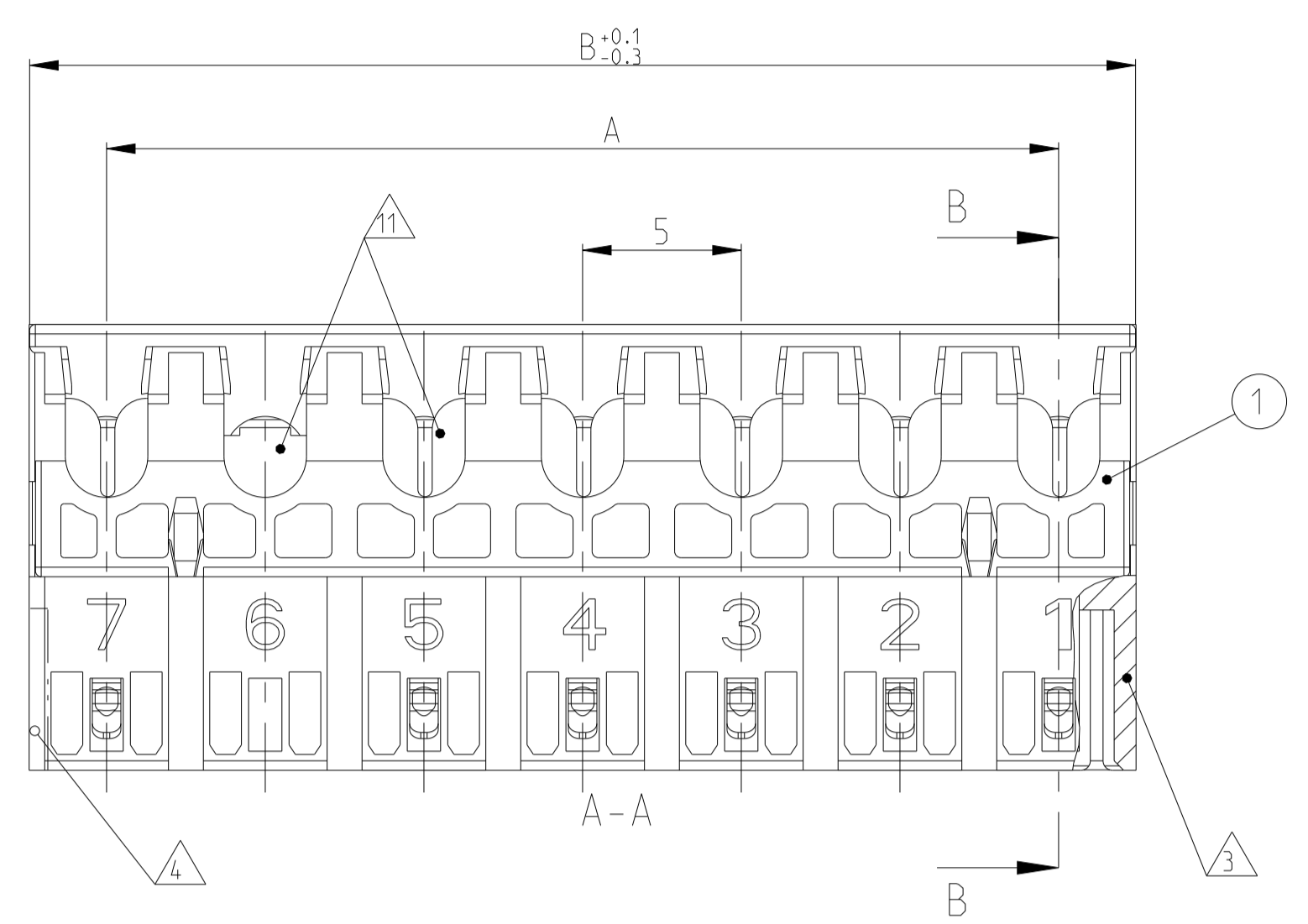
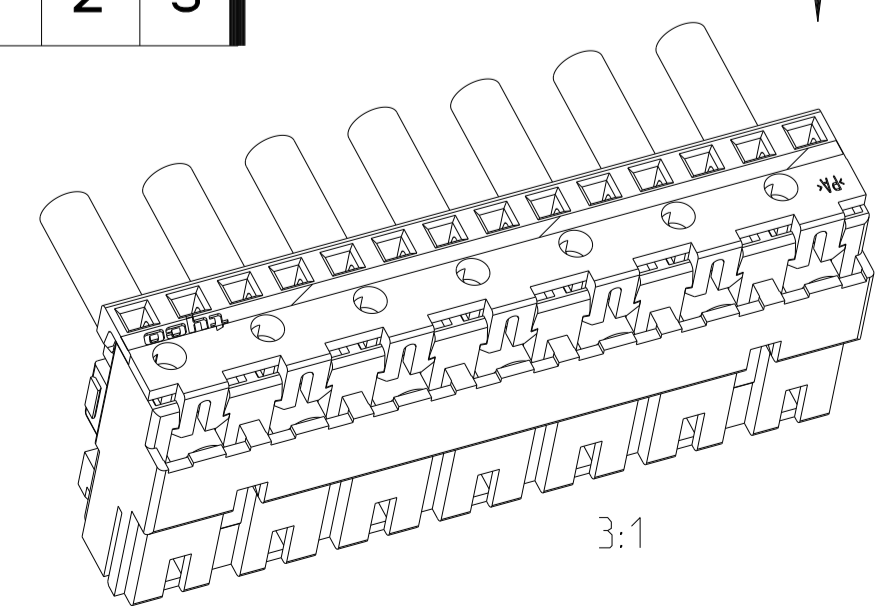
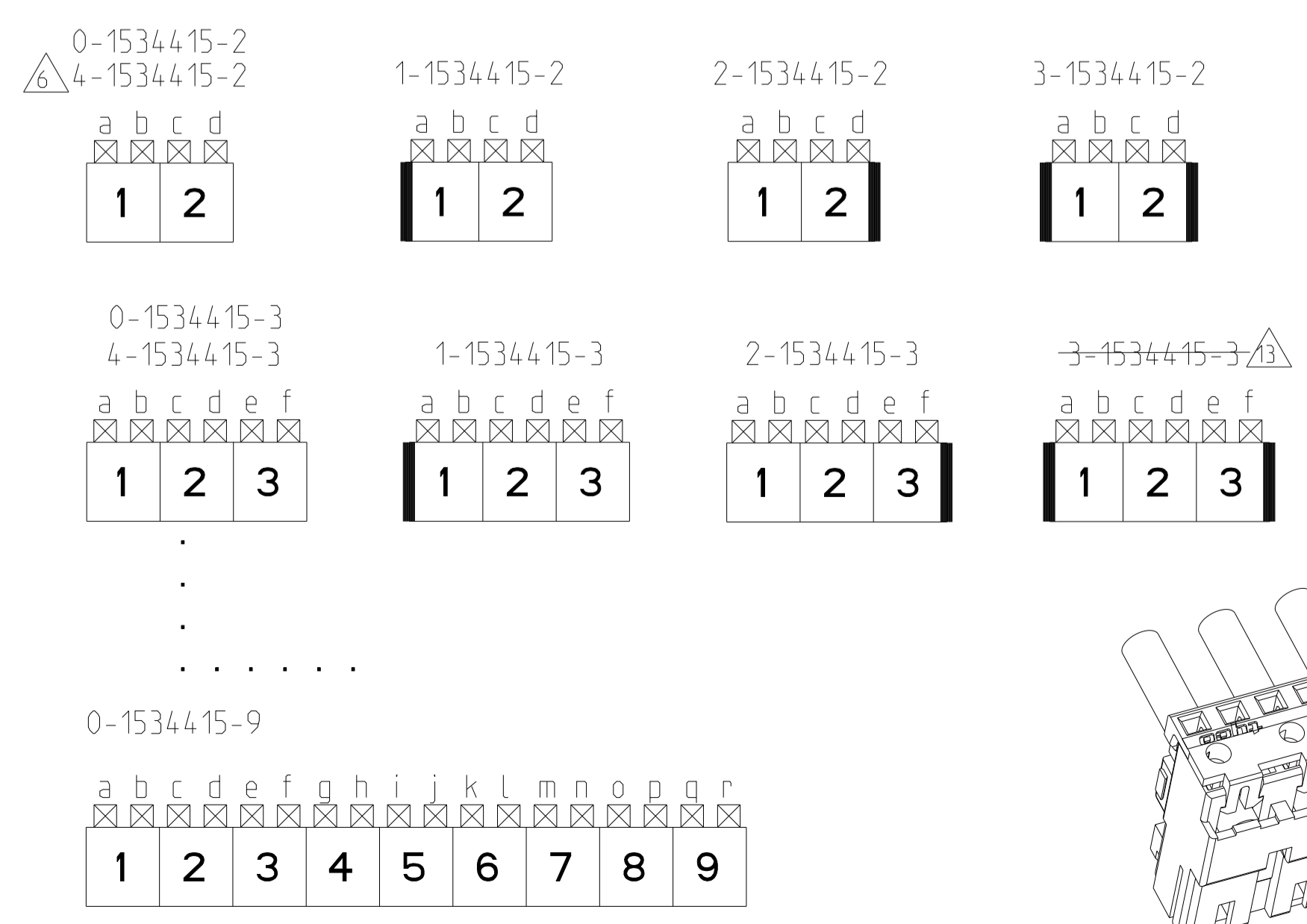


LOC		DIST		REVISIONS			
A1		-		REV	DATE	BY	APPV
D21	ECR-20-100619	05NOV2020	W W	FL			
D22	ECR-21-108728	16AUG2021	SM	FL			
D23	ECR-21-114072	22SEP2021	SM	FL			
D24	ECR-21-115341	28SEP2021	SM	FL			

PCB LAYOUT KEYED / CONNECTED ONLY WITH ADDITIONAL FRAME
 Leiterplattenanschluss kodiert / nur in Verbindung mit zusätzlichem Rahmen



KEYING PLAN (VIEW Z)
Kodierschema (Ansicht Z)



- 16 KEYING BETWEEN POSITIONS
- 15 UL94 V0 AND GLOW WIRE TEST 750 °C WITHOUT FLAME
- 14 PRELIMINARY PART NOT RELEASED FOR PRODUCTION
- 13 OBSOLETE
- 12 TE LOGO

- 11 X...CAVITY LOADED WITH CONTACT
 O...CAVITY WITHOUT CONTACT
 X...Kammer mit Kontakt
 O...Kammer ohne Kontakt
- 10 GLOW WIRE TEST 750 °C WITHOUT FLAME
 Gluehdrahttest 750°C ohne Flamme
- 9 INCLUSIVE COPPER CLADDING:
 Inclusive Kupferkaschierung:
- 8 PCB PREFERABLY CHAMFERED.
 Leiterplatte vorzugsweise angefast.
- 7 SLOT FOR SIDE KEYING. 4 4
 Schlitz fuer Seitenkodierung. 4 4 .
- 6 COLOUR MARKING ON TOP OF HOUSING OPTIONAL ON TERMINATION MACHINE
 Farbmarkierung auf Gehäuseoberseite optional an Verarbeitungsmaschine
- MATING PART: PCB (WITH FRAMES ACC. RAST 2.5 E.G. PN 964 575/576)
 TABHEADER PN 1 534 787/788
 5 Passender Gegenstecker: Leiterplatten (mit Rahmen nach RAST 2.5 z.B. Tabwannen Nr. 1 534 787/788
- 4 SIDE KEYING, ON LAST CAVITY
 Seitenkodierung, an letzter Kammer
- 3 SIDE KEYING, ON CAVITY 1
 Seitenkodierung, an Kammer 1
- 2 WIRE RANGE: 0.35-0.75 mm²
 Drahtgrößenbereich: 0.35-0.75 mm²
- 1 KEYING RIBS; CUTTING WITH TERMINATION MACHINE POSSIBLE
 Kodierrippe; Schneiden auf der Verarbeitungsmaschine möglich

THIS DRAWING IS A CONTROLLED DOCUMENT.		OWN: H. Karabiyik 13OCT2016	TE Connectivity
DIMENSIONS: mm		CHK: B. Schnaubelt 24JAN2002	
TOLERANCES UNLESS OTHERWISE SPECIFIED:		APPV: T. Klenner 24JAN2002	NAME: AMP DUOPLUG POWER FEMALE CONNECTOR (Standard Version)
0 PLC ±0.2	1 PLC ±0.2	2 PLC ±0.2	PRODUCT SPEC: 108-18780
3 PLC ±0.2	4 PLC ±0.2	ANGLES ±°	APPLICATION SPEC: 114-18458
MATERIAL: -	FINISH: -	WEIGHT: -	SIZE: A1 00779 C=1534415
CUSTOMER DRAWING		SCALE: 5:1	SHEET: 1 OF 2

LOC		DIST		REVISIONS			
P	LTN	DESCRIPTION		DATE	OWN	APVD	
-		SEE SHEET 1		-	-	-	

GWEPT 750°C NO FLAME + UL94-V0																		
X	X	X	X	X	X	X	X	X	X	X	NATURE	10	40	49.9	3/4	-	-	2-2328644-0
X	X	X	X	X	X	X	X	X	X	X	NATURE	10	40	49.9	-	-	-	1-2328644-0
		X	X	X	X	X	X	X	X	X	NATURE	9	40	44.9	-	-	-	-
				0	0	X	X	X	X	X	NATURE	7	30	34.9	-	-	-	1-2328644-7
						X	X	X	X	X	NATURE	7	30	34.9	-	-	-	2328644-7
							X	X	X	X	NATURE	5	20	24.9	-	-	-	2328644-5
								X	X	X	NATURE	3	10	14.9	-	-	X	2328644-3
								X	X	X	NATURE	3	10	14.9	-	X	-	5-1534415-3
								X	X		NATURE	2	5	9.9	-	-	-	-
10	9	8	7	6	5	4	3	2	1									
CAVITY LOADED											COLOR	POS.	DIM A	DIM B	KEYING	KEYING	KEYING	TE P/N
2	SEE TABLE siehe Tabelle		CONTACT		CuNiSi		TINNED											
1			Federleistengehaeuse		PA 6		NATUR/Natur											
POS.	TE P/N		DESCRIPTION		MATERIAL		COLOUR/FINISH											

GWEPT 750°C NO FLAME + UL94-V2																		
X	X	X	X	X	X	X	X	X	X	X	NATURE	10	45	49.9	3/4	-	-	2-1534415-0
X	X	X	X	X	X	X	X	X	X	X	NATURE	10	45	49.9	-	-	-	1-1534415-0
		X	X	X	X	X	X	X	X	X	NATURE	9	40	44.9	-	-	-	0-1534415-9
			X	X	X	X	X	X	X	X	NATURE	8	35	39.9	-	-	-	0-1534415-8
				X	X	X	X	X	X	X	NATURE	7	30	34.9	-	-	-	0-1534415-7
					X	X	X	X	X	X	NATURE	6	25	29.9	-	-	-	0-1534415-6
						X	X	X	X	X	NATURE	5	20	24.9	-	-	-	0-1534415-5
							X	X	X	X	NATURE	4	15	19.9	-	X	-	3-1534415-4
								X	X	X	NATURE	4	15	19.9	3/4	X	X	2-1534415-4
									X	X	NATURE	4	15	19.9	2/3	X	X	1-1534415-4
										X	NATURE	4	15	19.9	-	-	-	0-1534415-4
										X	X	RED	3	10	14.9	-	X	8-1534415-3
										X	X	GREEN	3	10	14.9	-	X	7-1534415-3
										X	X	NATURE	3	10	14.9	1/2	X	6-1534415-3
										X	0	NATURE	3	10	14.9	-	-	4-1534415-3
										X	X		3	10	14.9	-	X	3-1534415-3
										X	X	NATURE	3	10	14.9	-	X	2-1534415-3
										X	X	NATURE	3	10	14.9	-	-	1-1534415-3
										X	X	NATURE	3	10	14.9	-	-	0-1534415-3
										X	X	BROWN	2	5	9.9	-	-	4-1534415-2
										X	X	NATURE	2	5	9.9	-	X	3-1534415-2
										X	X	NATURE	2	5	9.9	-	X	2-1534415-2
										X	X	NATURE	2	5	9.9	-	-	1-1534415-2
										X	X	NATURE	2	5	9.9	-	-	0-1534415-2
10	9	8	7	6	5	4	3	2	1									
CAVITY LOADED											COLOR	POS.	DIM A	DIM B	KEYING	KEYING	KEYING	PN Bestell-Nr.
2	SEE TABLE siehe Tabelle		KONTAKT		CuNiSi		TINNED											
1			Federleistengehaeuse		PA 6		NATUR/Natur											
POS.	PN Bestell-Nr.		DESCRIPTION Beschreibung		MATERIAL		COLOUR/FINISH Farbe/Oberflaeche											

THIS DRAWING IS A CONTROLLED DOCUMENT.		OWN H. Karabiyik CHK B. Schnaubelt	13OCT2016 24JAN2002 24JAN2002		TE Connectivity	
DIMENSIONS: mm		TOLERANCES UNLESS OTHERWISE SPECIFIED:			NAME AMP DUOPLUG POWER FEMALE CONNECTOR (Standard Version)	
		0 PLC ±0.2 1 PLC ±0.2 2 PLC ±0.2 3 PLC ± 4 PLC ±	APVD T. Klenner 24JAN2002	PRODUCT SPEC 108-18780		SIZE A1
MATERIAL -		FINISH -		APPLICATION SPEC 116-18458		CAGE CODE 00779
		CUSTOMER DRAWING		DRAWING NO. 1534415		RESTRICTED TO -
				SCALE 5:1		SHEET 2 OF 2
				REV U24		

Mouser Electronics

Authorized Distributor

Click to View Pricing, Inventory, Delivery & Lifecycle Information:

[TE Connectivity:](#)

[1-1534415-3](#)