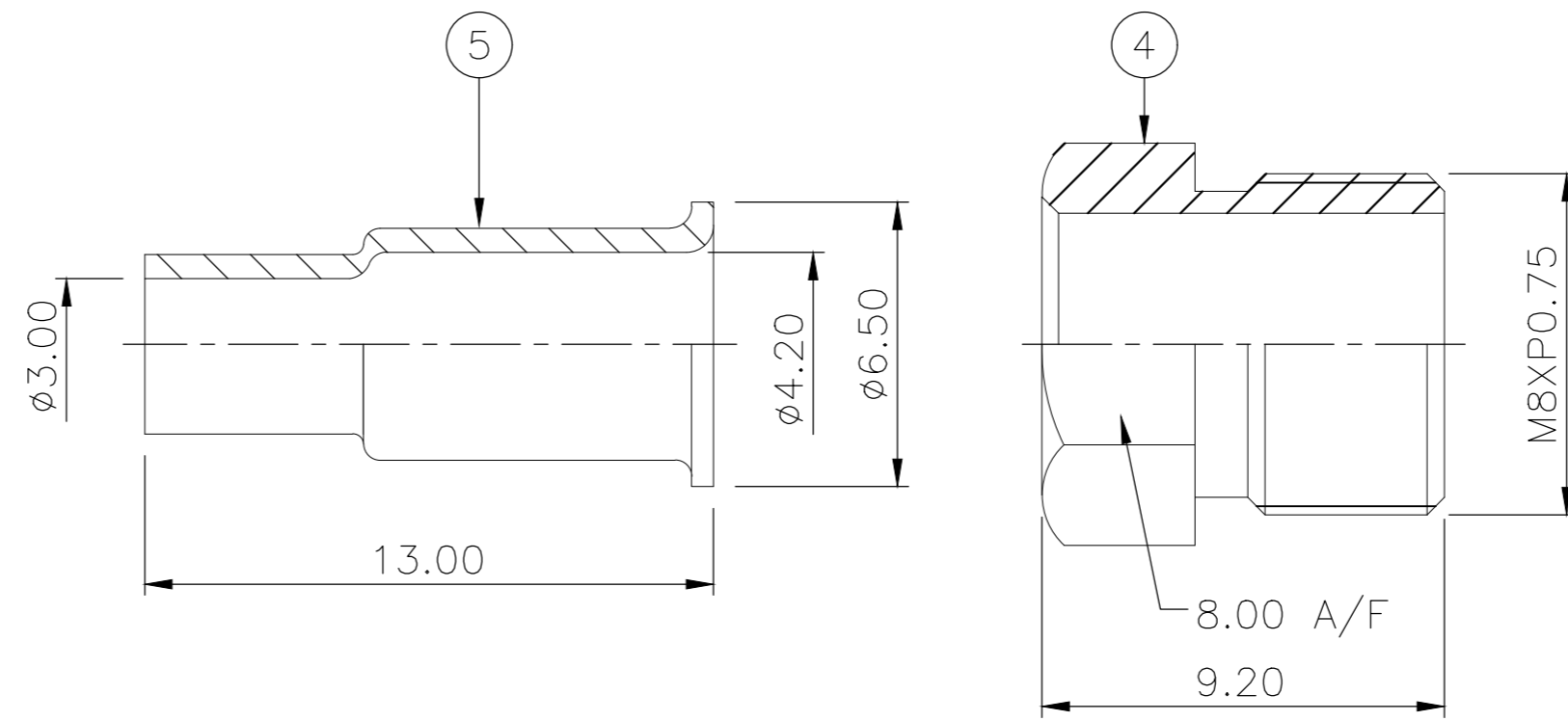
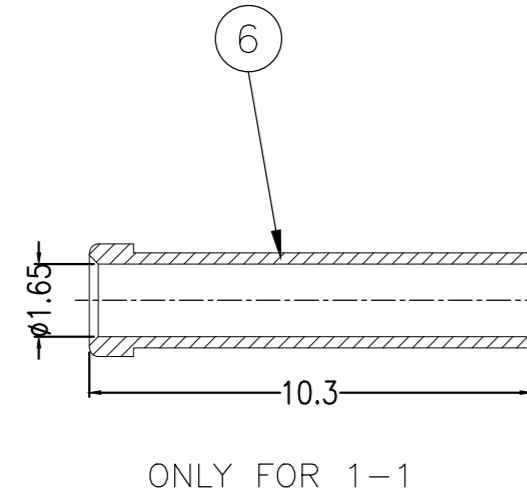
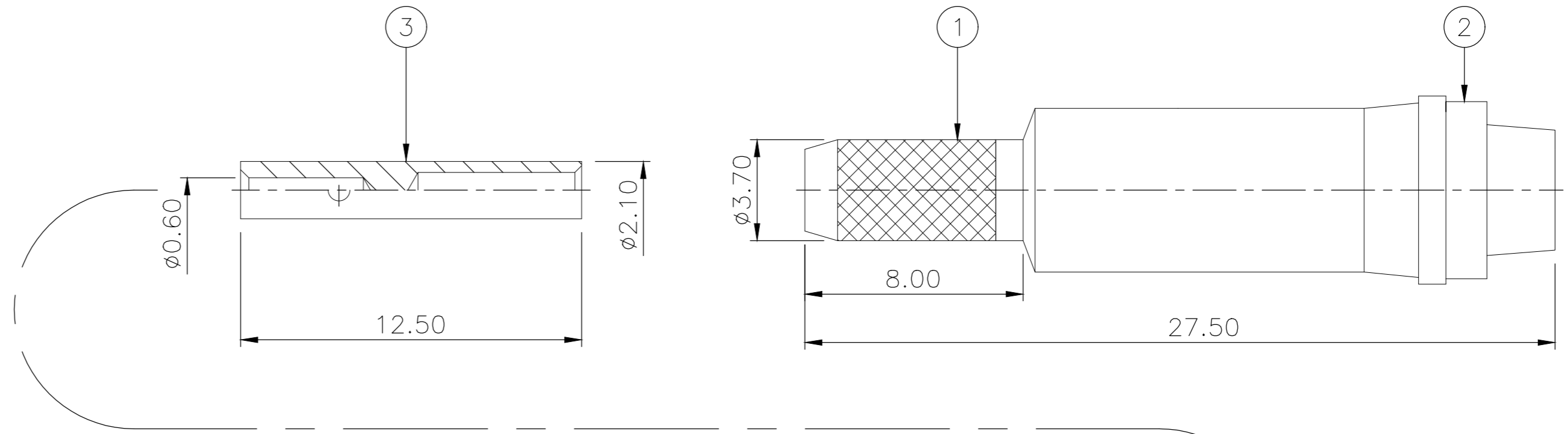


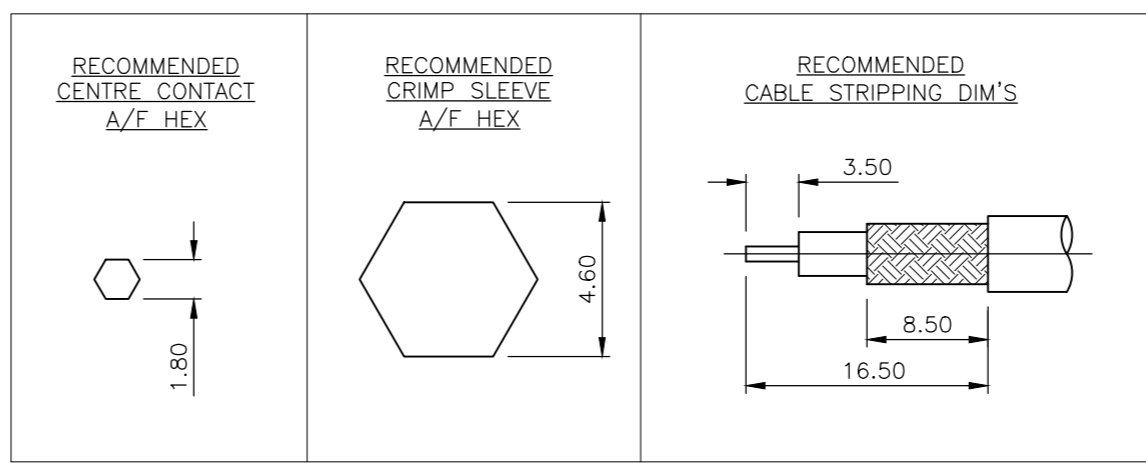
THIS DRAWING IS UNPUBLISHED. RELEASED FOR PUBLICATION AUGUST ,2006.
 © COPYRIGHT 2006 By - ALL RIGHTS RESERVED.

REVISIONS					
P	LTR	DESCRIPTION	DATE	DWN	APVD
E		ECR-19-002238	01FEB2019	RZ	RS

- NOTES**
- SINGLE PACK IN ACCORDANCE WITH AMP SPEC 107-3275
 - 50 TRAY PACK IN ACCORDANCE WITH AMP SPEC 107-3275
 - SUITABEL CABLE:
 RG174A/U, 188A/U, 316/U, URM95
 DESIGN DATA OF CABLE:
 CONDUCTOR STRANDING
 DESIGN 7X0.16mm
 CORE Ø 0.50mm NOMINAL
 SHIELDING
 DESIGN 16X5XØ0.1±0.01mm
 COVERAGE >95%
 SHIELD Ø 2.05mm NOMINAL
 JACKET
 OUTER Ø 2.6mm NOMINAL
 IF CABLE DO NOT MEET THE SPEC, RETENTION FORCE WILL LESS THAN 85N;
 - FOR TECHNICAL DATA REFER TO YOUR LOCAL TE CONNECTIVITY SALES OFFICE
 - ALL DIMENSIONS ARE NOMINAL FOR REFERENCE ONLY UNLESS OTHERWISE STATED



ELECTRICAL	MECHANICAL	ENVIRONMENTAL
Impedance (Ohm) <u>50</u>	Interface Dimension Fig. <u>N/A</u>	TEMPERATURE RANGE <u>-55°C TO + 85°C</u>
Frequency Range (GHz) <u>DC to 2GHz</u>	Recommended Coupling Torque <u>N/A</u>	ROHS <u>COMPLIANT</u>
Voltage Rating (Peak) @ Seq Level <u>100 V RMS</u>	Force to Engage and Disengage (In/lbs) <u>N/A MAX</u>	
Insulation Resistance (MIN.) <u>5000 M ohms</u>	Center Contact Captivation Axial (Lbs) <u>N/A</u>	
Contact Resistance (Milliohms MAX) Center Contact <u>10.0</u>	Radial (In/Oz) <u>N/A</u>	
Dielectric Withstand Voltage: <u>1000 V RMS Max</u>	Cable Retention Axial (N) <u>85 MINI</u>	
Insertion Loss : <u>0.4 dB @1.8GHz</u>	Mating cycles <u>500 cycles</u>	
VSWR: <u>2.0 MAX@1.8GHz (PN: 1-0/6-0)</u>		
<u>1.3 MAX@1.8GHz (PN: 1-1)</u>		
RF leakage: <u>N/A</u>		
3rd Intermodulation: <u>N/A</u>		



QTY	1	-	-	Ni 2.5um	BRASS	TUBE	6
	1	1	1	Ni 2.5um	BRASS	FERRULE	5
	1	1	1	Ni 2.5um	BRASS	NUT	4
	1	1	1	Au 0.08um	PHOS BRONZE	CONTACT PIN	3
	1	1	1	-	DELTRIN	INSULATION	2
	1	1	1	Ni 2.5um	BRASS	BODY	1
	1-1	6--0	1--0	PLATING	MATERIAL	DESCRIPTION	ITEM

THIS DRAWING IS A CONTROLLED DOCUMENT.

DWN: J.SANDWELL 25AUG06
 CHK: S.PARLOW 25AUG06
 APVD: F.WHEELER-KING 25AUG06

TE Connectivity Ltd.

FME STRAIGHT JACK CRIMP 50 OHM
 RG174A/U, 188A/U, 316/U, URM95, KX3B, KX22A

SIZE: A2 CAGE CODE: 00779 DRAWING NO: 1337551

WEIGHT: 0.000000

CUSTOMER DRAWING

SCALE: NTS SHEET: 1 of 1 REV: E

Mouser Electronics

Authorized Distributor

Click to View Pricing, Inventory, Delivery & Lifecycle Information:

[TE Connectivity:](#)

[1-1337551-0](#)