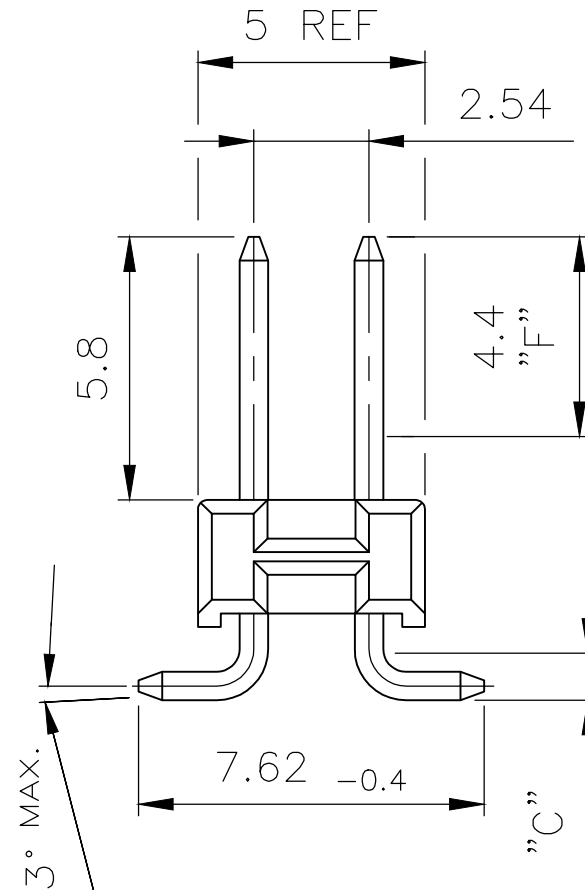
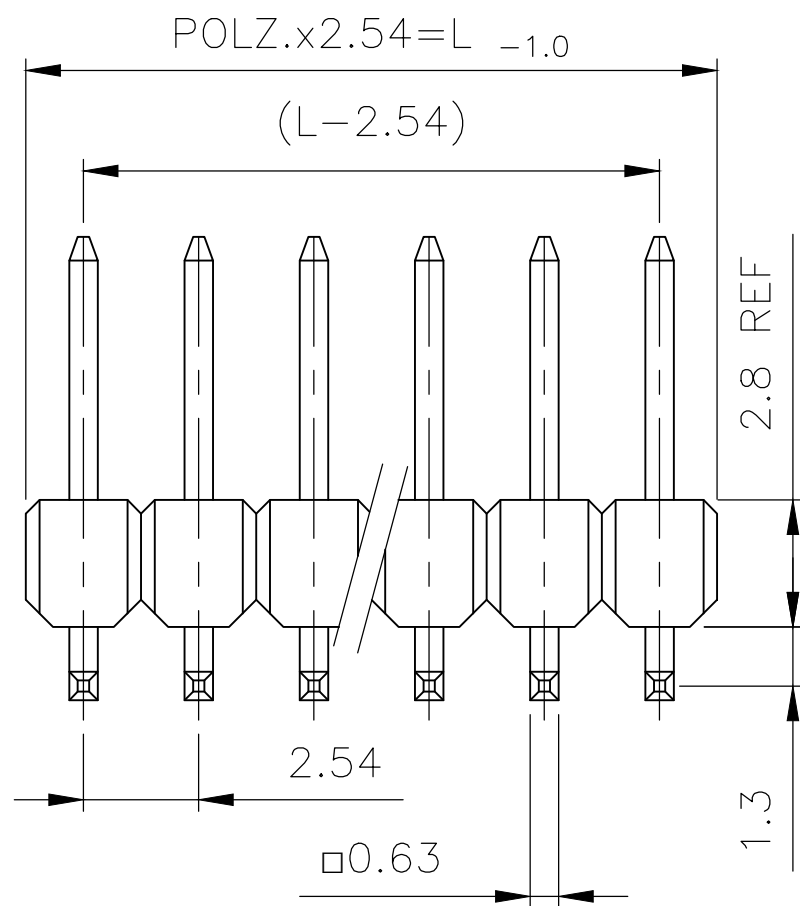
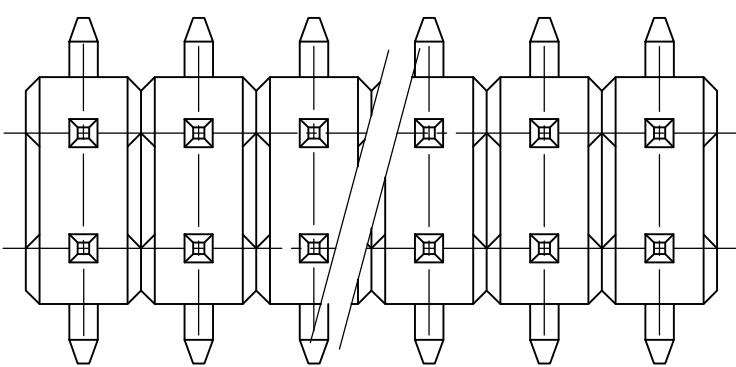
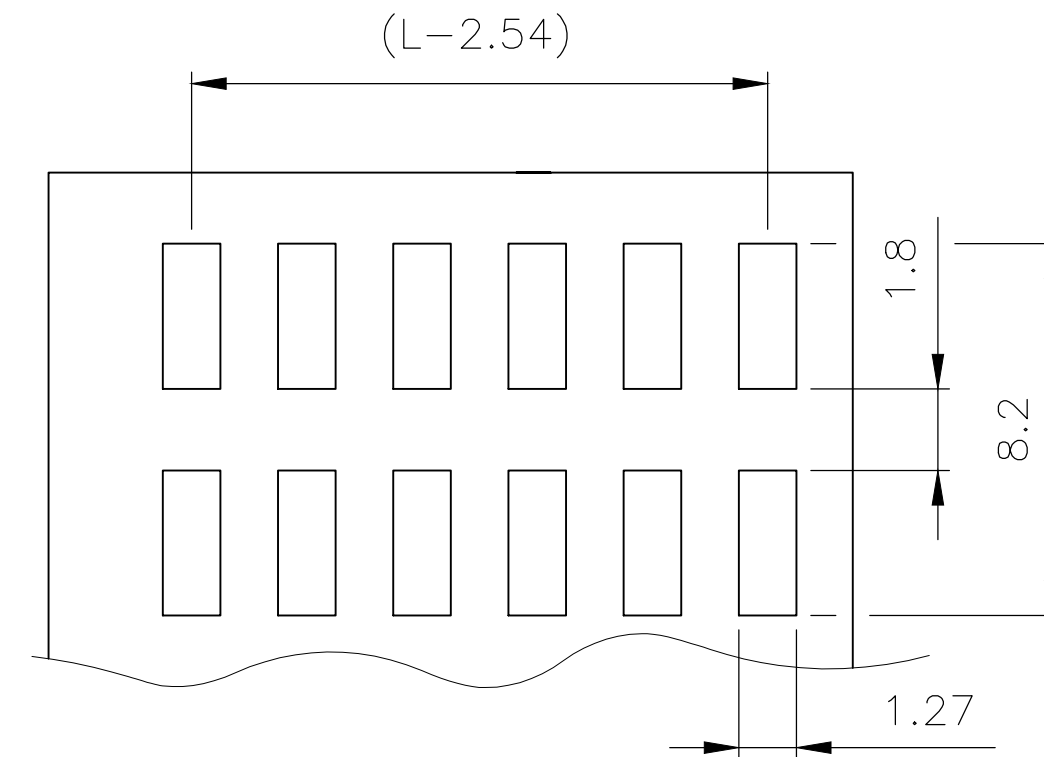


REVISIONS				
P	LTR	DESCRIPTION	DATE	APVD
B1		Reel dia change to 380mm for 2 parts	28JUN2018	KJK PS

Pos.	L _{-1.0}
2	5,08
3	7,62
4	10,16
5	12,7
6	15,24
7	17,78
8	20,32
9	22,86
10	25,4
11	27,94
12	30,48
13	33,02
14	35,56
15	38,1
16	40,64
17	43,18



EMPFOLHENES LEITERPLATTEN LAYOUT
 RECOMMENDED PCB-LAYOUT



1 MATING SIDE: WITHIN THE RANGE "F" MIN. 0.7µm PdNi + MIN. 0.1µm GOLD FLASH OVER 1.27µm Ni
 SOLDER SIDE: WITHIN THE RANGE "C" MIN. 3.0µm TIN OVER 1.27µm Ni

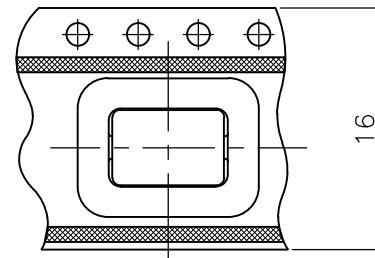
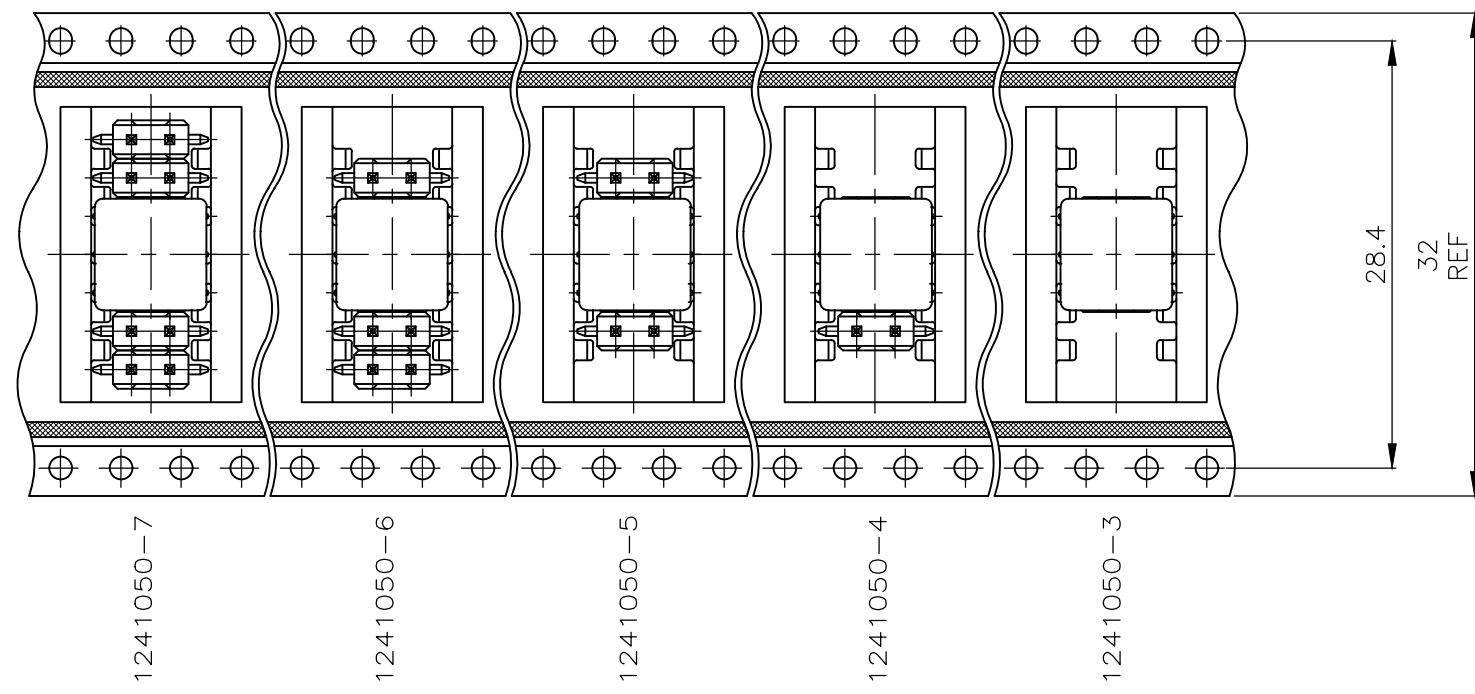
STECKSEITE: IM BEREICH "F" MIN. 0.7µm PdNi + MIN. 0.1µm GOLD ÜBER 1.27µm Ni
 LÖTSEITE: IM BEREICH "C" MIN. 3.0µm ZINN ÜBER 1.27µm Ni

KONTAKTSTIFT / CONTACT PIN	Cu Zn	1	2
STIFTGEHÄUSE / PIN HOUSING	PCT-GV	SCHWARZ / BLACK	1
BENENNUNG EINZELTEIL PART DESCRIPTION	WERKSTOFF MATERIAL	OBERFLÄCHE / FARBE SURFACE / COLOR	SI No

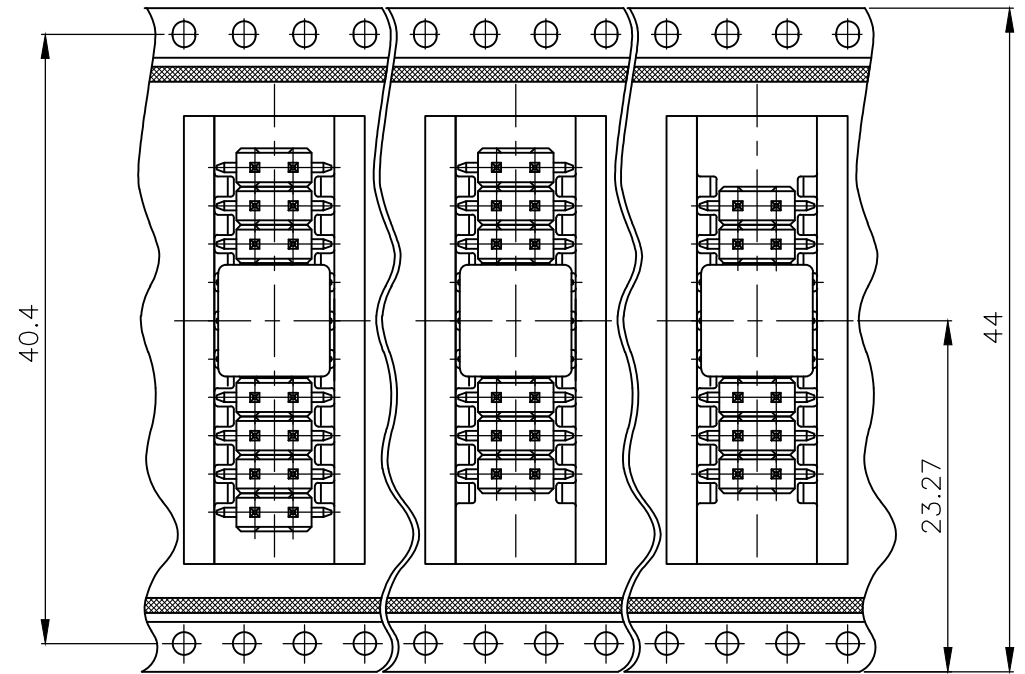
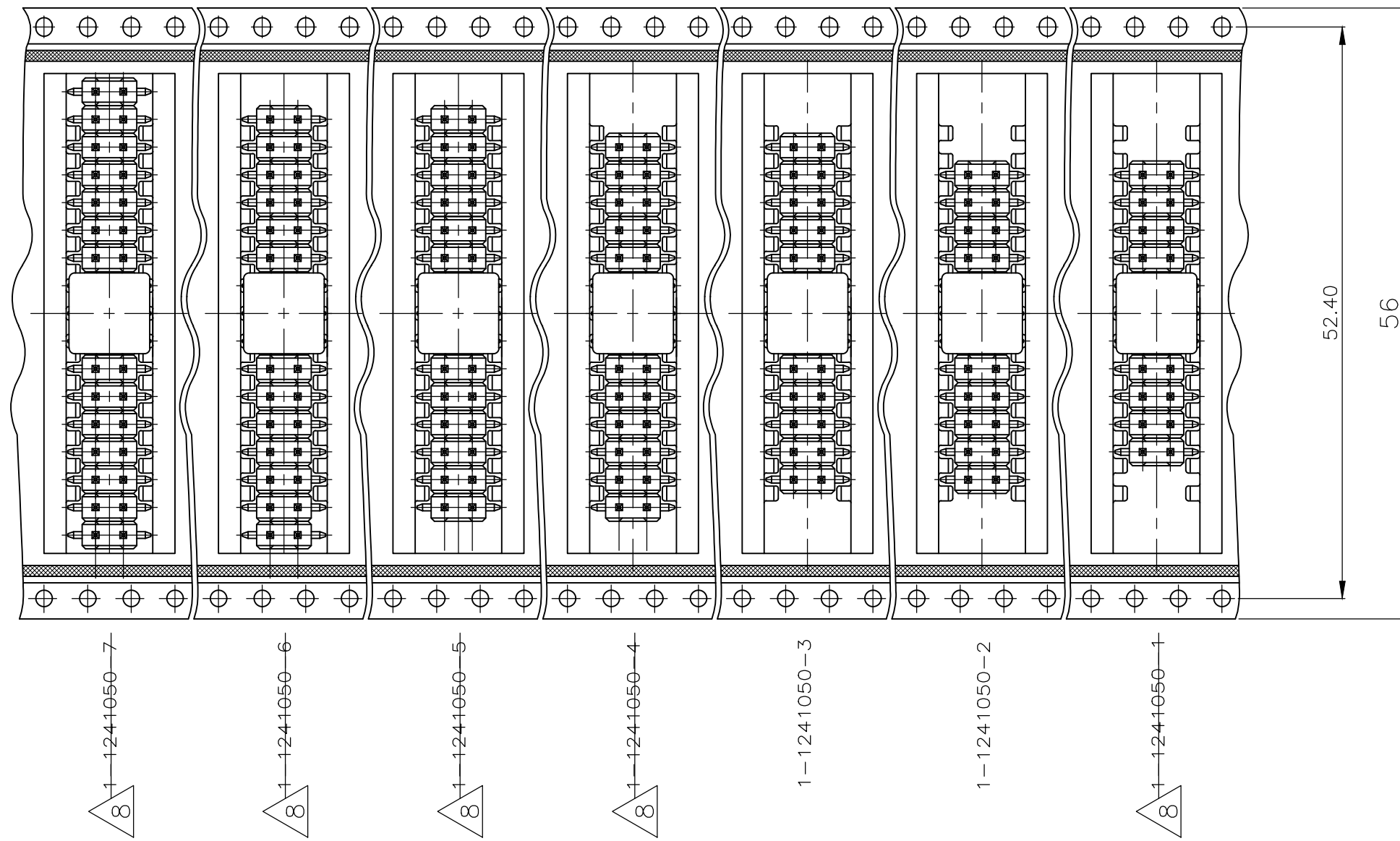
THIS DRAWING IS A CONTROLLED DOCUMENT.		DWN F.REICHARDT 16-SEP-98	TE Connectivity Ltd.	
DIMENSIONS: mm		CHK M.SCHAARSCHMIDT 16-SEP-98	NAME AMPMODU II PIN HEADER PACKED IN BLISTER	
TOLERANCES UNLESS OTHERWISE SPECIFIED: TOL ± 0.2		APVD G.FELDMEIER	PRODUCT SPEC 108-18012	
MATERIAL SEE TABLE		FINISH SEE TABLE	SIZE A2	CAGE CODE 00779
		WEIGHT	DRAWING NO C=1241050	RESTRICTED TO
		CUSTOMER DRAWING	SCALE 6:1	SHEET 1 of 3
			REV B1	

THIS DRAWING IS UNPUBLISHED. RELEASED FOR PUBLICATION SEP. 1998.
 © COPYRIGHT 2010 By - ALL RIGHTS RESERVED.

REVISIONS				
P	LTR	DESCRIPTION	DATE	APVD
-	-	SEE SHEET 1	-	-




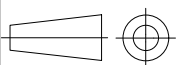
1241050-2



1-1241050-0

1-1241050-9

1241050-8

THIS DRAWING IS A CONTROLLED DOCUMENT.		DWN F. REICHARDT 16-SEP-98	 TE Connectivity Ltd.	
DIMENSIONS: mm		CHK M. SCHAARSCHMIDT 16-SEP-98		
		APVD G. FELDMEIER - NAME PRODUCT SPEC 108-18012 APPLICATION SPEC -		AMPMODU II PIN HEADER PACKED IN BLISTER - -
TOLERANCES UNLESS OTHERWISE SPECIFIED:		WEIGHT -		SIZE A2 CAGE CODE 00779 DRAWING NO. C-1241050 RESTRICTED TO -
MATERIAL -		FINISH -		SCALE 1:1 SHEET 3 of 3 REV B1
		CUSTOMER DRAWING		

Mouser Electronics

Authorized Distributor

Click to View Pricing, Inventory, Delivery & Lifecycle Information:

[TE Connectivity:](#)

[1-1241050-2](#)