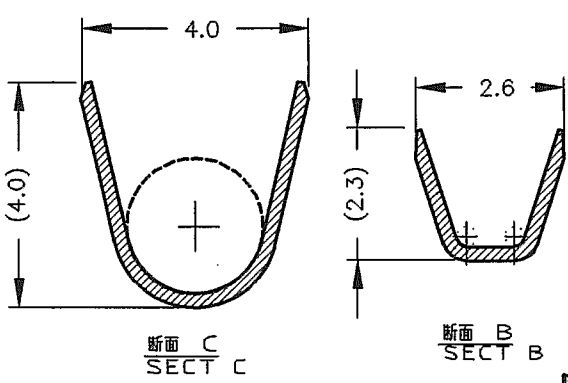
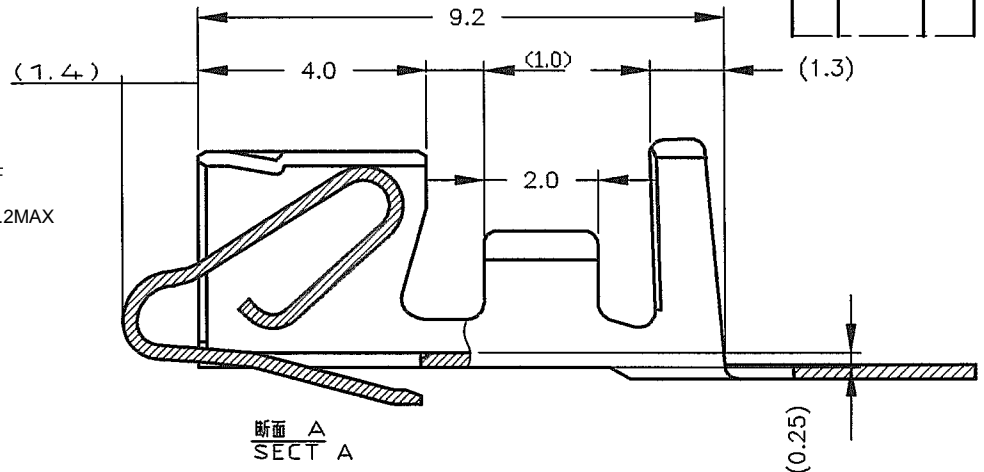
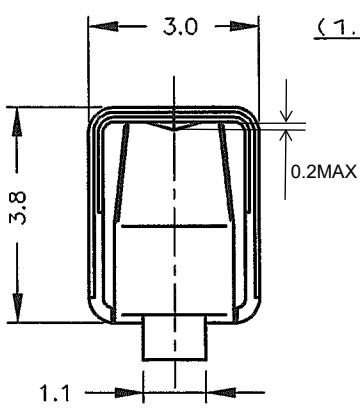
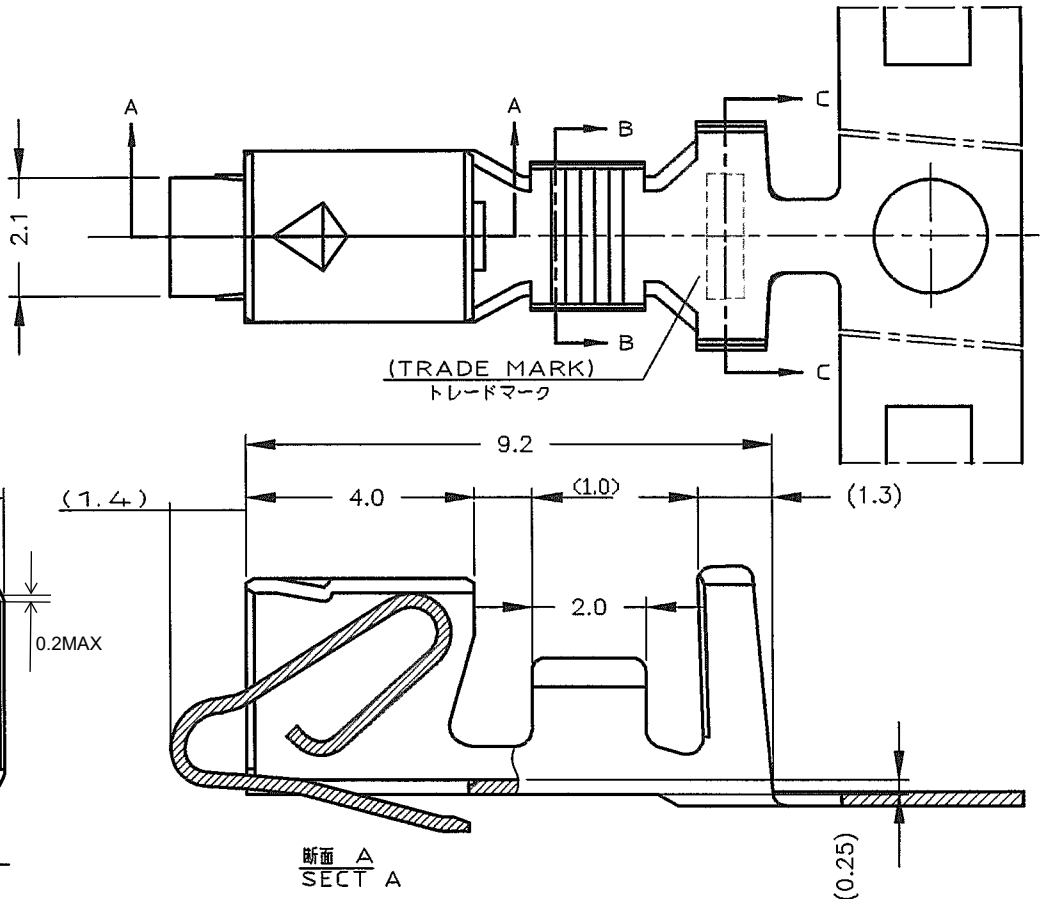


LOC	DIST	REVISIONS					
J	//	P	LTR	DESCRIPTION	DATE	DWN	APVD
		F2		REVISED PER ECR-20-100273	12AUG20	WH	DZ



#	PRE TIN BRASS 前めっき黄銅	1123721-2
1318912-1	PRE TIN PHOS BRO 前めっき黄銅 リン青銅	1123721-1
パラ端子型番	材料	型番
(LOOSE PIECE CONT P/N)	(MATERIAL)	(Part Number)

WIRE RANGE 組合電線断面積	0.3~0.89mm ² (AWG#22~18)	INSULATION DIA 絶縁外径	φ1.7~3.0mm
-----------------------	-------------------------------------	------------------------	------------

THIS DRAWING IS UNPUBLISHED. ALL RIGHTS RESERVED. © COPYRIGHT

DIMENSIONS: 単位: 概 mm	DWN 24 JUN '98 N.YAMASAKI
TOLERANCES UNLESS OTHERWISE SPECIFIED: 一般公差	CHK 24 JUN '98 M.SHINDO
5 <= : ±0.3 > 5 : ±0.4	APVD 24 JUN '98 M.SHINDO
	PRODUCT SPEC 製品規格 108-5609
	APPLICATION SPEC 取付適用規格 114-5253
	WEIGHT //

MATERIAL 材料	表参照 (SEE LABEL)	FINISH 仕上	//
STE TE Connectivity			
NAME 名称 ECONOMY POWER(EP) CONN. REC CONT エコノミーパワー(EP) コネクタ リセコンタクト			
SIZE A4	CAGE CODE 00779	DRAWING NO 番号 C=1123721	RESTRICTED TO

CUSTOMER DRAWING	SCALE 尺度	//	SHEET 1	OF 1	REV F2
------------------	-------------	----	------------	---------	-----------

参考図面

Mouser Electronics

Authorized Distributor

Click to View Pricing, Inventory, Delivery & Lifecycle Information:

[TE Connectivity:](#)

[1123721-3](#)