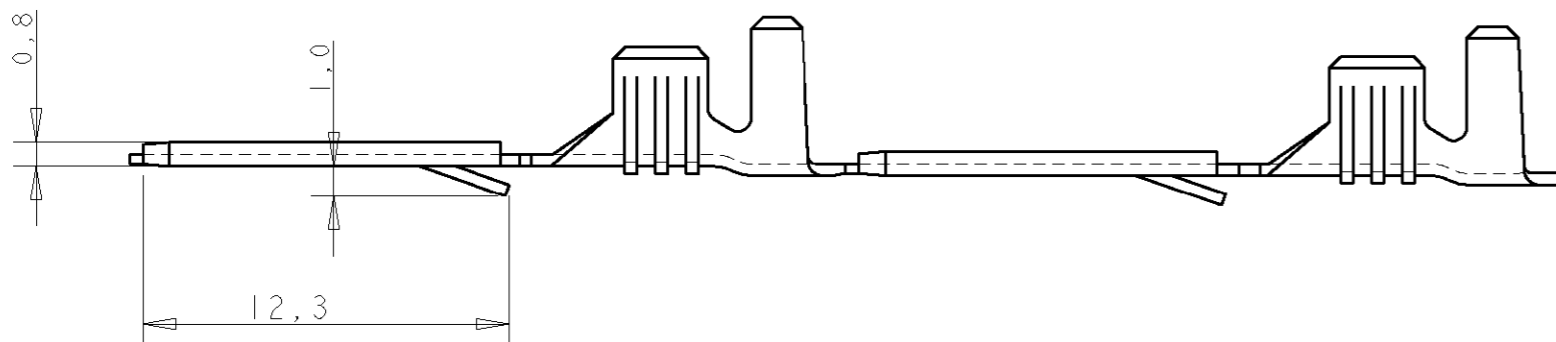
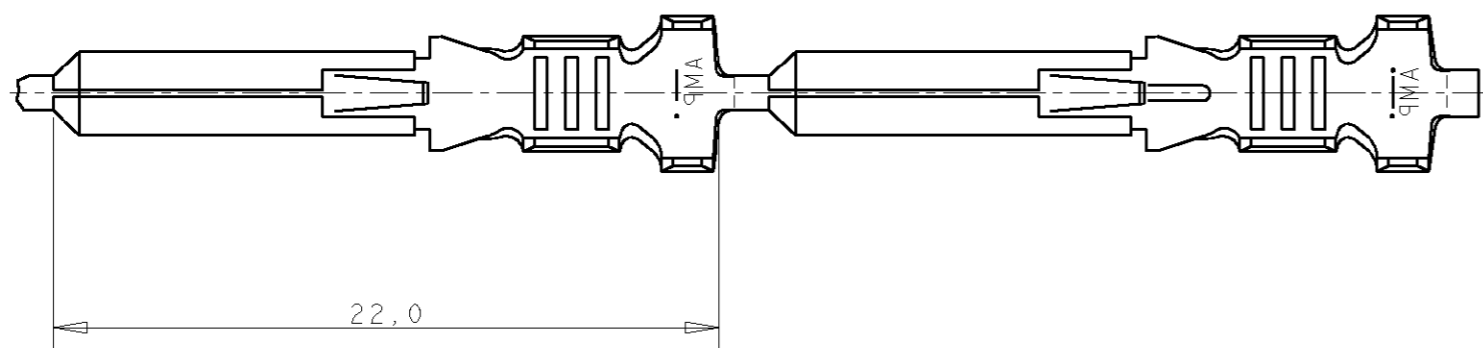
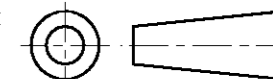


DO NOT SCALE
DIMENSIONS IN INCH

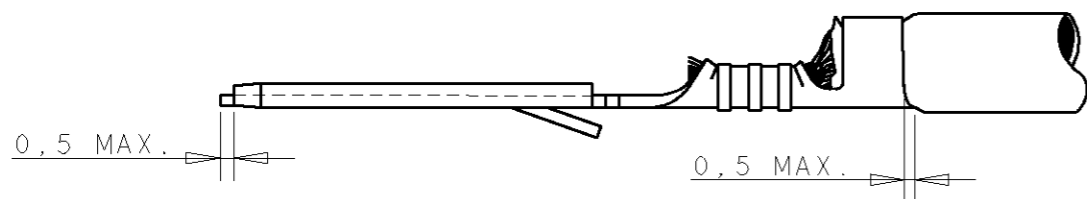
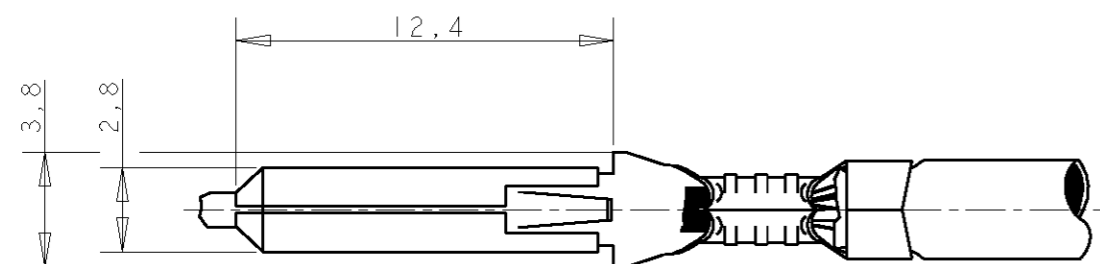
METRIC

THIRD ANGLE
PROJECTION



1 OBSOLETE PARTS: OBSOLETE CIS STREAMLINING PER D.RENAUD/D.SINISI

GENERAL TOLERANCE ± 0.3



1	OBSOLETE	PRE-TINPLATED	BRASS	160174-7
		TIN	PHOSPH. BRONZE	160174-6
		-	PHOSPH. BRONZE	160174-5
1	OBSOLETE	NICKEL	BRASS	160174-4
	OBSOLETE	SILVER	BRASS	160174-3
		TIN	BRASS	160174-2
		-	BRASS	160174-1
		FINISH	MATERIAL	PARTNUMBER

CUSTOMER DRAWING FOR REFERENCE ONLY
WILL NOT BE UPDATED

THIS DRAWING IS UNPUBLISHED
RELEASED FOR PUBLICATION



NAME
.110 SRS. FASTIN FASTON TAB

WIRE RANGE :
0,3-0,56 mm²
INSULATION RANGE :
1,4-2,2 DIA.

D3	REVISED PER ECO-11-005140	RK	HMR	01APR11
LTR.	REVISION RECORD	DR.	CHK.	DATE
DR.:	J.v.LIEMPT	CHK.:	A.BIJNEN	APP.:
DATE:	03 JAN 97	DATE:	-	DATE:

DWG.No.	RESTR. TO	REV.LTR.	SHEET
C-160174		D3	1 OF 1

F
E
D
C
B
A