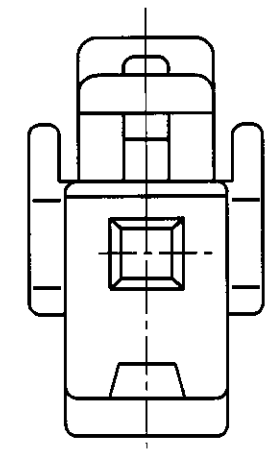
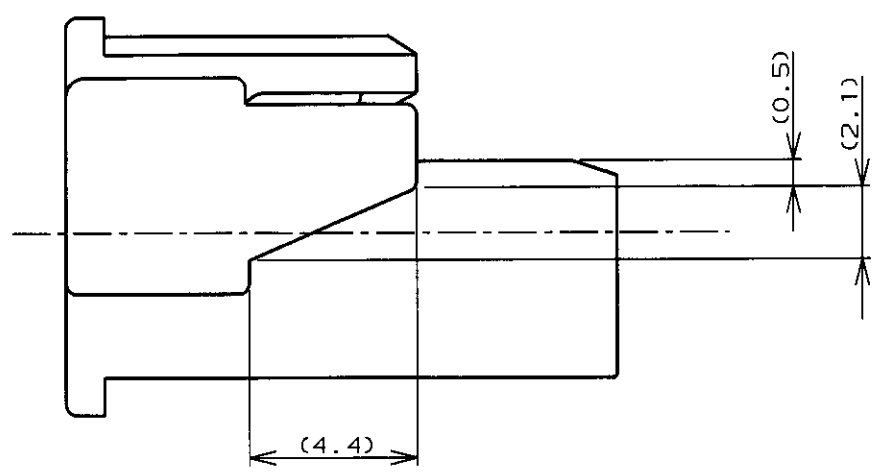
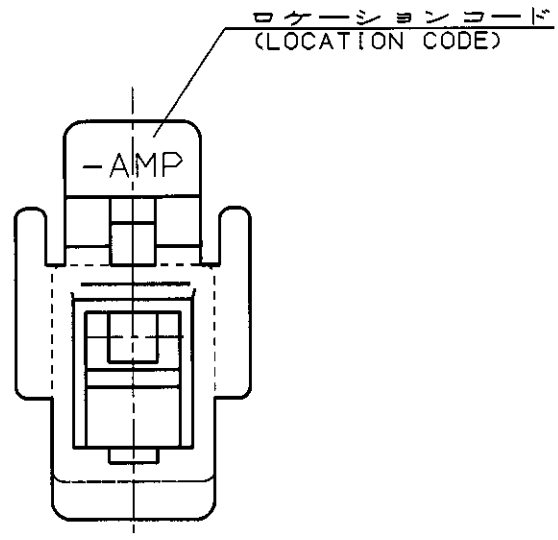
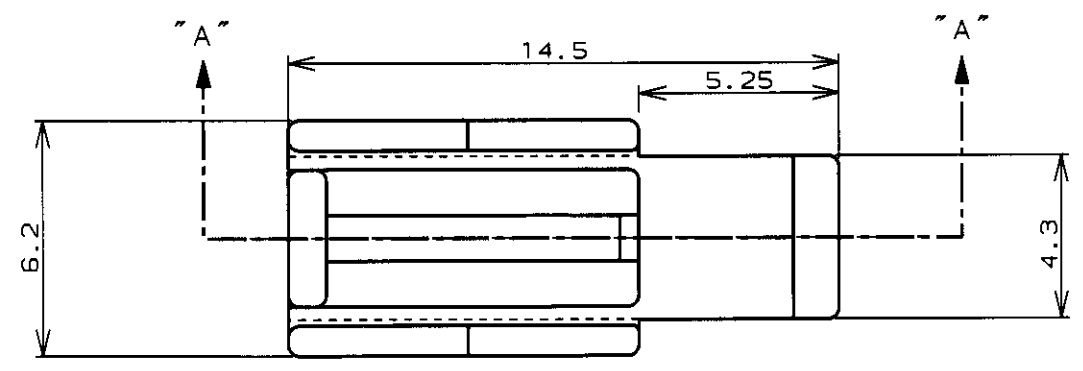
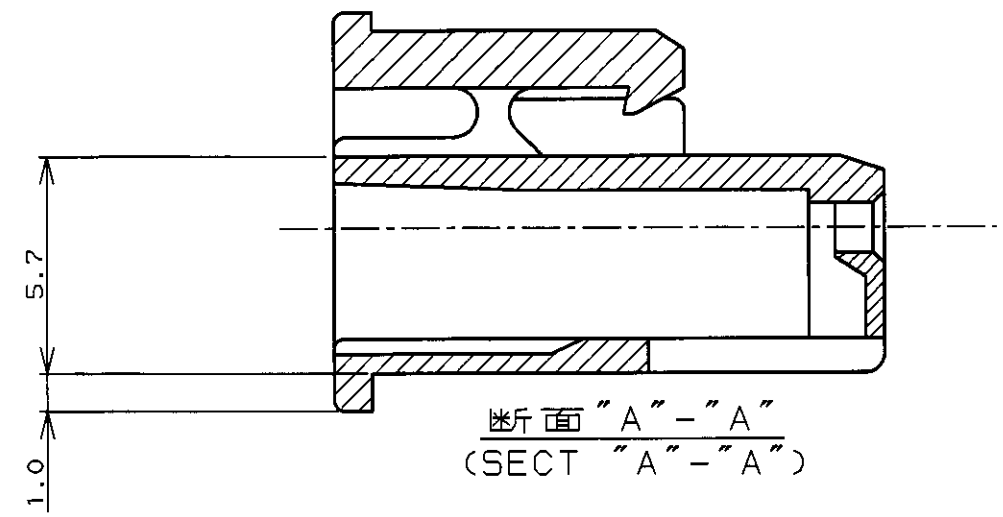


LOC	DIST	REVISIONS						
#	#	P	LTR	DESCRIPTION	ECN	DATE	DWN	APVD
			0	RELEASED	FJ00-1996-98	20 NOV '98	N.Y	M.S
			A	REVISED	FJ00-1229-99	21 Jul '99		



- 注記：
 1. 適用コンタクト型番：0-1123721-1
 2. 嵌合相手側製品型番：[]-1123824-[]

- NOTES:
 1. APPLICABLE CONTACT P/N: 0-1123721-1
 2. MATING CONN P/N: []-1123824-[]

黒 (BLACK)	5-1123823-1
赤 (RED)	4-1123823-1
青 (BLUE)	3-1123823-1
黄 (YELLOW)	2-1123823-1
自然色 (NATURAL)	1-1123823-1
色 (COLOR)	型番 (PART NUMBER)

THIS DRAWING IS A CONTROLLED DOCUMENT FOR AMP INCORPORATED. IT IS SUBJECT TO CHANGE AND THE CONTROLLING ENGINEERING ORGANIZATION SHOULD BE CONTACTED FOR THE LATEST REVISION.		DWN 20 NOV '98 N. YAMASAKI	AMP 日本エー・エム・ピー株式会社 Kawasaki, Japan
DIMENSIONS, 単位・概 mm 		CHK 20 NOV '98 M. SHINDO	
TOLERANCES UNLESS OTHERWISE SPECIFIED 一般公差 10% ±0.2 30% ±0.25 100% ±0.3		APVD 20 NOV '98 M. SHINDO	NAME ECONOMY POWER (EP) CONN. 1POS PLUG HOUSING エコノミ パワー (EP) コネクタ 1POS プラグハウジング
MATERIAL 材料 66 NYLON (UL94V-0) 66ナイロン (UL94V-0)		PRODUCT SPEC 製品規格 108-5609	SIZE CAGE CODE DRAWING NO A3 00779 C=1123823
FINISH 仕上 //		APPLICATION SPEC 取付適用規格 //	RESTRICTED TO
WEIGHT //		CUSTOMER DRAWING	
		SCALE 5:1 SHEET 1 OF 1	REV A

Mouser Electronics

Authorized Distributor

Click to View Pricing, Inventory, Delivery & Lifecycle Information:

[TE Connectivity:](#)

[1-1123823-1](#)