

THIS DRAWING IS UNPUBLISHED.

RELEASED FOR PUBLICATION

2000

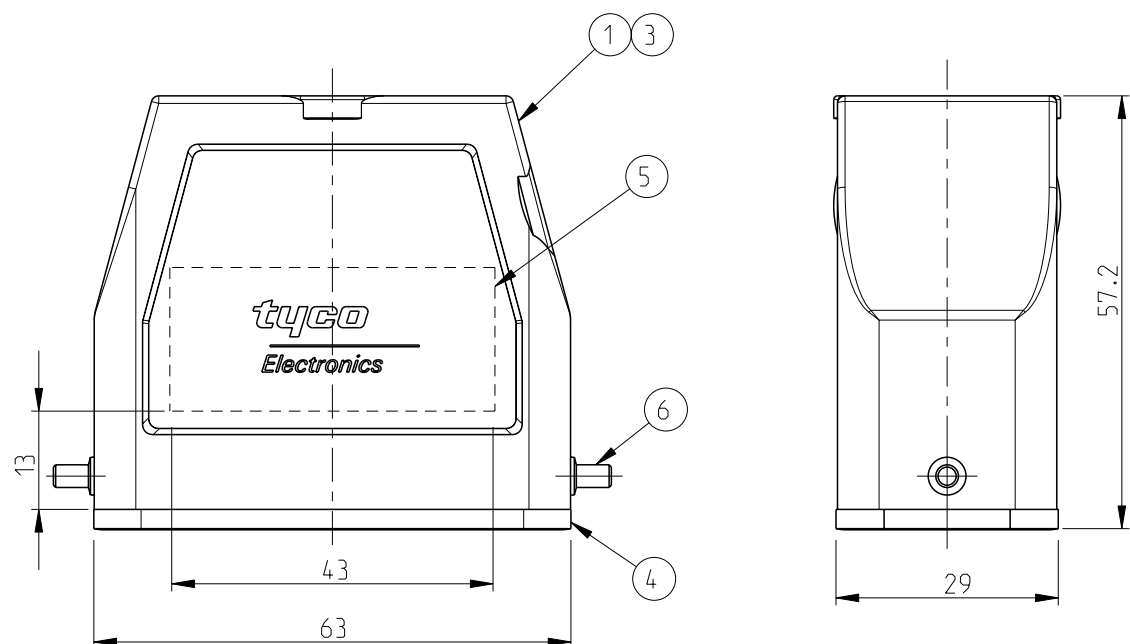
© COPYRIGHT 2000 BY -

ALL RIGHTS RESERVED.

REVISIONS

P	LTR	DESCRIPTION	DATE	DWN	APVD
C4		ECR-10-016845	12AUG2010	GW	BR
C5		REVISED PER ECR-17-013084	10JAN2018	SRG	MKO

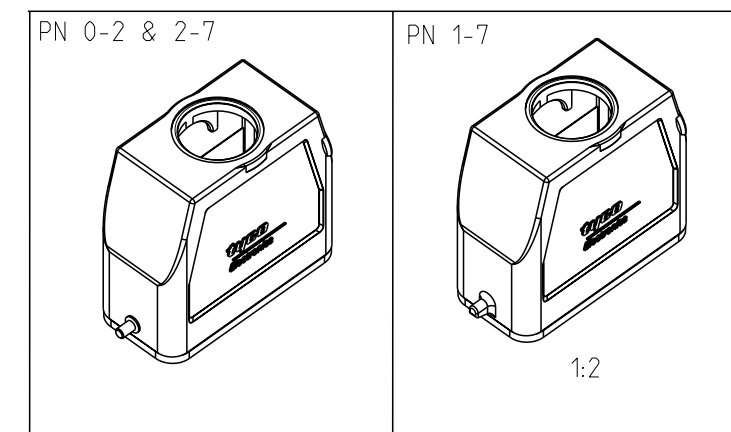
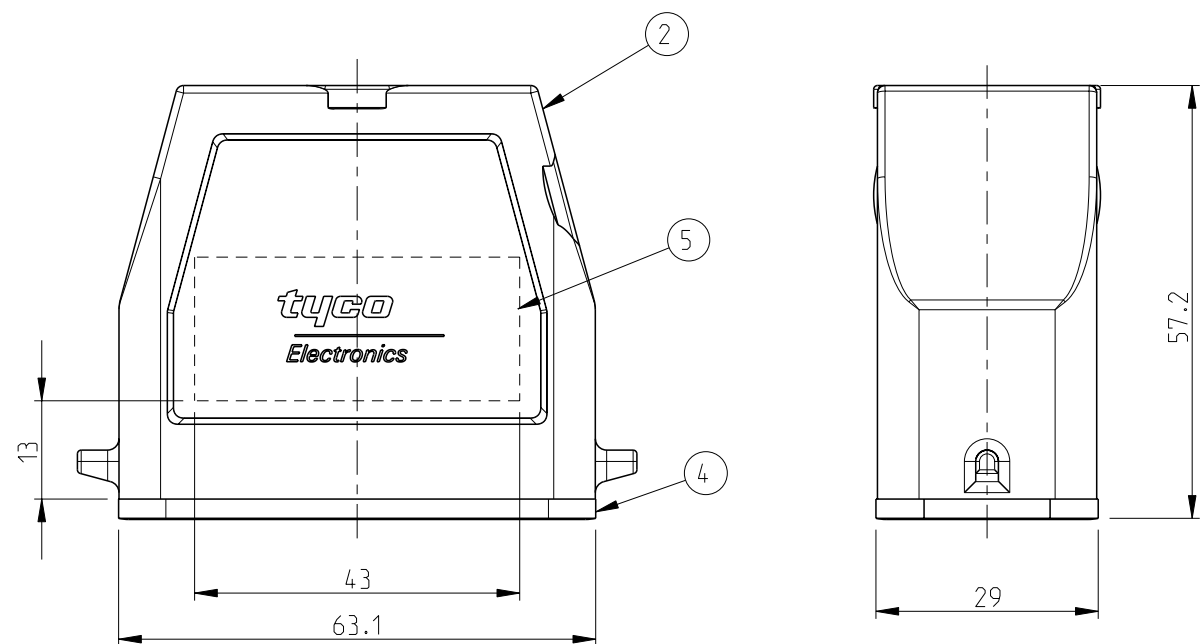
PN 0-2 & 2-7



NOTES

- 1 PACKAGING  
PACKAGING QUANTITY:5 PIECES PER BOX
- 2 MATERIAL:HOUSING ALUMINIUM DIECASTING ALLOY  
SEALS:NEOPRENE
- 3 SURFACE:POWDER COATED  
CORROSION PROTECTION
- 4 VARNISH ON THE INSIDE NOT NECESSARY

PN 1-7



OBSOLETE

QTY	DESCRIPTION	MATERIAL	SURFACE	COLOR	ITEM NO	REMARKS
2	CLIP BOLT	STAINLESS STEEL	BLANK	-	6	
2	INSULATING TAPE	COROPLAST TYP 303	-	GREY	5	PVC-SOFT
1	PROFILE SEAL	NEOPRENE	-	BLACK	4	-
1	HOOD HA-K	ALUMINIUM	ALUMINIUM OXIDE	BLACK RAL 9005	3	-
-	HOOD HA	ALUMINIUM	-	GREY RAL 7001	2	-
-	HOOD HA-K	ALUMINIUM	ALUMINIUM OXIDE	WHITE ALUMINIUM RAL 9006	1	-

QTY	DESCRIPTION	MATERIAL	SURFACE	COLOR	ITEM NO	REMARKS
2-7	HA-K.10.STO.1.16.G					1 PACKAGING
1-7	HA.10.STO.1.16.G					1 PACKAGING
0-2	HA-K.10.STO.1.16.G					1 PACKAGING

THIS DRAWING IS A CONTROLLED DOCUMENT.

DWN S.KUMAR 23.02.2006  
 CHK R.SRINIVAS 23.02.2006  
 APVD T.SCHNURPFIL 23.02.2006



DIMENSIONS: mm



TOLERANCES UNLESS OTHERWISE SPECIFIED:

0 PLC	±
1 PLC	±
2 PLC	±
3 PLC	±
4 PLC	±
ANGLES	±

MATERIAL material\_2

FINISH finish\_spec\_2

PRODUCT SPEC 108-74009  
 APPLICATION SPEC 114-74001  
 WEIGHT -

NAME HOOD HA.10.STO.1.16.G

SIZE A3 CAGE CODE 00779 DRAWING NO C-1102120 RESTRICTED TO

CUSTOMER DRAWING SCALE 1:1 SHEET 1 OF 1 REV C5

# Mouser Electronics

Authorized Distributor

Click to View Pricing, Inventory, Delivery & Lifecycle Information:

[TE Connectivity:](#)

[1-1102120-7](#)