

4

3

2

1

THIS DRAWING IS UNPUBLISHED
VERTRAULICHE UNVERÖFFENTLICHE ZEICHNUNG

RELEASE FOR PUBLIKATION
FREI FUER VERÖFFENTLICHUNG

MATED WITH:
PASSEND ZU:

LOC AI
DIST -

REVISIONS
ÄNDERUNGEN

© COPYRIGHT 2000

BY AMP INCORPORATED

ALL RIGHTS RESERVED
ALLE RECHTE VORBEHALTEN

BG5

P LTR

DESCRIPTION
BESCHREIBUNG

DATE

DWN

APVD

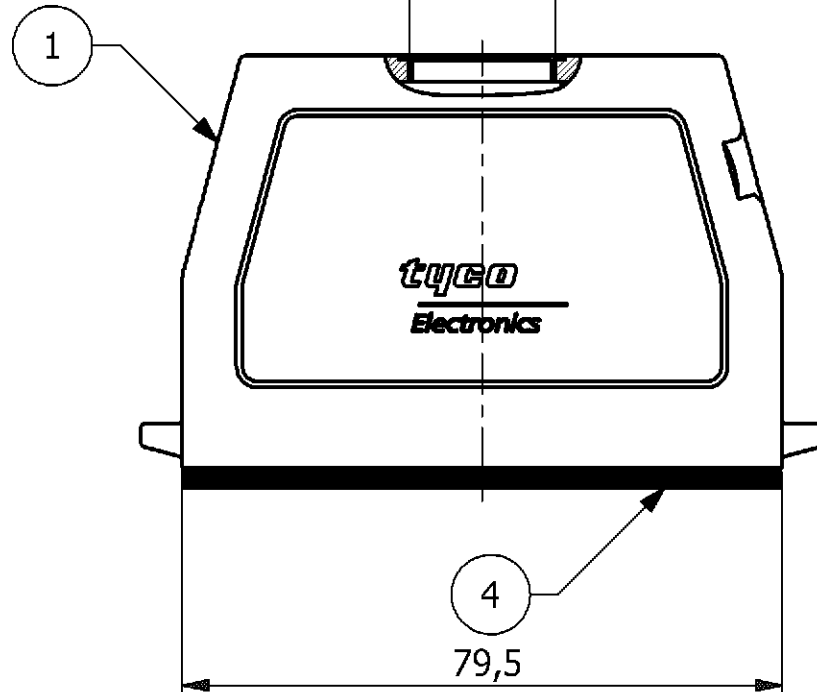
PROJEKT NR.
EGGMA05416

C2 ECR-16-016780

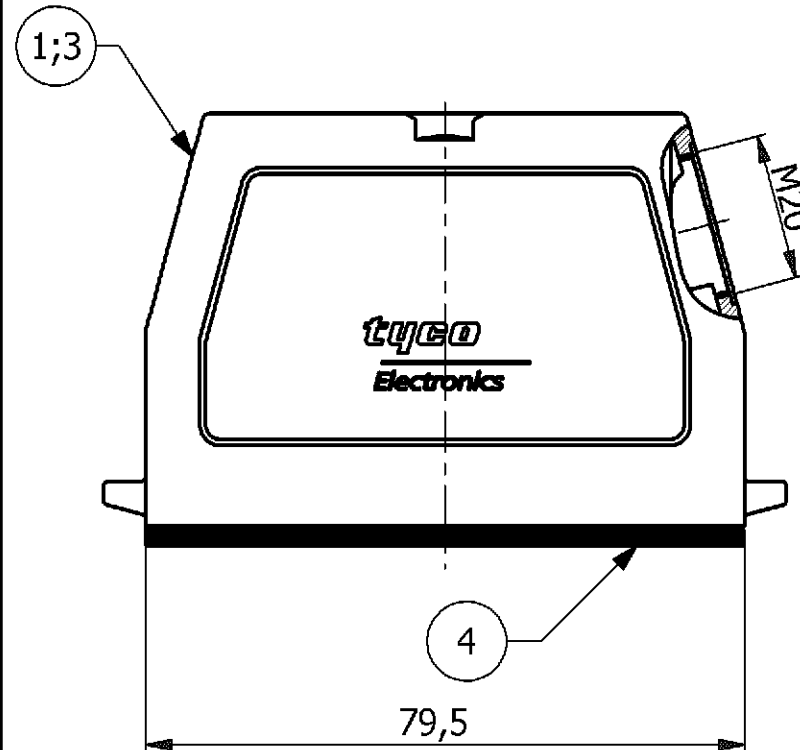
23SEP2017

GA

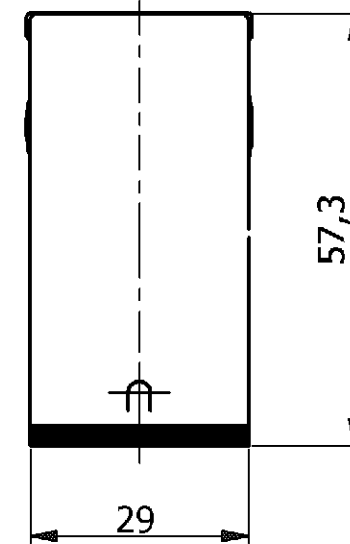
MKO



PN 0-1 & 0-6 as shown

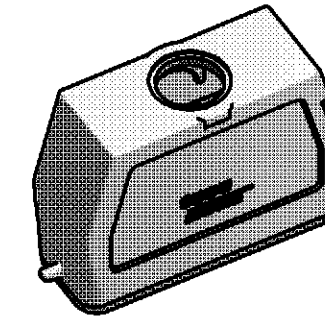


PN 0-2, 0-4 & 0-7 as shown

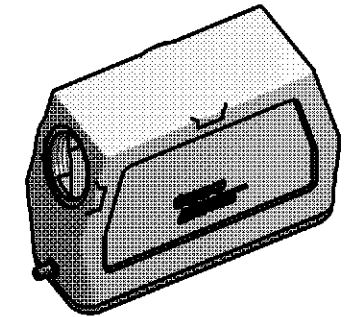


NOTES

- 1 PACKAGING QUANTITY: 5 PIECES PER BOX
- 2 MATERIAL: SEE TABLE
- 3 SURFACE: -GREY
- VARNISH BLACK
- 4 VARNISH ON THE INSIDE NOT NECESSARY
- 5 OBSOLETE



PN 0-1 & 0-6



PN 0-2, 0-4 & 0-7

		OBSOLETE		OBSOLETE							
QTY	ITEM NO.	DESCRIPTION	MATERIAL	SURFACE	COLOR	ITEM NO.	REMARKS				
1	1	Profile Seal	Neoprene	-	Black	4	-				
-	-	HA Hood	Aluminium	HC	Black	3	-				
-	1	HA Hood	Aluminium	-	Black	2	-				
1	1	HA Hood	Aluminium	-	Grey	1	-				
0-7	0-6	0-5	0-4	0-2	0-1						
ORDERING TEXT											
HA.16.STO.1.M20.G											
HA.16.STS.1.M20.G											
HA-K.16.STS.1.M20.G											
HA.16.STS.1.M20.G											
HA.16.STO.1.M20.G.KM											
HA.16.STS.1.M20.G.KM											

DIMENSIONS: DIMENSIONEN: mm		TOLERANCES UNLESS OTHERWISE SPECIFIED: ALLGEMEINTOLERANZEN		DWN P.BENNUR 2/24/2006 CHK R.SRINIVAS 2/24/2006 APVD T.SCHNURPFEL 2/24/2006			
		n. ISO 8015 - mH-E n. ISO 2768 - 140 n. DIN 16901-		PRODUCT SPEC. 108-74009 APPLICATION SPEC. 114-74001		NAME HOOD HA.16.STS/STO.1.M20.G	
MATERIAL		FINISH / OBERFLÄCHE / FARBE		WEIGHT GEWICHT		SIZE A3 CAGE CODE 00779 DRAWING NO. 1106439	
				CUSTOMER DRAWING / KUNDENZEICHNUNG		RESTRICTED TO NUR FUER	
SCALE MASSSTAB 1:1						SHEET BLATT 1 OF VON 1	
						REV. C2	

H:\HTSP\projects\ES200A\05_410_HA-HD Hood and housing\HA_1106439_C_1106439.dwg

Mouser Electronics

Authorized Distributor

Click to View Pricing, Inventory, Delivery & Lifecycle Information:

[TE Connectivity:](#)

[1106439-1](#)