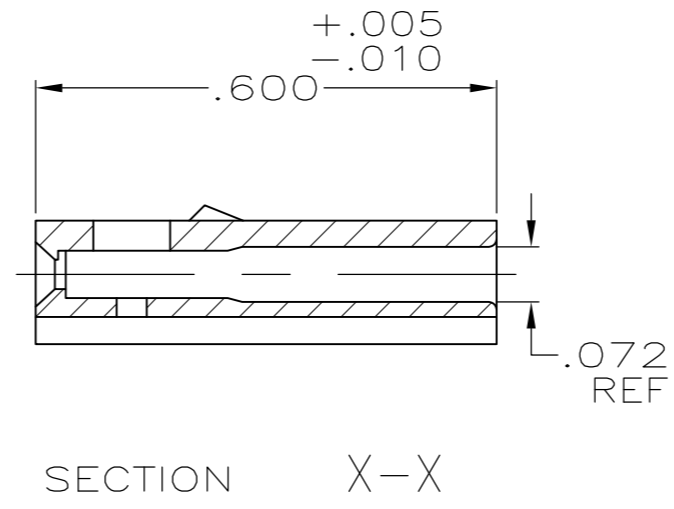
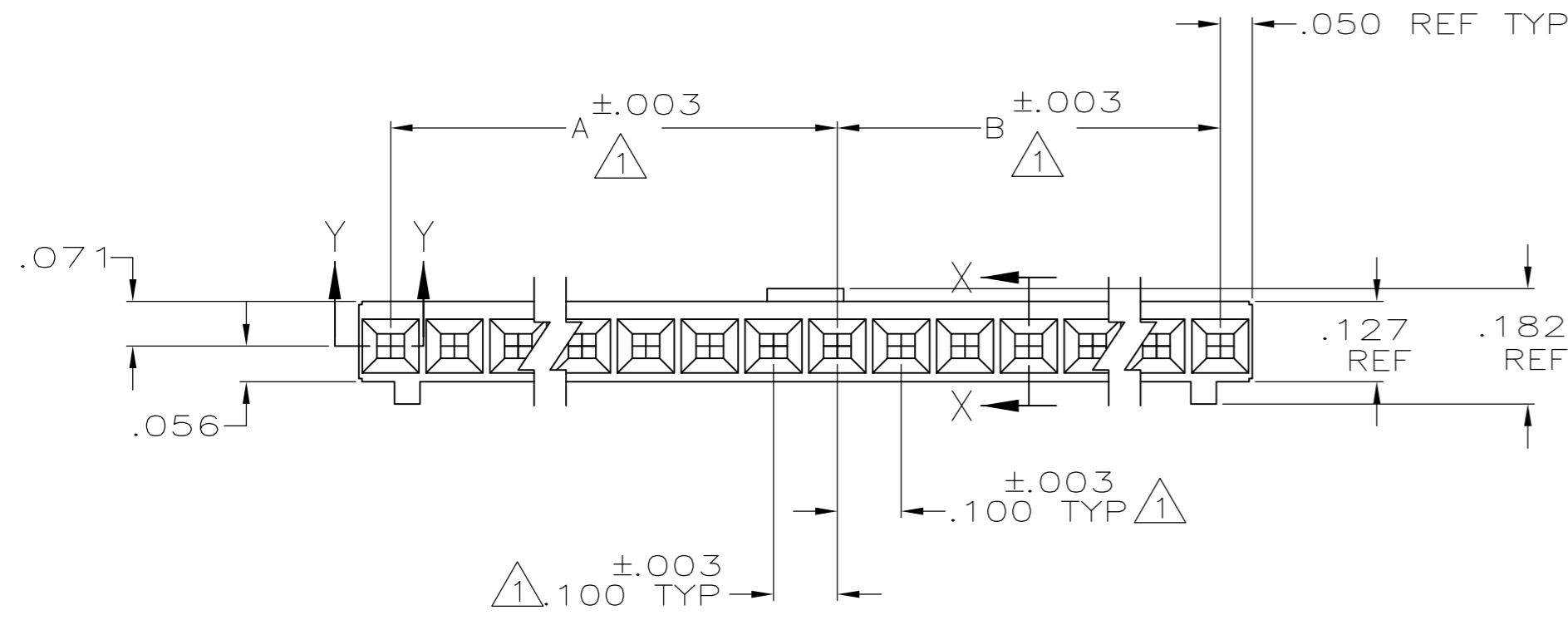
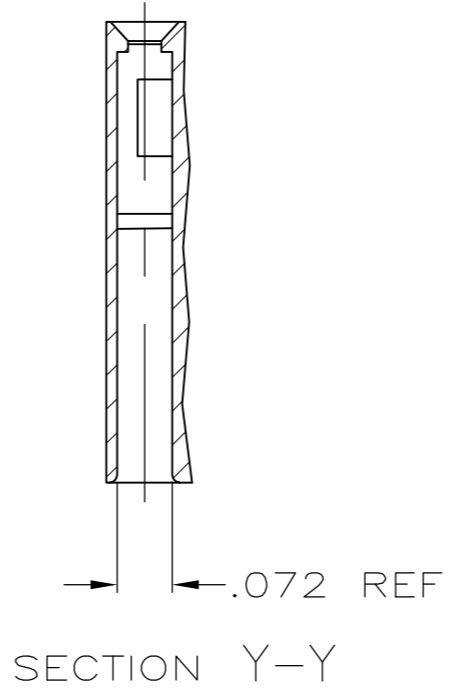
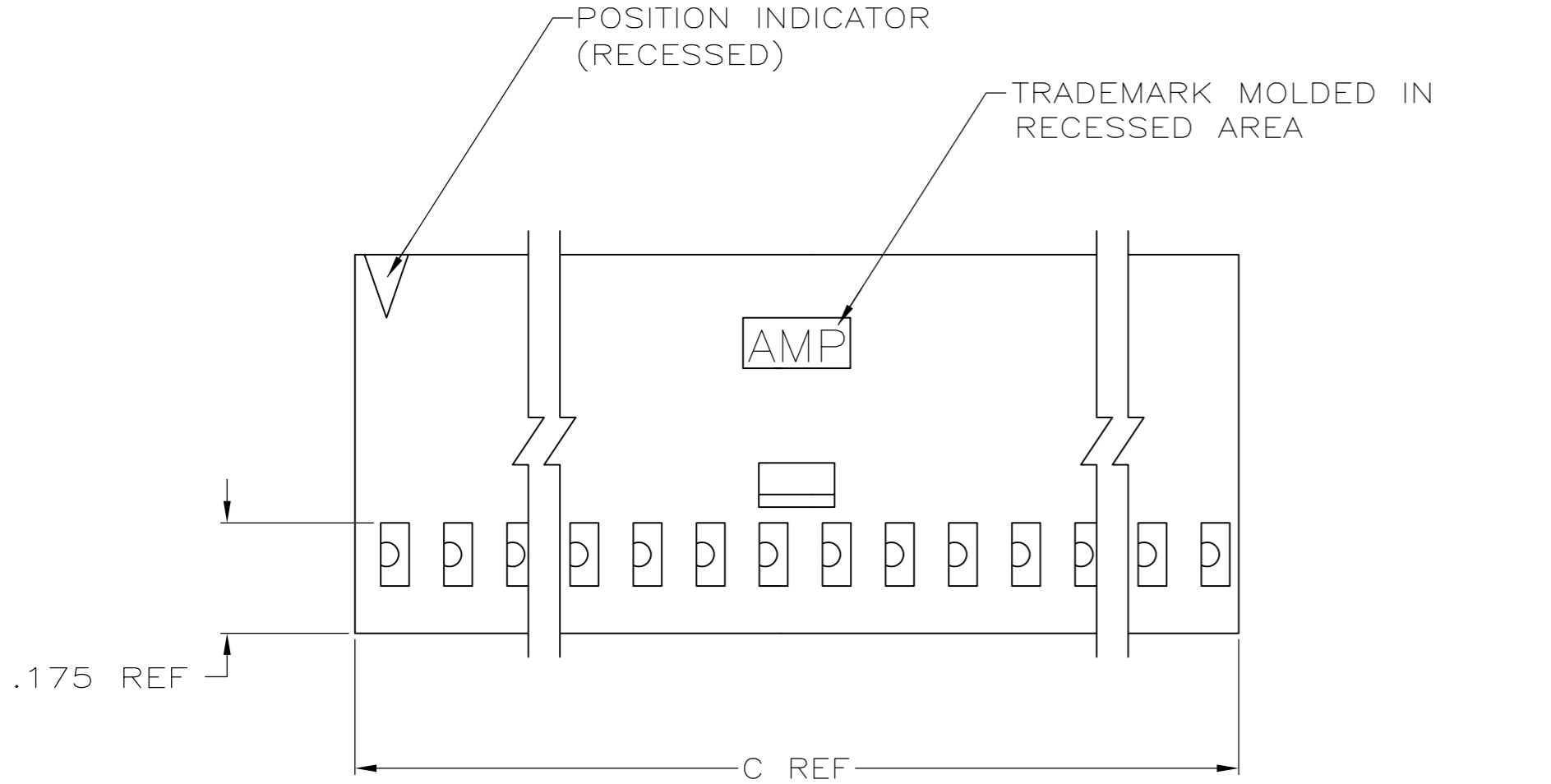


THIS DRAWING IS UNPUBLISHED. RELEASED FOR PUBLICATION
 © COPYRIGHT - By - ALL RIGHTS RESERVED.

LOC	DIST	REVISIONS			
P	LTR	DESCRIPTION	DATE	DWN	APVD
AD	39				
	N3	REVISED PER ECO-11-004587	11MAR11	RK	HMR



3	C	B	A	NO OF POS	PART NUMBER
3	3.600	1.700	1.800	36	3-102241-4
3	3.500	1.700	1.700	35	3-102241-3
3	3.400	1.600	1.700	34	3-102241-2
3	3.300	1.600	1.600	33	3-102241-1
3	3.200	1.500	1.600	32	3-102241-0
3	3.100	1.500	1.500	31	2-102241-9
3	3.000	1.400	1.500	30	2-102241-8
3	2.900	1.400	1.400	29	2-102241-7
3	2.800	1.300	1.400	28	2-102241-6
3	2.700	1.300	1.300	27	2-102241-5
3	2.600	1.200	1.300	26	2-102241-4
3	2.500	1.200	1.200	25	2-102241-3
3	2.400	1.100	1.200	24	2-102241-2
3	2.300	1.100	1.100	23	2-102241-1
3	2.200	1.000	1.100	22	2-102241-0
3	2.100	1.000	1.000	21	1-102241-9
3	2.000	.900	1.000	20	1-102241-8
3	1.900	.900	.900	19	1-102241-7
3	1.800	.800	.900	18	1-102241-6
3	1.700	.800	.800	17	1-102241-5
3	1.600	.700	.800	16	1-102241-4
3	1.500	.700	.700	15	1-102241-3
3	1.400	.600	.700	14	1-102241-2
3	1.300	.600	.600	13	1-102241-1
3	1.200	.500	.600	12	1-102241-0
3	1.100	.500	.500	11	102241-9
3	1.000	.400	.500	10	102241-8
3	.900	.400	.400	9	102241-7
3	.800	.300	.400	8	102241-6
3	.700	.300	.300	7	102241-5
3	.600	.200	.300	6	102241-4
3	.500	.200	.200	5	102241-3
3	.400	.100	.200	4	102241-2
3	.300	.100	.100	3	102241-1

- 1 CAVITY LOCATION DIMENSIONS INCREASE IN INCREMENTS OF .100 TOLERANCE NON-CUMULATIVE
- 2 USE EXTRACTION TOOL 91052-1 TO REMOVE RECEPTACLE CONTACTS
- 3 OBSOLETE PARTS: OBSOLETE CIS STREAMLINING PER D.RENAUD/D.SINISI

THIS DRAWING IS A CONTROLLED DOCUMENT.

DWN D FABIAN 8-2-78
 CHK B WOLFE 10-27-78

TE Connectivity

CONN HOUSING, CRIMP SNAP-IN
 MOD IV, SINGLE ROW, .100
 CENTERS, WITH POLARIZATION AND DETENTS

SIZE A2 CAGE CODE 00779 C=102241

CUSTOMER DRAWING SCALE 1 OF 1 SHEET REV N3

DIMENSIONS:	TOLERANCES UNLESS OTHERWISE SPECIFIED:	FINISH
INCHES		
0 PLC	± -	
1 PLC	± -	
2 PLC	± -	
3 PLC	± .005	
4 PLC	± -	
ANGLES	± -	

MATERIAL: GLASS FILLED NYLON, FLAME RETARDANT, COLOR: BLACK PER ASTM D4066

Mouser Electronics

Authorized Distributor

Click to View Pricing, Inventory, Delivery & Lifecycle Information:

[TE Connectivity:](#)

[1-102241-4](#)