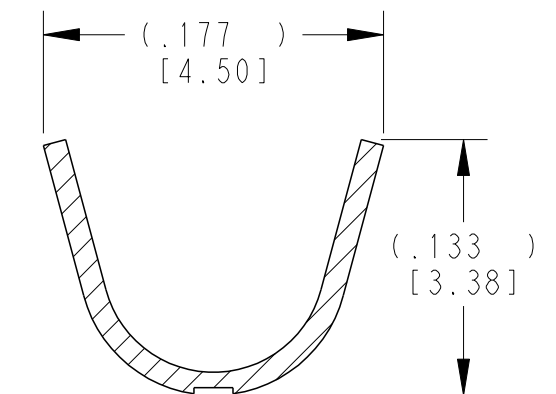
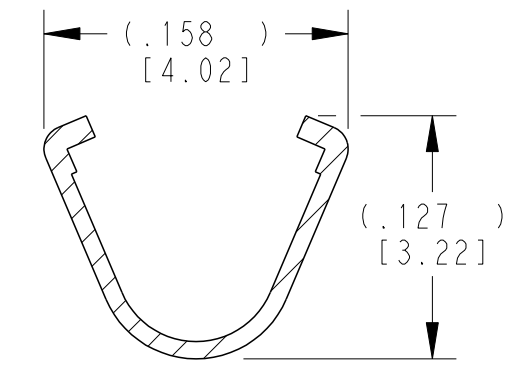
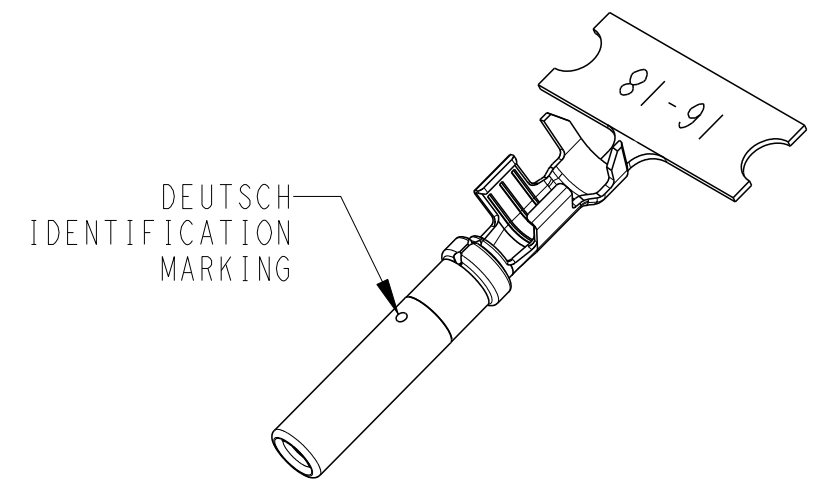


LOC	DIST	REVISIONS					
		P	LTR	DESCRIPTION	DATE	DWN	APVD
			J	REVISED PER ECO-15-007761	28MAY2015	RL	DM
			K	REVISED PER PCN E-20-008101	12JUN2020	DM	DM



SECTION A-A
WIRE BARREL

SECTION B-B
INSULATION BARREL

5 TIN PLATING MAY BE IN THIS REGION.

4 TIN PLATED REGION.

3 MATERIAL:
BODY: .012 [0.30] THICK COPPER ALLOY
SLEEVE: STAINLESS STEEL

2. WIRE RANGE: 18 AWG TO 14 AWG [0.75-2.0 mm²]
INSULATION RANGE: \varnothing .075-.140 [\varnothing 1.91-3.56]

1 GOLD PLATED REGION.

NOTES: UNLESS OTHERWISE SPECIFIED

TE INTERNAL PN	DEUTSCH PN	PLATING
1062-16-0122	1062-16-0122	Ni/Cu overall, Sn/Ni/Cu Wire Barrel
1062-16-0144	1062-16-0144	Selective Au, Ni/Cu overall, Sn/Ni/Cu Wire Barrel
1062-16-0177	1062-16-0177	Sn/Ni/Cu overall

THIS DRAWING IS A CONTROLLED DOCUMENT.		DWN M. BLUM 03NOV1999	TE Connectivity				
DIMENSIONS: INCHES [mm]		CHK A. ROLINSKI 08DEC2000					
TOLERANCES UNLESS OTHERWISE SPECIFIED:		APVD R. REED 08DEC2000	NAME SOCKET, STAMPED AND FORMED SIZE 16 14-18AWG				
0 PLC ± 1 PLC ± 2 PLC ± 3 PLC ±.025 [0.64] 4 PLC ± ANGLES ±		PRODUCT SPEC 108-151000	SIZE A3	CAGE CODE 4AFU8	DRAWING NO C=1062-16-01XX	RESTRICTED TO -	
MATERIAL 3		FINISH SEE TABLE	WEIGHT 0.43 g	SCALE 6:1		SHEET 1 OF 1	REV K
		Customer Drawing					

Mouser Electronics

Authorized Distributor

Click to View Pricing, Inventory, Delivery & Lifecycle Information:

[TE Connectivity:](#)

[1062-16-0122](#)