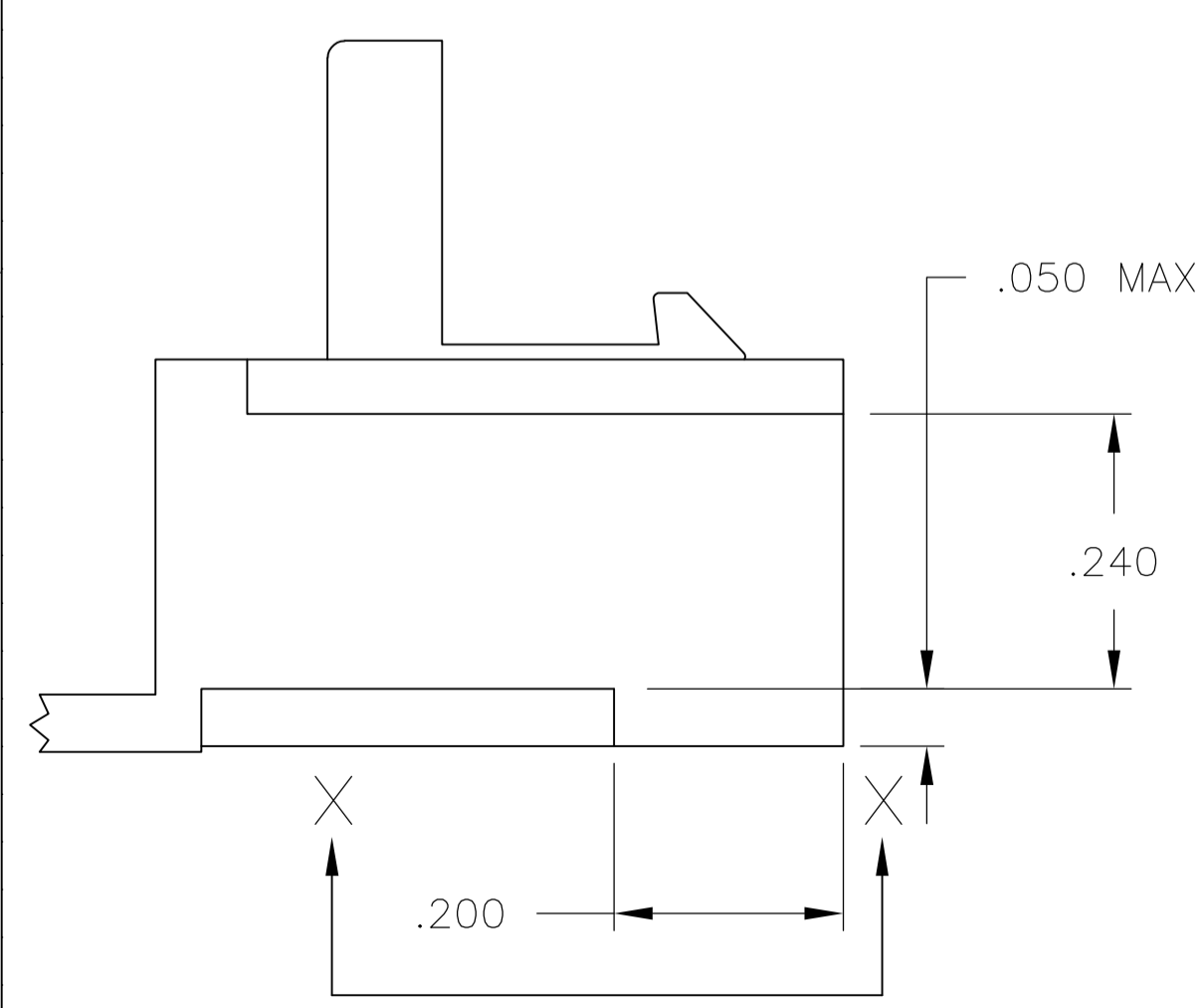
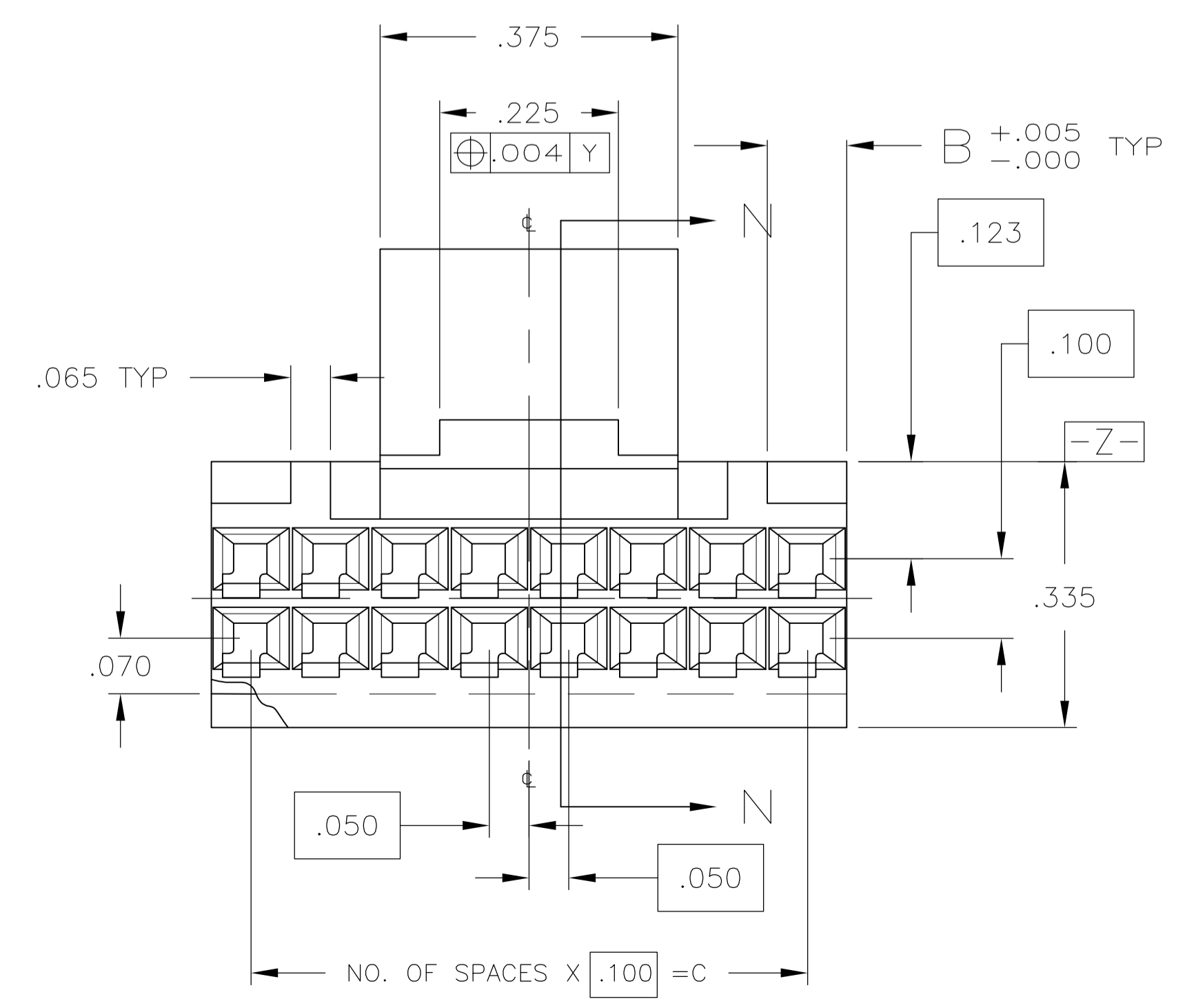
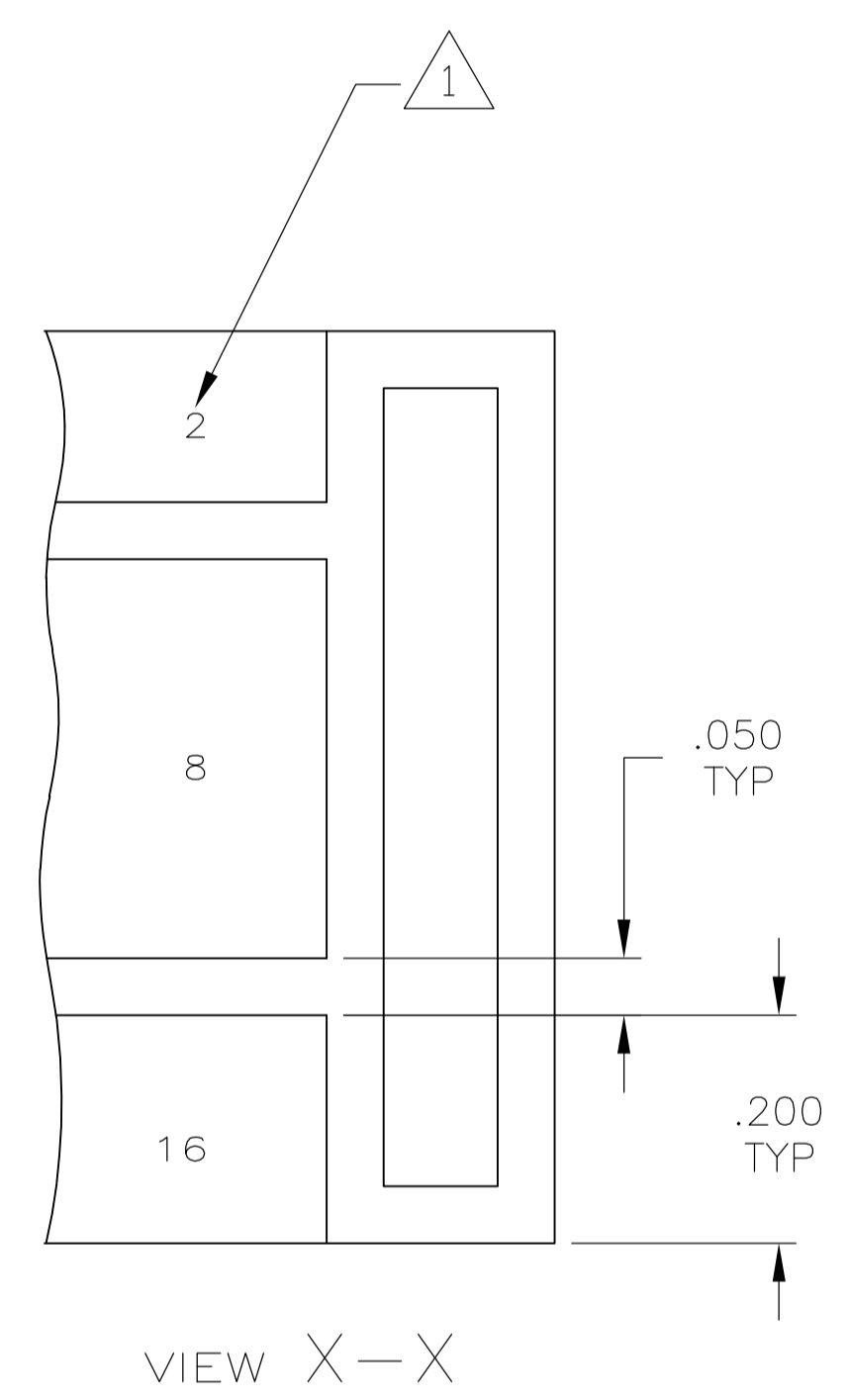


SECTION N-N  
SCALE 6:1

- ① CAVITY ID'S AND AMP TRADEMARKS MOLDED IN AT LOCATIONS SHOWN. SEE CHART FOR CAVITY ID NOS.
- ② HOUSING: FLAME RETARDANT THERMOPLASTIC, COLOR-BLACK.



2,10,20	.900	.185	1.000	9	20	104422-2
2,8,16	.700	.085	.800	7	16	104422-1
CAVITY ID NOS	C	B	A	NO OF SPACES	NO OF POSN	ASSEMBLY PART NUMBER

THIS DRAWING IS A CONTROLLED DOCUMENT.		DIN D. NATION 10-19-88	<b>STE</b> TE Connectivity
DIMENSIONS: INCHES		CHK C. OBERMAN 11-1-88	
TOLERANCES UNLESS OTHERWISE SPECIFIED:		APVD	NAME
0. PLC	± .005	PRODUCT SPEC	HOUSING, MOD IV, DBL ROW, .100 X .100 C/L, WITH POLARIZATION & LATCH
1. PLC	± .005	APPLICATION SPEC	SIZE CAGE CODE DRAWING NO RESTRICTED TO
2. PLC	± .005	WEIGHT	A1 00779 C=104422
3. PLC	± .005	CUSTOMER DRAWING	SCALE 6:1 SHEET 1 OF 1 REV H1
4. PLC	± .005		
ANGLES	± .005		

# Mouser Electronics

Authorized Distributor

Click to View Pricing, Inventory, Delivery & Lifecycle Information:

[TE Connectivity:](#)

[104422-1](#)