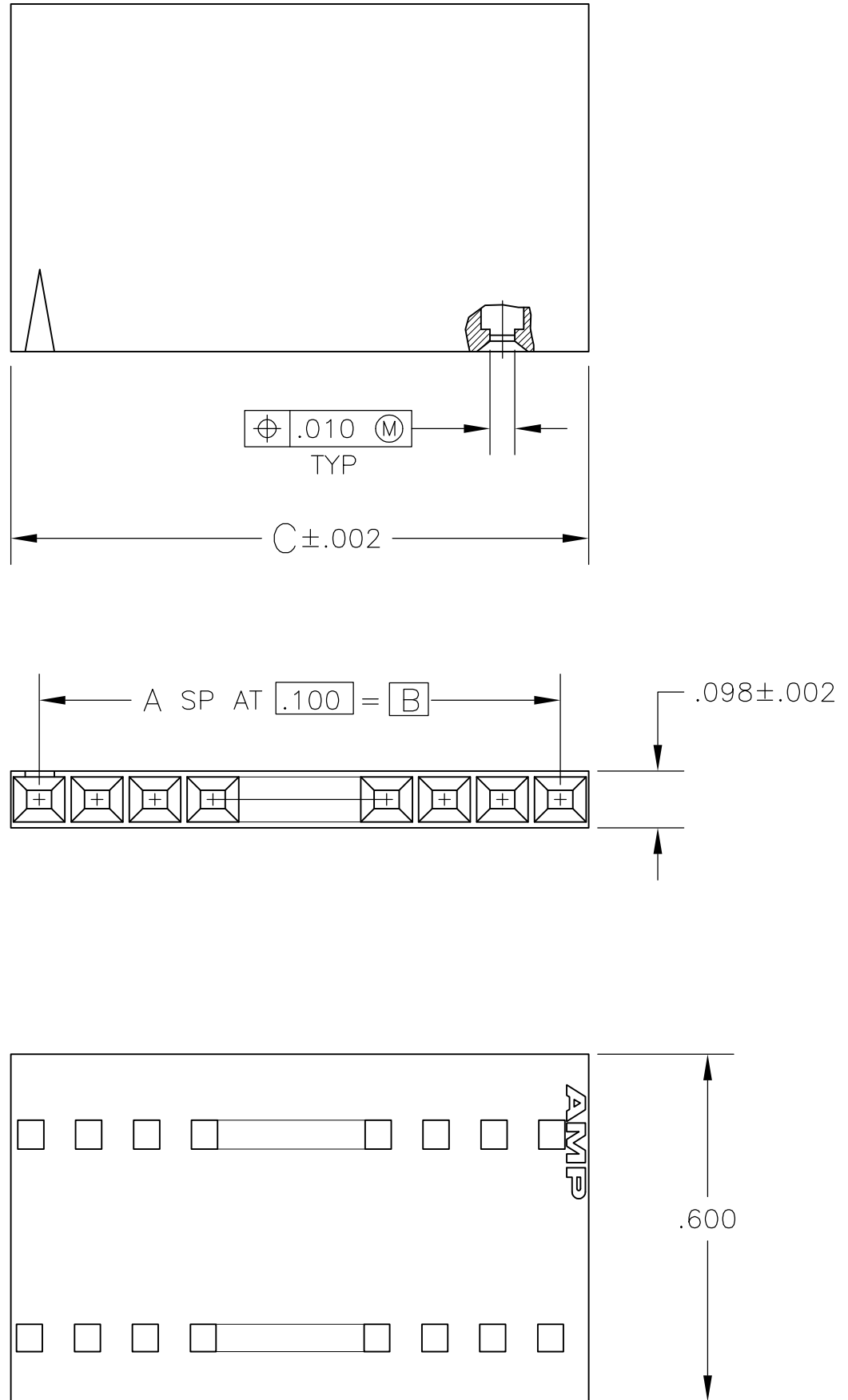


THIS DRAWING IS UNPUBLISHED. RELEASED FOR PUBLICATION
 © COPYRIGHT - By - ALL RIGHTS RESERVED.

LOC	DIST	REVISIONS					
AD	00	P	LTR	DESCRIPTION	DATE	OWN	APVD
		K1		REVISED PER ECO-11-004587	11MAR11	RK	HMR



2.498	2.400	24	25	2-103688-4
2.398	2.300	23	24	2-103688-3
2.298	2.200	22	23	2-103688-2
2.198	2.100	21	22	2-103688-1
2.098	2.000	20	21	2-103688-0
1.998	1.900	19	20	1-103688-9
1.898	1.800	18	19	1-103688-8
1.798	1.700	17	18	1-103688-7
1.698	1.600	16	17	1-103688-6
1.598	1.500	15	16	1-103688-5
1.498	1.400	14	15	1-103688-4
1.398	1.300	13	14	1-103688-3
1.298	1.200	12	13	1-103688-2
1.198	1.100	11	12	1-103688-1
1.098	1.000	10	11	1-103688-0
.998	.900	9	10	103688-9
.898	.800	8	9	103688-8
.798	.700	7	8	103688-7
.698	.600	6	7	103688-6
.598	.500	5	6	103688-5
.498	.400	4	5	103688-4
.398	.300	3	4	103688-3
.298	.200	2	3	103688-2
.198	.100	1	2	103688-1
C	B	A	NO OF POSN	PART NUMBER

THIS DRAWING IS A CONTROLLED DOCUMENT.

DWN E. BRANDBERG 25FEB94	TE Connectivity
CHK J. GESFORD 25FEB94	
APVD J. GESFORD 25FEB94	NAME RECEPTACLE HOUSING, AMPMODU MTE, SINGLE ROW, .100C
PRODUCT SPEC 108-250034	SIZE A2
APPLICATION SPEC 114-25026	CAGE CODE 00779
MATERIAL FLAME RETARDANT THERMOPLASTIC, COLOR-BLACK	DRAWING NO 103688
FINISH -	RESTRICTED TO -
WEIGHT -	SCALE 4:1
CUSTOMER DRAWING	SHEET 1 of 1
	REV K1

Mouser Electronics

Authorized Distributor

Click to View Pricing, Inventory, Delivery & Lifecycle Information:

[TE Connectivity:](#)

[103688-8](#)