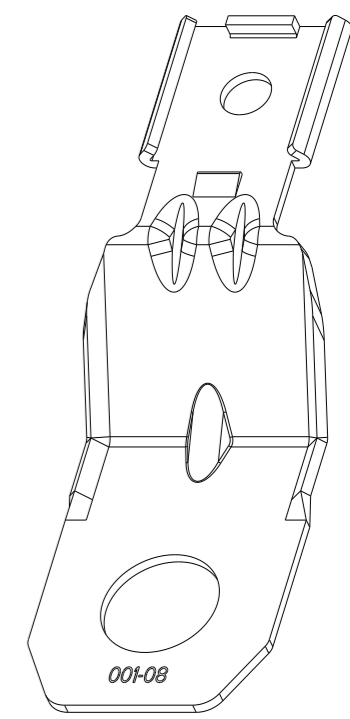
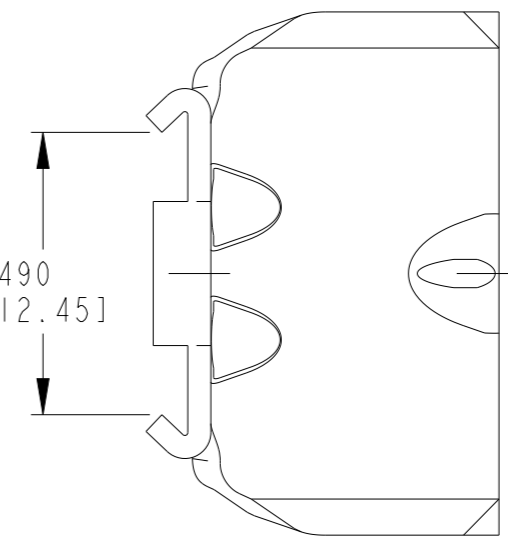
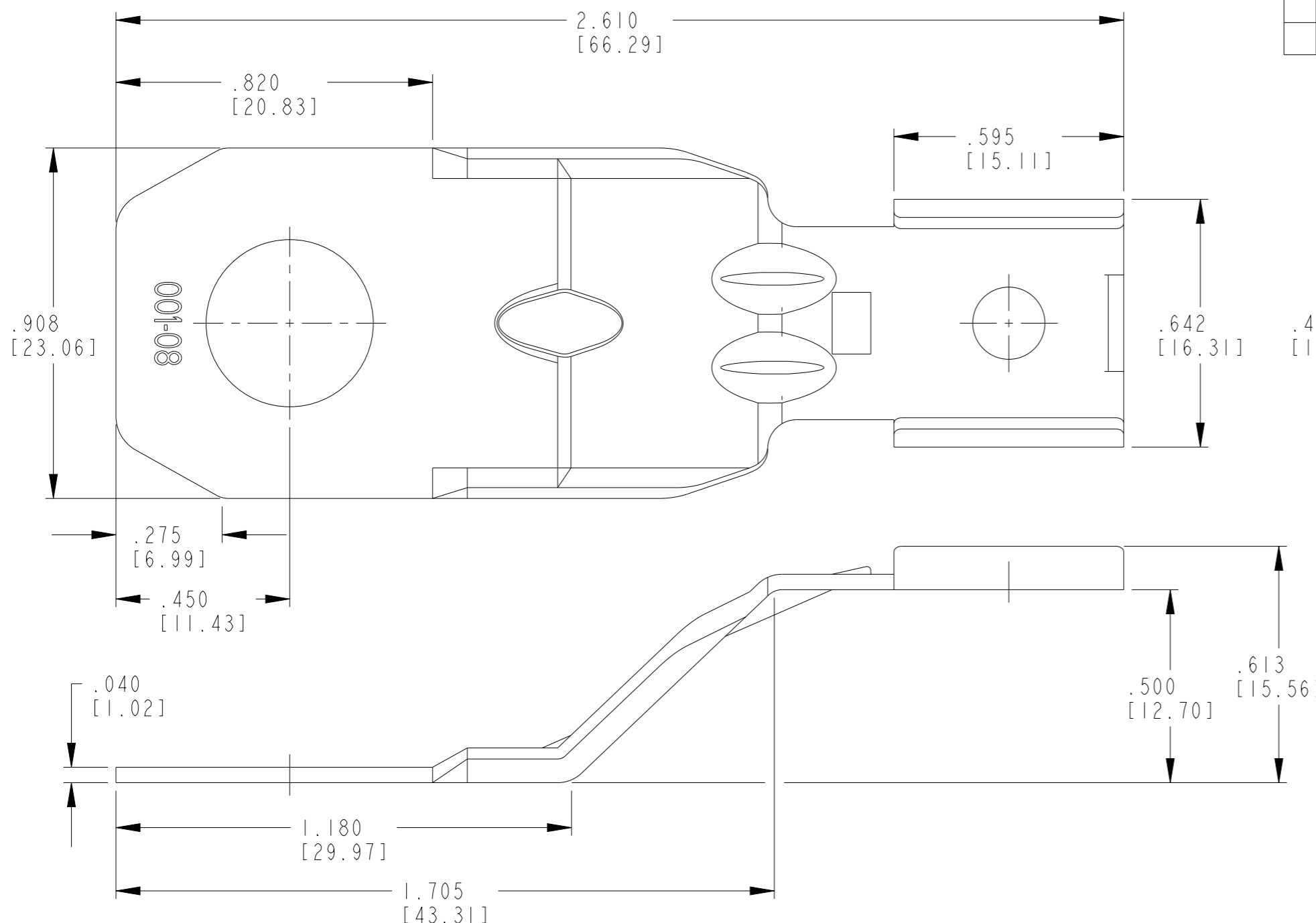


LOC	DIST	REVISIONS			
P	LTR	DESCRIPTION	DATE	DWN	APVD
	B	REVISED PER EO PI7504	10DEC2001	ST	RDR
	C	REVISED PER EO P20851	25MAR2011	ST	RDR
	C1	REVISED PER PCN E-19-016328	18OCT2019	JA	IG
	C2	REVISED PER PCN E-21-001566	11FEB2021	MK	IG



3D VIEW

TE INTERNAL PN	DEUTSCH PN
1027-001-0800	1027-001-0800
1027-002-0800	1027-002-0800
1027-006-0800	1027-006-0800
1027-014-0800	1027-014-0800

2. ALL PART NUMBERS ARE IN ACCORDANCE WITH RoHS STANDARDS.

PART INFORMATION:

PART NUMBER	MATERIAL	HOLE DIAMETER
1027-001-0800	STAINLESS STEEL	.433 [11.0]
1027-002-0800	STEEL-ZINC PLATE	.512 [13.0]
1027-006-0800	STAINLESS STEEL	.512 [13.0]
1027-014-0800	STEEL-ZINC PLATE	.323 [8.2]

NOTES:

THIS DRAWING IS A CONTROLLED DOCUMENT.		DWN S. THEIS 09NOV1999	STE TE Connectivity			
DIMENSIONS: INCHES [mm]		CHK B. BYFORD 23MAR2011				
TOLERANCES UNLESS OTHERWISE SPECIFIED:		APVD S. BEARD 15MAR2011	NAME METAL CLIP / MOUNTING BRACKET FOR 8 WAY RECEPTACLE DT SERIES			
0 PLC ±		PRODUCT SPEC				
1 PLC ±		APPLICATION SPEC 114-151009	SIZE A3	CAGE CODE 4AFU8	DRAWING NO. 1027-001/002-006-014-0800	RESTRICTED TO -
2 PLC ±		WEIGHT 10.5g				
3 PLC ±						
4 PLC ±						
ANGLES ±						
FINISH						
MATERIAL		CUSTOMER DRAWING				
		SCALE 3:1		SHEET 1 OF 1		REV C2

Mouser Electronics

Authorized Distributor

Click to View Pricing, Inventory, Delivery & Lifecycle Information:

[TE Connectivity:](#)

[1027-014-0800](#)