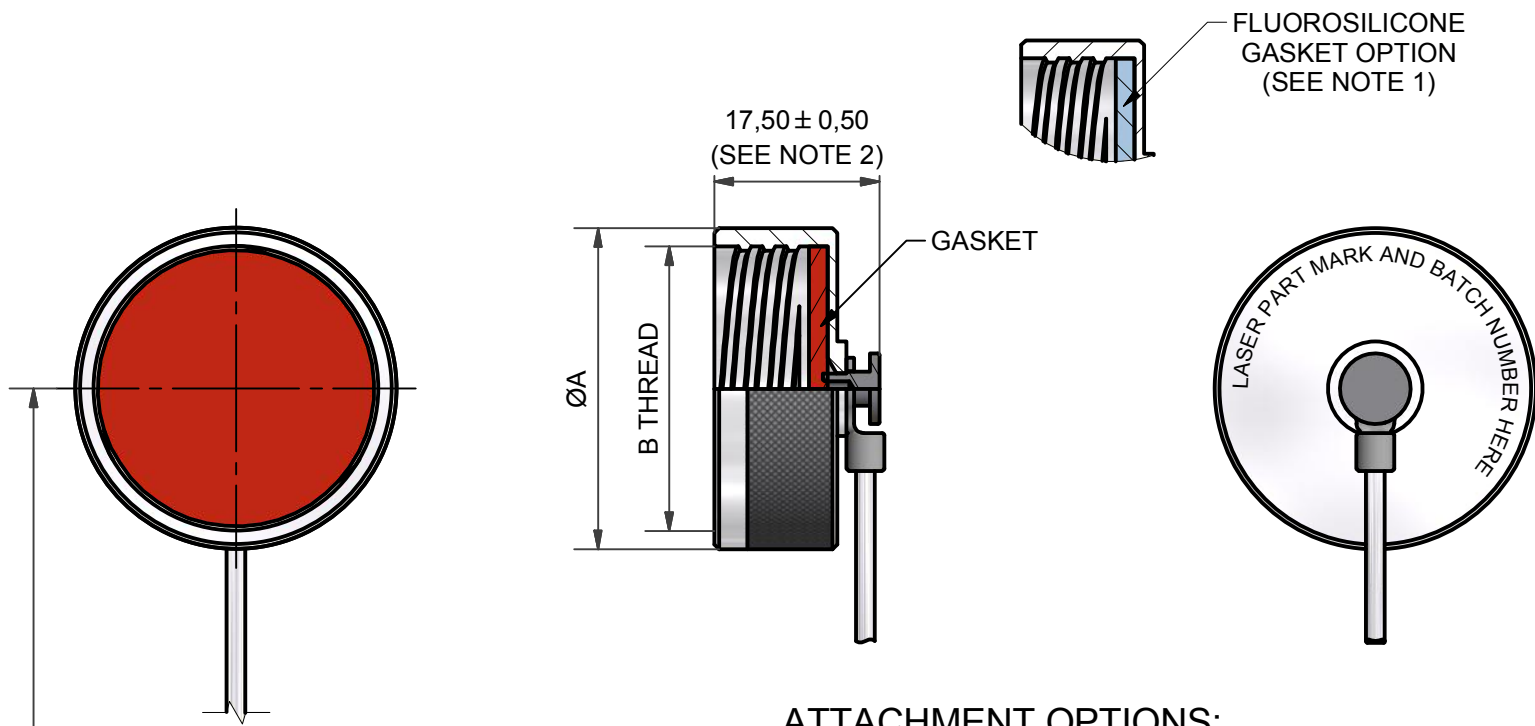
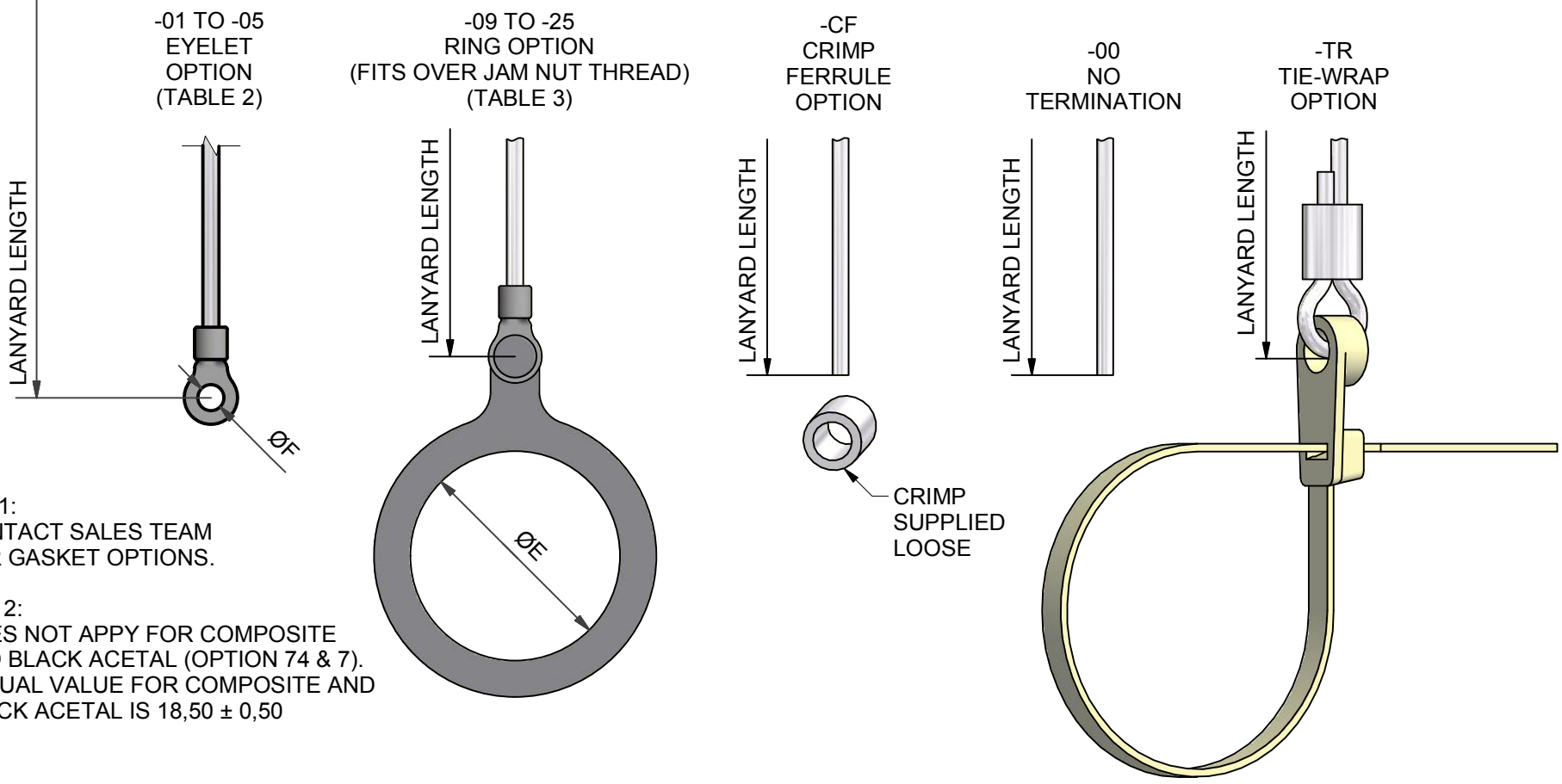


WITH ATTACHMENT



ATTACHMENT OPTIONS:



NOTE 1:
CONTACT SALES TEAM
FOR GASKET OPTIONS.

NOTE 2:
DOES NOT APPLY FOR COMPOSITE
AND BLACK ACETAL (OPTION 74 & 7).
ACTUAL VALUE FOR COMPOSITE AND
BLACK ACETAL IS 18,50 ± 0,50

OMIT FOR NO ATTACHMENT
(SEE SHEET 2)

100P160-17-1-C-WR4-17

SERIES _____
 INSERT 'F' FOR _____
 FLUROSILICONE GASKET
 OMIT FOR STANDARD
 SILICONE GASKET
 SHELL SIZE (TABLE 1) _____
 MATERIAL (TABLE 5) _____
 FINISH (TABLE 6) _____
 LANYARD TYPE (TABLE 4) _____
 LANYARD LENGTH (IN INCHES) _____
 +1,0"/-0" TOLERANCE
 ATTACHMENT (SEE ABOVE) _____

<table border="1"> <tr> <td>DRAWN</td> <td>W.RUST</td> <td>DATE</td> <td rowspan="5"> <p>3RD ANGLE PROJECTION NOT TO SCALE</p> </td> <td rowspan="5"> PART NUMBER: 100P160 SERIES </td> <td rowspan="5"> <p>Polamco</p> </td> </tr> <tr> <td>SALES APPR</td> <td></td> <td>12/02/2014</td> </tr> <tr> <td>DESIGN APPR</td> <td></td> <td>12/02/2014</td> </tr> <tr> <td>PROD APPR</td> <td></td> <td></td> </tr> <tr> <td>QUAL APPR</td> <td></td> <td></td> </tr> </table>	DRAWN	W.RUST	DATE	<p>3RD ANGLE PROJECTION NOT TO SCALE</p>	PART NUMBER: 100P160 SERIES	<p>Polamco</p>	SALES APPR		12/02/2014	DESIGN APPR		12/02/2014	PROD APPR			QUAL APPR			UNLESS OTHERWISE SPECIFIED ALL DIMENSIONS IN MILLIMETRES GENERAL TOL LINEAR +/-0,25MM ANGULAR +/- 1°		TITLE: RECEPTACLE PROTECTION CAP	<p>TE connectivity</p>	DRAWING NO: P10523
DRAWN	W.RUST	DATE	<p>3RD ANGLE PROJECTION NOT TO SCALE</p>				PART NUMBER: 100P160 SERIES	<p>Polamco</p>															
SALES APPR		12/02/2014																					
DESIGN APPR		12/02/2014																					
PROD APPR																							
QUAL APPR																							
MATERIAL SEE PART NUMBER BREAKDOWN			ASSY USED ON: MIL-DTL-38999 SERIES III	SHT 1																			
ISSUE	REV.	DCR	THIS DRAWING IS COPYRIGHT AND THE PROPERTY OF POLAMCO LTD IT MUST NOT BE COPIED, USED FOR MANUFACTURE OR OTHERWISE DISCLOSED WITHOUT PRIOR WRITTEN CONSENT OF THE COMPANY.		POLAMCO LTD, WESTON LOCK, LOWER BRISTOL ROAD BATH BA2 1EP																		
9	7	3969																					
NCAGE CODE U5792		WEIGHT																					

TABLE 1

SHELL SIZE	ØA MAX	B THREAD
09	21,0	0.625-0.1P-0.3L-TS
11	24,5	0.750-0.1P-0.3L-TS
13	28,0	0.875-0.1P-0.3L-TS
15	30,0	1.000-0.1P-0.3L-TS
17	34,0	1.1875-0.1P-0.3L-TS
19	37,0	1.250-0.1P-0.3L-TS
21	40,0	1.375-0.1P-0.3L-TS
23	43,0	1.500-0.1P-0.3L-TS
25	47,0	1.625-0.1P-0.3L-TS

TABLE 2

EYELET REF.	ØF
01	3,2
02	3,7
03	4,3
04	5,3
05	6,4

TABLE 3

RING REF.	ØE MAX
09	18,0
11	21,4
13	25,8
15	28,8
17	32,0
19	35,0
21	38,3
23	41,7
25	44,6

TABLE 4

CODE	LANYARD TYPE
WR	NYLON COVERED (CLEAR) STAINLESS STEEL WIRE ROPE
TC	TEFLON COVERED (CLEAR) STAINLESS STEEL WIRE ROPE
WG	TEFLON COVERED (OLIVE DRAB) STAINLESS STEEL WIRE ROPE
WB	TEFLON COVERED (BLACK) STAINLESS STEEL WIRE ROPE
WRB	PVC COVERED (BLACK) STAINLESS STEEL WIRE ROPE
LC	LINK CHAIN
BK	BLACK CORD
VGB	1,5mm BLACK POLYESTER CORD EQV. TO DIN83330-E1,5
B	BEAD CHAIN
R	OLIVE DRAB POLYESTER CORD
NB	OLIVE DRAB NYLON CORD
NK	BLACK NYLON CORD

TABLE 5

CODE	MATERIAL	GASKET MATERIAL
1	ALUMINIUM	SILICONE
2	NICKEL ALUMINIUM BRONZE	SILICONE
4	STAINLESS STEEL	SILICONE
7	BLACK ACETAL	SILICONE
74	COMPOSITE	SILICONE
46	STAINLESS STEEL 316	SILICONE

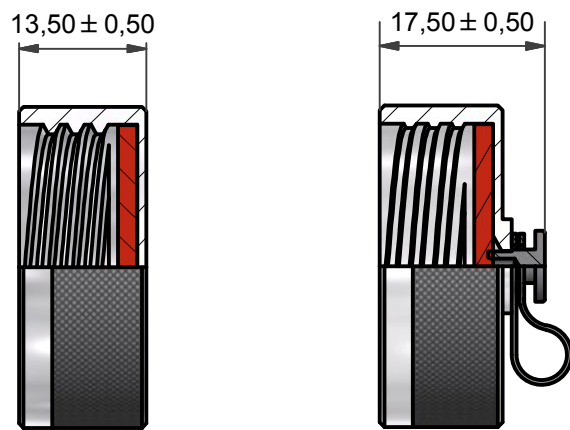
LIST NOT EXHAUSTIVE, SEE MATERIAL TABLE FOR OTHER OPTIONS

TABLE 6

PLATING CODE	PLATING DESCRIPTION	ROHS COMPLIANT	ENVIRONMENT PROTECTION/ CONDUCTIVITY
B	CADMIUM, OLIVE DRAB (5-10 MICRONS) QQ-P-416, TYPE II, CLASS 3 OVER ELECTROLESS NICKEL	YES (SUBJECT TO EXEMPTION)	CONDUCTIVE 500 HRS SALT SPRAY. EXEMPTION APPLICABLE FOR AEROSPACE / MILITARY APPLICATIONS. SEE ROHS WEBSITES FOR MORE INFORMATION.
C	ELECTROLESS NICKEL, AMS-C-26074, CLASS 4, GRADE B	YES	CONDUCTIVE
J	PASSIVATE, PER QQ-P-35 OR MI-S-5002	YES	ROHS COMPLIANT
U	UNPLATED CLEAN FINISH NOT SHOT BLASTED	YES	CONDUCTIVE
Z	SHOT BLAST FOR NON-REFLECTIVE FINISH	YES	CONDUCTIVE
ZB	ZINC COBALT (5-10 MICRONS) OVER ELECTROLESS NICKEL (2,5-7,5 MICRONS) WITH A OLIVE DRAB CHROMATE CONVERSION	YES	CONDUCTIVE 350 HRS SALT SPRAY
ZN	ZINC NICKEL BLACK PASSIVATE (5-12 MICRONS) OVER ELECTROLESS NICKEL (8-12 MICRONS), ASTM B 841 CLASS 1	YES (SUBJECT TO TESTING)	ROHS COMPLIANT (SUBJECT TO TESTING)

LIST NOT EXHAUSTIVE, SEE PLATING TABLE FOR OTHER OPTIONS

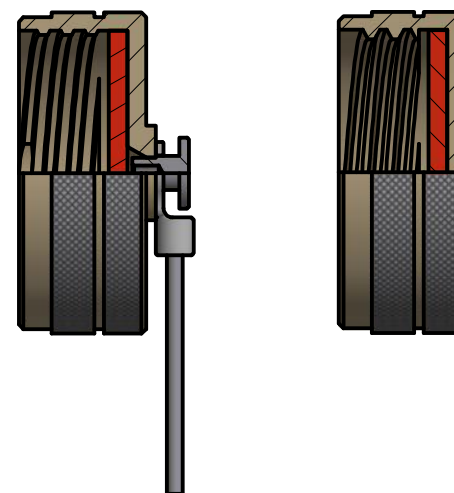
WITHOUT ATTACHMENT



100P160-17-1-C
NO ATTACHMENT VERSION

100P160-17-1-C-EO
EYELET ONLY VERSION
(NO LANYARD)

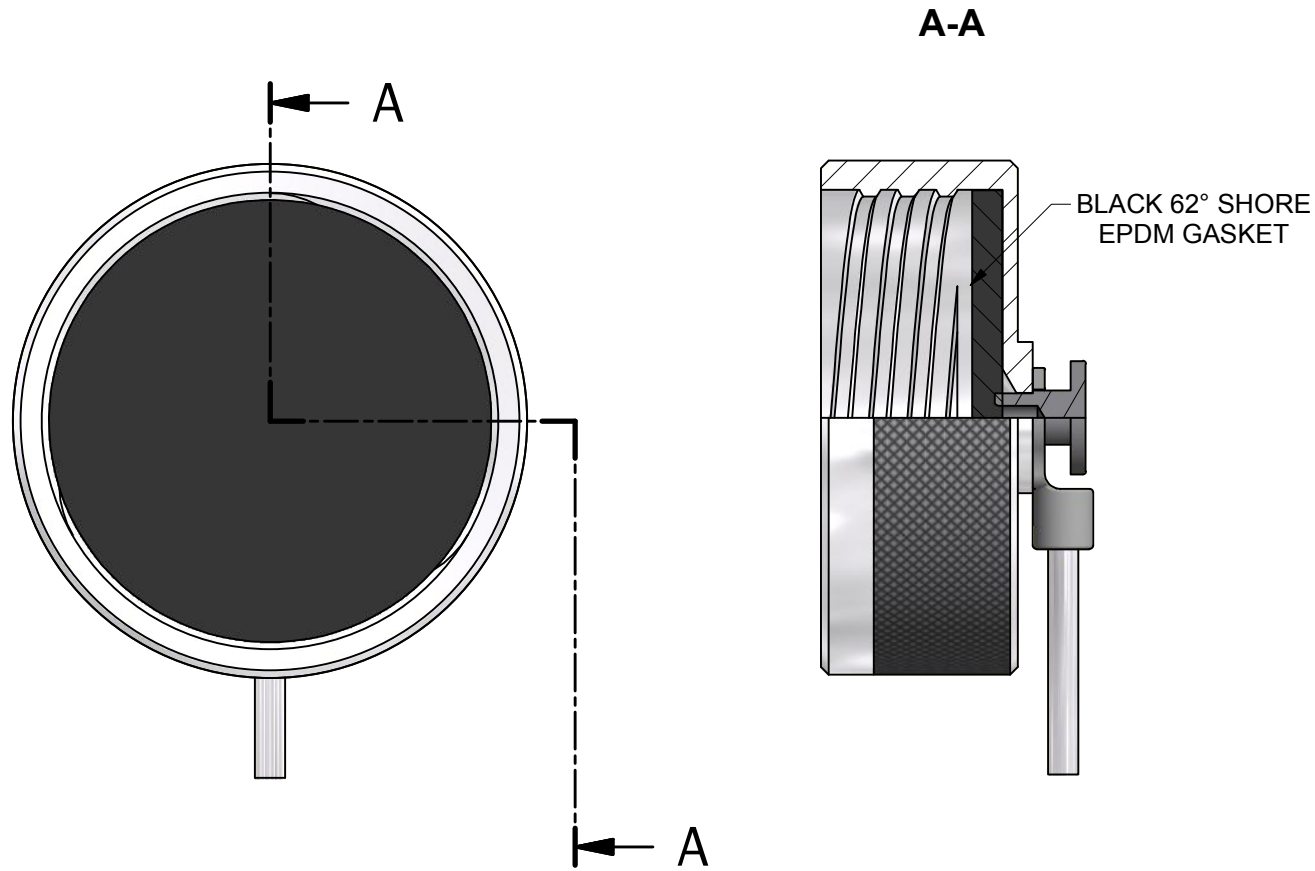
COMPOSITE VERSION



DRAWN	W.RUST	DATE	12/02/2014	3RD ANGLE PROJECTION NOT TO SCALE	PART NUMBER:		100P160 SERIES		
SALES APPR		DATE	12/02/2014		TITLE:		PROTECTION CAP ASSEMBLY		
DESIGN APPR				UNLESS OTHERWISE SPECIFIED ALL DIMENSIONS IN MILLIMETRES GENERAL TOL LINEAR +/-0,25MM ANGULAR +/- 1°	ASSY USED ON: MIL-DTL-38999 SERIES III				
PROD APPR					THIS DRAWING IS COPYRIGHT AND THE PROPERTY OF POLAMCO LTD IT MUST NOT BE COPIED, USED FOR MANUFACTURE OR OTHERWISE DISCLOSED WITHOUT PRIOR WRITTEN CONSENT OF THE COMPANY.		POLAMCO LTD, WESTON LOCK, LOWER BRISTOL ROAD BATH BA2 1EP		
QUAL APPR				MATERIAL SEE PART NUMBER BREAKDOWN FINISH SEE PART NUMBER BREAKDOWN	SHT		DRAWING NO:		
ISSUE	REV.	DCR	3969		2		P10523		
NCAGE CODE U5792		WEIGHT							



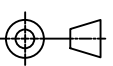


OPTIONAL GASKET:



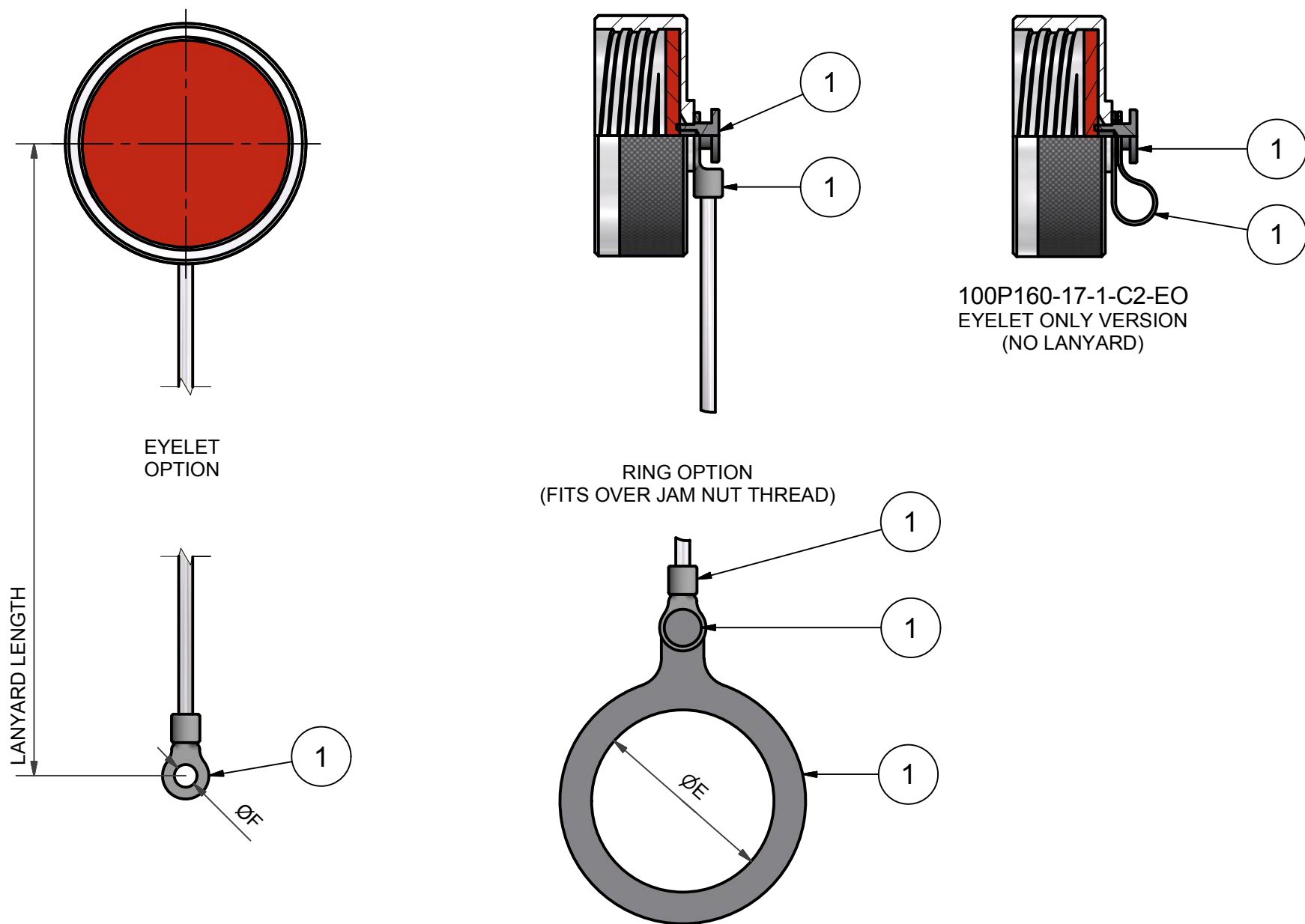
OMIT FOR NO ATTACHMENT
(SEE SHEET 2)

100P160-17-1-C-WR4-17-EPDM

SERIES
SHELL SIZE (TABLE 1)
MATERIAL (TABLE 5)
FINISH (TABLE 6)
LANYARD TYPE (TABLE 4)
LANYARD LENGTH (IN INCHES)
+1,0"/-0" TOLERANCE
ATTACHMENT (SEE ABOVE)
EPDM GASKET

DRAWN	W.RUST	DATE	 3RD ANGLE PROJECTION NOT TO SCALE	PART NUMBER:		 100P160 SERIES
SALES APPR		12/02/2014		TITLE:		
DESIGN APPR		12/02/2014	UNLESS OTHERWISE SPECIFIED ALL DIMENSIONS IN MILLIMETRES GENERAL TOL LINEAR +/-0,25MM ANGULAR +/- 1°	ASSY USED ON: MIL-DTL-38999 SERIES III		
PROD APPR				MATERIAL SEE PART NUMBER BREAKDOWN FINISH SEE PART NUMBER BREAKDOWN	THIS DRAWING IS COPYRIGHT AND THE PROPERTY OF POLAMCO LTD IT MUST NOT BE COPIED, USED FOR MANUFACTURE OR OTHERWISE DISCLOSED WITHOUT PRIOR WRITTEN CONSENT OF THE COMPANY.	
QUAL APPR			SHT 3		DRAWING NO: P10523	
ISSUE	REV.	DCR				
9	7	3969				
NCAGE CODE U5792		WEIGHT				

WITH PLATED ACCESSORIES



100P160-17-1-C2-WR4-17

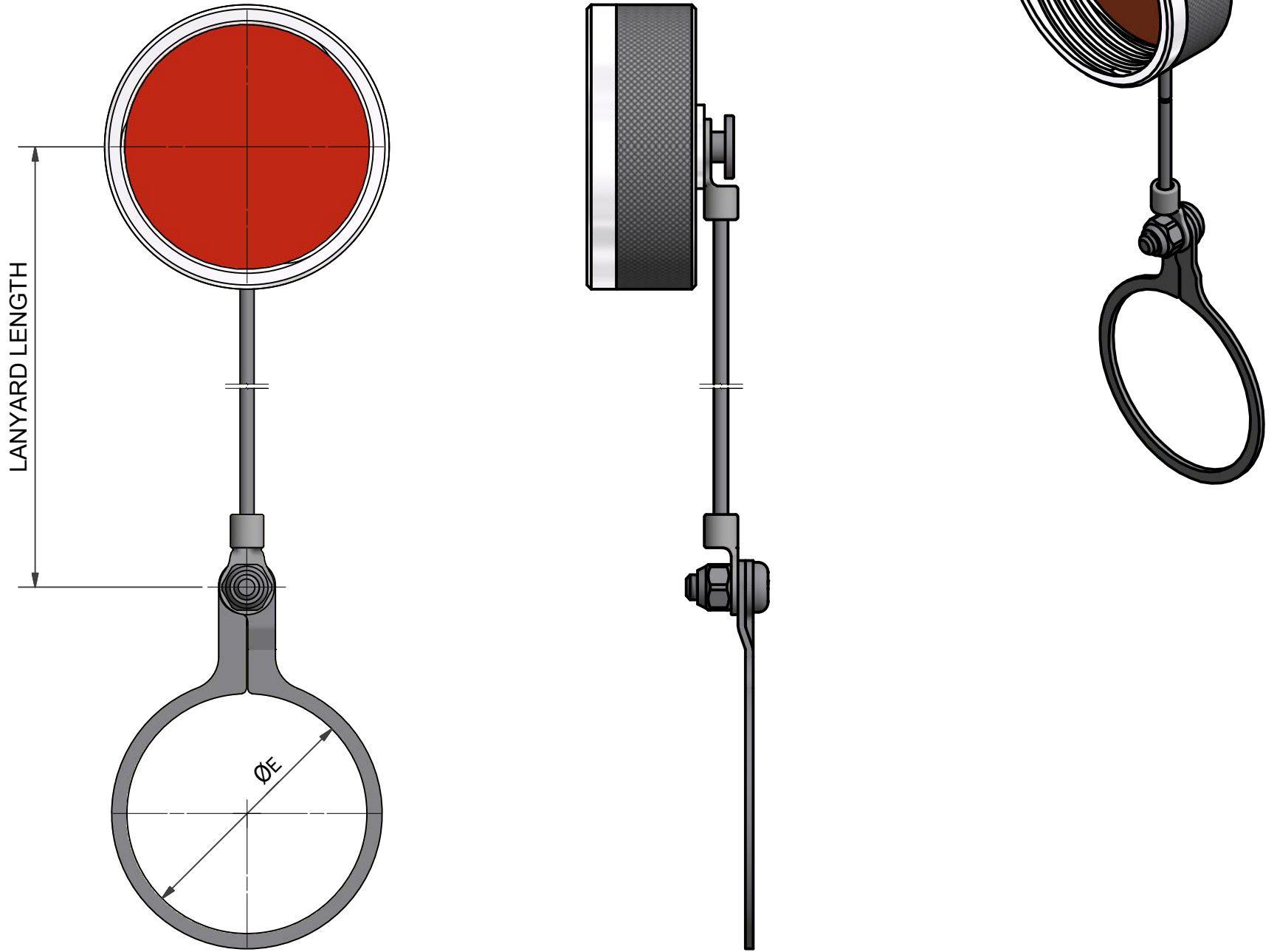
SERIES _____
 SHELL SIZE (TABLE 1) _____
 MATERIAL (TABLE 5) _____
 FINISH (TABLE 6) _____
 PLATED EYELETS, RIVETS
 AND RINGS - AVAILABLE
 FOR PLATING CODES B, C, ZB, ZN
 (SEE NOTE)
 LANYARD TYPE (TABLE 4) _____
 LANYARD LENGTH (IN INCHES)
 +1,0"/-0" TOLERANCE
 ATTACHMENT (SEE ABOVE) _____

NOTE:
 1. ALL COMPONENTS INDICATED TO BE PLATED THE SAME AS CAP WHEN CODE "2" IS INSERTED IN THE PART NUMBER

DRAWN	W.RUST	DATE	3RD ANGLE PROJECTION NOT TO SCALE	PART NUMBER:	100P160 SERIES			
SALES APPR		12/02/2014						
DESIGN APPR		12/02/2014	UNLESS OTHERWISE SPECIFIED ALL DIMENSIONS IN MILLIMETRES GENERAL TOL LINEAR +/-0,25MM ANGULAR +/- 1°	TITLE:	RECEPTACLE PROTECTION CAP			
PROD APPR								
QUAL APPR								
ISSUE	REV.	DCR						
9	7	3969	MATERIAL	ASSY USED ON: MIL-DTL-38999 SERIES III	THIS DRAWING IS COPYRIGHT AND THE PROPERTY OF POLAMCO LTD IT MUST NOT BE COPIED, USED FOR MANUFACTURE OR OTHERWISE DISCLOSED WITHOUT PRIOR WRITTEN CONSENT OF THE COMPANY.			
NCAGE CODE U5792			SEE PART NUMBER BREAKDOWN					
WEIGHT			FINISH	POLAMCO LTD, WESTON LOCK, LOWER BRISTOL ROAD BATH BA2 1EP	SHT	DRAWING NO:		
			SEE PART NUMBER BREAKDOWN	4	P10523			



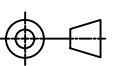
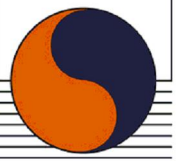

SPLIT RING OPTION:



OMIT FOR NO ATTACHMENT
(SEE SHEET 2)

100P160-17-1-C-WR4-C17

SERIES _____
 INSERT 'F' FOR _____
 FLUROSILICONE GASKET
 OMIT FOR STANDARD
 SILICONE GASKET
 SHELL SIZE (TABLE 1) _____
 MATERIAL (TABLE 5) _____
 FINISH (TABLE 6) _____
 LANYARD TYPE (TABLE 4) _____
 LANYARD LENGTH (IN INCHES) _____
 +1,0"/-0" TOLERANCE
 ATTACHMENT
 C - SPLIT RING _____
 17 - RING SIZE (SEE TABLE 3) _____

DRAWN	W.RUST	DATE	 3RD ANGLE PROJECTION NOT TO SCALE	PART NUMBER:		 Polamco 
SALES APPR		12/02/2014		100P160 SERIES		
DESIGN APPR		12/02/2014	UNLESS OTHERWISE SPECIFIED ALL DIMENSIONS IN MILLIMETRES GENERAL TOL LINEAR +/-0,25MM ANGULAR +/- 1°	TITLE:		DRAWING NO: P10523
PROD APPR				RECEPTACLE PROTECTION COVER		
QUAL APPR			MATERIAL SEE PART NUMBER BREAKDOWN FINISH SEE PART NUMBER BREAKDOWN	ASSY USED ON: MIL-DTL-38999 SERIES III		SHT 5
ISSUE	REV.	DCR		THIS DRAWING IS COPYRIGHT AND THE PROPERTY OF POLAMCO LTD IT MUST NOT BE COPIED, USED FOR MANUFACTURE OR OTHERWISE DISCLOSED WITHOUT PRIOR WRITTEN CONSENT OF THE COMPANY.		
9	7	3969	NCAGE CODE U5792 WEIGHT _____		DRAWING NO: P10523	

Mouser Electronics

Authorized Distributor

Click to View Pricing, Inventory, Delivery & Lifecycle Information:

TE Connectivity:

[100P160-19-1-C-WR5-03](#) [100P160-15-1-C-WR5-03](#) [100P160-15-4-J-WR5-15](#) [100P160-15-1-B-WR5-15](#) [100P160-19-1-C-WR5-19](#) [100P160-15-4-J-WR5-03](#) [100P160-19-4-J-WR5-03](#) [100P160-19-1-B-WR5-03](#) [100P160-15-1-B-WR5-03](#) [100P160-15-1-C-WR5-15](#) [100P160-19-1-B-WR5-19](#) [100P160-19-4-J-WR5-19](#)