



Connectors > Rectangular Connectors > Connector Contacts



Contact Type: **Socket**

Contact Mating Area Plating Material: **Gold**

Contact Termination Area Plating Material: **Gold**

Operating Voltage: **115 VDC**

Features

Product Type Features

Barrel Type	Crimp
Connector System	Cable-to-Cable
Wire/Cable Type	Strip
Sealable	Yes
Connector & Contact Terminates To	Wire & Cable

Electrical Characteristics

Operating Voltage	115 VDC
-------------------	---------

Body Features

Lattice Contact Mating Area Plating Material	Gold
Material	Copper Alloy

Contact Features

Contact Type	Socket
Contact Mating Area Plating Material	Gold
Contact Termination Area Plating Material	Gold
Contact Size	16
Contact Classification	Signal
Contact Base Material	Copper Alloy
Contact Current Rating (Max)	13 A

Termination Features

Termination Method to Wire & Cable	Crimp
------------------------------------	-------

Mechanical Attachment

Contact Retention	With
Contact Retention Type	Spring

Dimensions

Wire Size	20 – 16 AWG
-----------	-------------

Usage Conditions

Operating Temperature Range	-65 – 260 °C[-85 – 500 °F]
-----------------------------	----------------------------

Operation/Application

Circuit Application	Power & Signal & Data
---------------------	-----------------------

Product Compliance

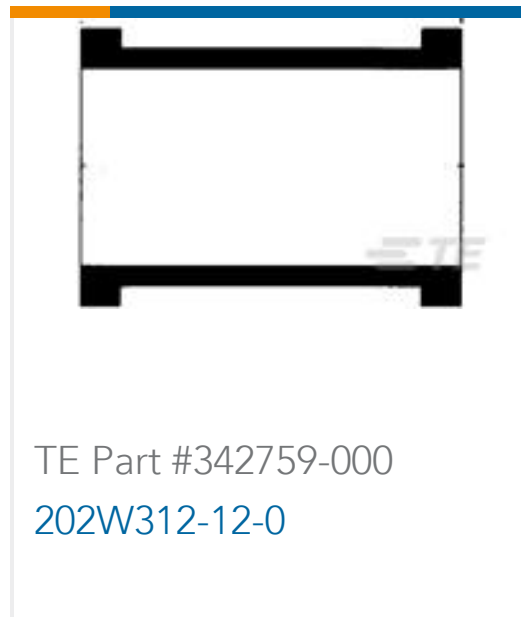
[For compliance documentation, visit the product page on TE.com>](#)

EU RoHS Directive 2011/65/EU	Out of Scope
EU ELV Directive 2000/53/EC	Out of Scope
China RoHS 2 Directive MIIT Order No 32, 2016	Restricted Materials Above Threshold
EU REACH Regulation (EC) No. 1907/2006	Current ECHA Candidate List: JAN 2019 (197) Candidate List Declared Against: JAN 2019 (197)
Halogen Content	Low Halogen - Br, Cl, F, I < 900 ppm per homogenous material. Also BFR/CFR/PVC Free
Solder Process Capability	Not reviewed for solder process capability

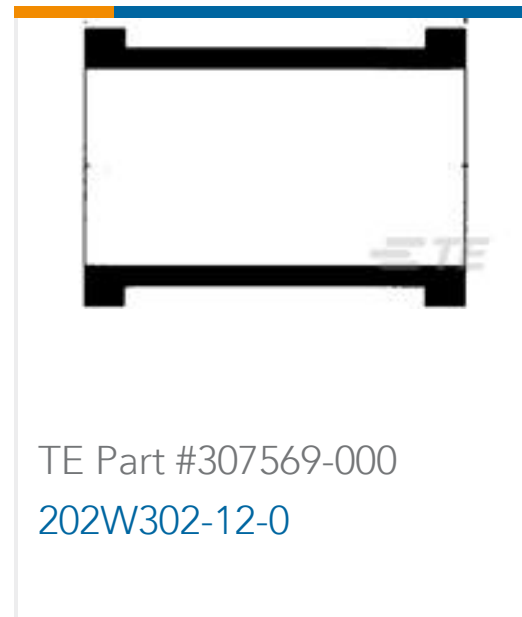
Product Compliance Disclaimer

This information is provided based on reasonable inquiry of our suppliers and represents our current actual knowledge based on the information they provided. This information is subject to change. The part numbers that TE has identified as EU RoHS compliant have a maximum concentration of 0.1% by weight in homogenous materials for lead, hexavalent chromium, mercury, PBB, PBDE, DBP, BBP, DEHP, DIBP, and 0.01% for cadmium, or qualify for an exemption to these limits as defined in the Annexes of Directive 2011/65/EU (RoHS2). Finished electrical and electronic equipment products will be CE marked as required by Directive 2011/65/EU. Components may not be CE marked. Additionally, the part numbers that TE has identified as EU ELV compliant have a maximum concentration of 0.1% by weight in homogenous materials for lead, hexavalent chromium, and mercury, and 0.01% for cadmium, or qualify for an exemption to these limits as defined in the Annexes of Directive 2000/53/EC (ELV). Regarding the REACH Regulations, TE's information on SVHC in articles for this part number is still based on the European Chemical Agency (ECHA) 'Guidance on requirements for substances in articles' (Version: 2, April 2011), applying the 0.1% weight on weight concentration threshold at the finished product level. TE is aware of the European Court of Justice ruling of September 10th, 2015 also known as O5A (Once An Article Always An Article) stating that, in case of 'complex object', the threshold for a SVHC must be applied to both the product as a whole and simultaneously to each of the articles forming part of its composition. TE has evaluated this ruling based on the new ECHA "Guidance on requirements for substances in articles" (June 2017, version 4.0) and will be updating its statements accordingly.

Customers Also Bought



TE Part #342759-000
202W312-12-0



TE Part #307569-000
202W302-12-0



TE Part #341233-000
262W014-25-0



TE Part #490543-000
322W204-25-0



TE Part #
ZPF000000000001234
097-0166-12



TE Part #
ZPF000000000001244
097-0197-20



TE Part #
ZPF000000000001257
097-0266-16 A1267



TE Part #
ZPF000000000008160
983-6K 22-19 S6 L



TE Part #
ZPF000000000008194
983-6KE 08-03 SN-L



TE Part #
ZPF100000000008187
983-6KE 08-03 S6 L

Documents

Datasheets & Catalog Pages

[DEUTSCH Contacts Quick Reference Guide](#)

English

Product Environmental Compliance

[REACH Substance Communication Document](#)

English

Mouser Electronics

Authorized Distributor

Click to View Pricing, Inventory, Delivery & Lifecycle Information:

[TE Connectivity:](#)

[097-0013-16](#)