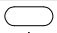

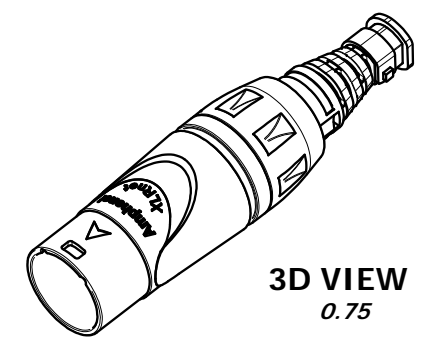
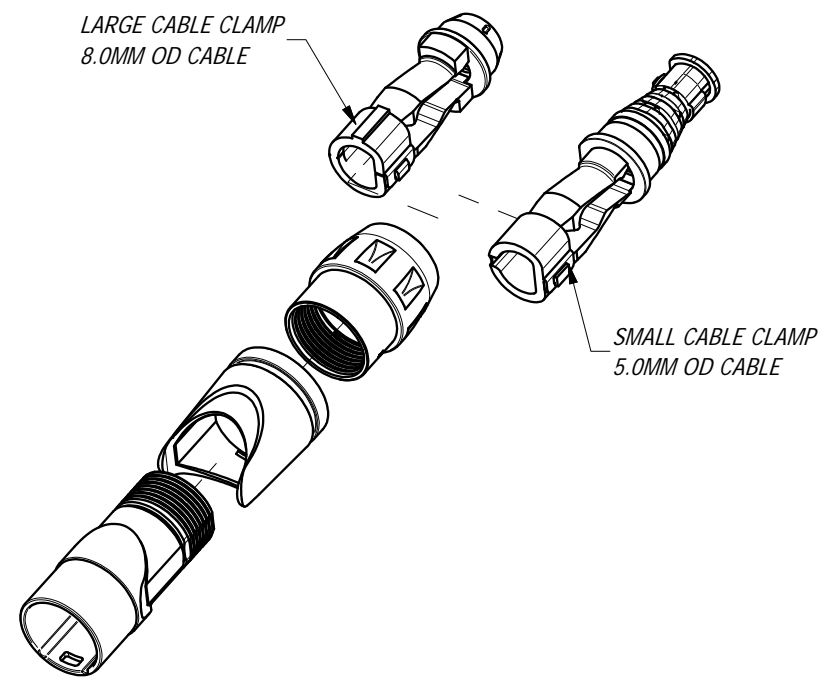
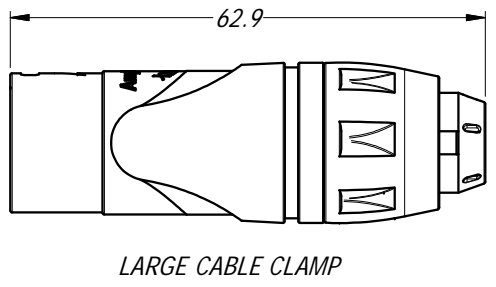
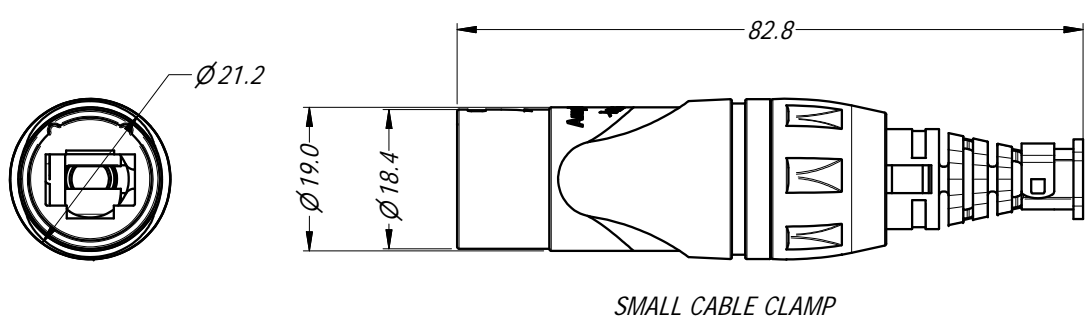
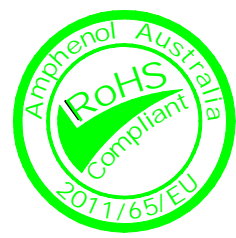
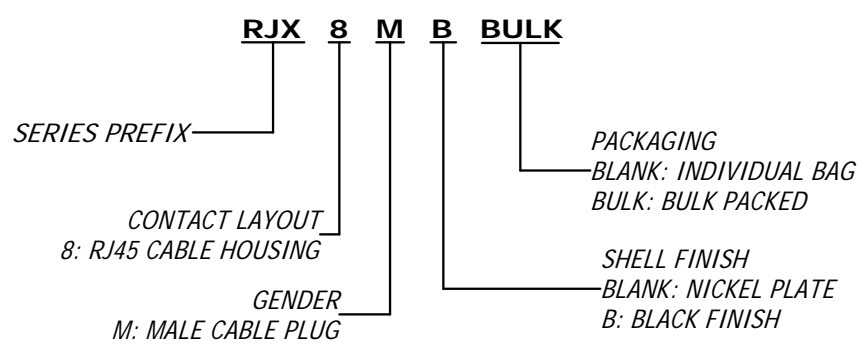


LEGEND  
 = CRITICAL INSPECTION DIMENSIONS.  
 = KEY PRODUCT CHARACTERISTICS



**PART No. BREAKDOWN**



NOTES:  
 1. BOTH CABLE CLAMPS LARGE & SMALL ARE PACKED IN THE SAME BAG OF CONNECTOR KIT

UNLESS OTHERWISE SPECIFIED TOLERANCE TO BE		THIS DOCUMENT IS THE PROPERTY OF AMPHENOL AUSTRALIA PTY. LTD. NO PART THEREOF MAY BE REPRODUCED AND USED WITHOUT THE PRIOR WRITTEN CONSENT OF THE OWNER.				<b>Amphenol</b> Amphenol Australia Pty.Ltd, 22 Industry Blvd Carrum Downs, VIC 3201	
LINEAR		ANGULAR		MATERIAL: SEE COMPONENTS	DRN: T.N	DATE: 08/08/12	TITLE: XLRnet PLUG CABLE CONNECTOR CUSTOMER DWG
X ± 0.5	X' ± 1			CKD: P.M	DATE: 09/08/12	PART No: RJX8M*	REV: 2
X.X ± 0.1	X.X' ± 30'			APP'D: P.M	DATE: 09/08/12	DRAWING No. 55010849-000-2	SHEET 2/2
X.XX ± 0.05	X.XX' ± 15'			SCALE: 1:1 SIZE: A4		CB4.17.F1	
BREAK ALL SHARP EDGES AND REMOVE ALL BURRS		FINISH: SEE COMPONENTS		THIRD ANGLE PROJECTION			
DO NOT SCALE		DIMENSIONS IN MILLIMETRES					

# Mouser Electronics

Authorized Distributor

Click to View Pricing, Inventory, Delivery & Lifecycle Information:

[Amphenol:](#)

[RJX8M](#)