

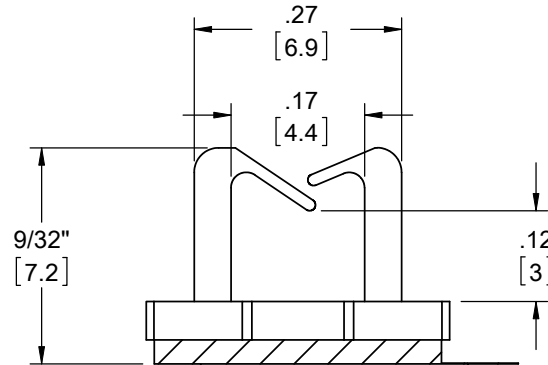
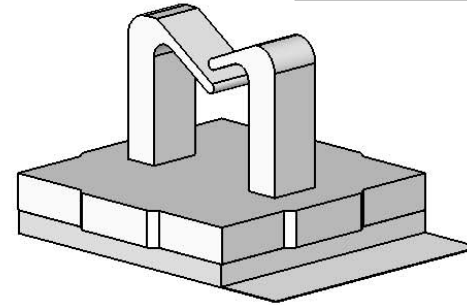
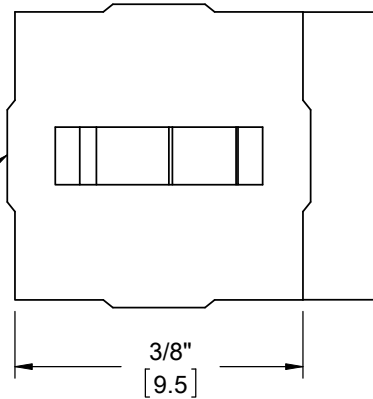
MATERIAL: NYLON 6/6 UL  
94 V-2 (RMS-01).  
COLOR: NATURAL.  
PART NO.

MWSB-1-01A-RT

MATERIAL: NYLON 6/6 UL  
94 V-0 (RMS-19).  
COLOR: NATURAL.  
PART NO.

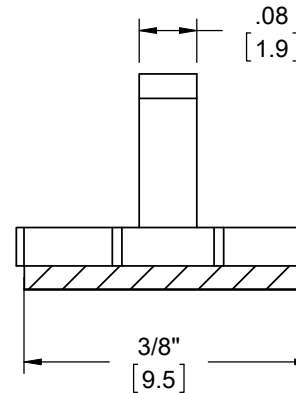
MWSB-1-19A-RT

THESE BUMPS MAY NOT  
APPEAR ON ALL PARTS (4 PLACES)



1/32" [0.8] THICK,  
DOUBLE ADHESIVE TAPE

TYPICAL RELEASE  
TAB LOCATION



NOTES:  
1. TAPE: ACRYLIC ADHESIVE TAPE (RMS-15).

TITLE: <b>MICRO WIRE SADDLE ON BASE</b>				DWG IN IN [MM]	
CREATED USING SOLIDWORKS	FILE #: MWSB1	DWN: SK	APP: RT	FINAL	
TOLERANCES UNLESS NOTED .XX=±.010 .XXX=±.005 FRAC.=±1/64 ANG.=±1°	SHEET: 1 OF 1	SHEET SIZE: A	DT: 01/14/09	CHKD: DZ	PART #
RE: <b>RICHCO, INC.</b>	<b>RICHCO, INC.</b> ENG@RICHCO-INC.COM (773) 539-4060		<b>SEE TABLE</b>		PRINT TYPE <b>CA</b>

F	SEE CO 200308 FOR CHANGES	SK	01/16/09
-	SEE ENGINEERING FOR REV A-E	-	----
REV.	DESCRIPTION	ENGR.	DATE

# Mouser Electronics

Authorized Distributor

Click to View Pricing, Inventory, Delivery & Lifecycle Information:

Essentra:

[MWSB-1-01A-RT](#) [MWSB-1-19A-RT](#)