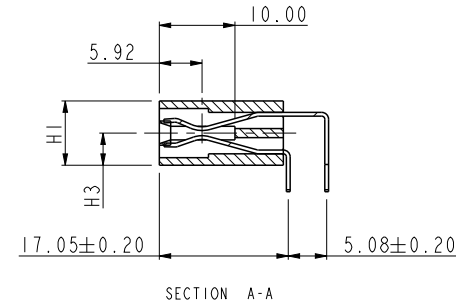
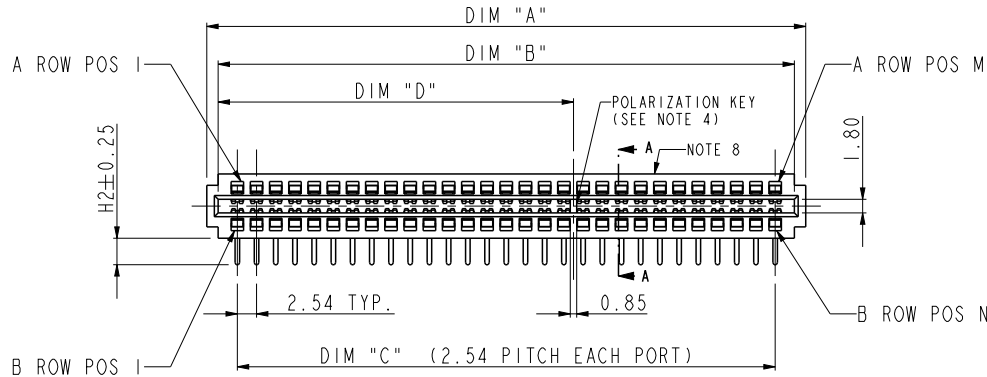
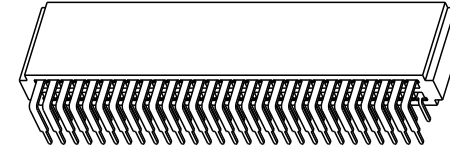
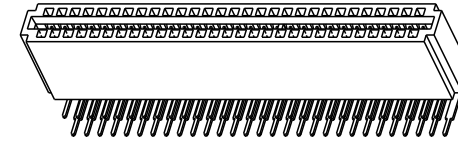
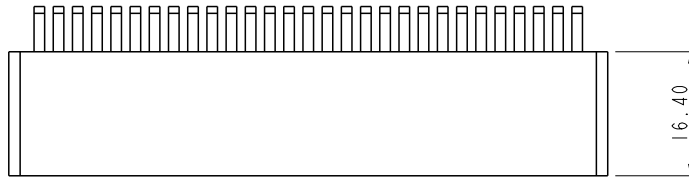


PRODUCT NO.
10035388-XXX_ _
NOTE: 5



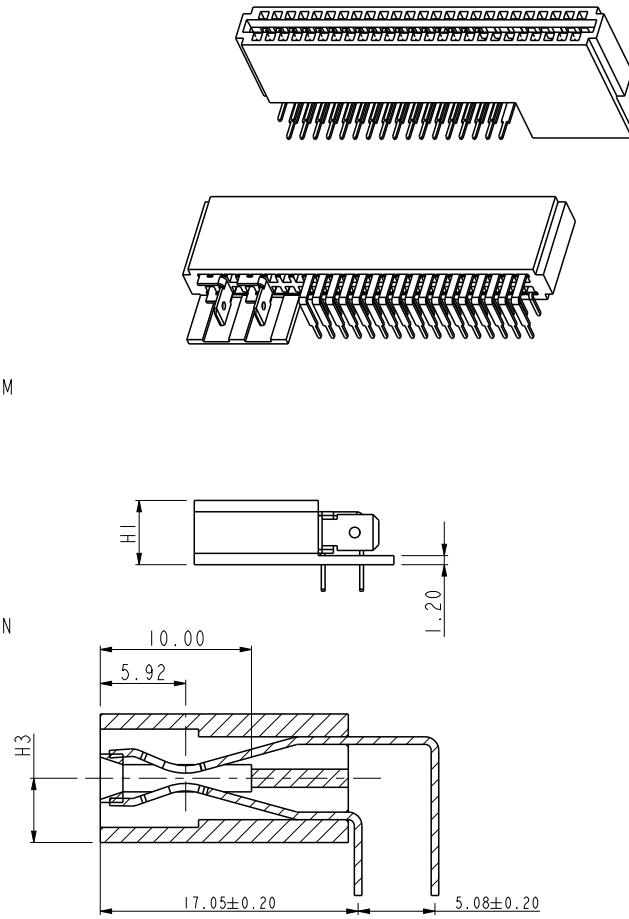
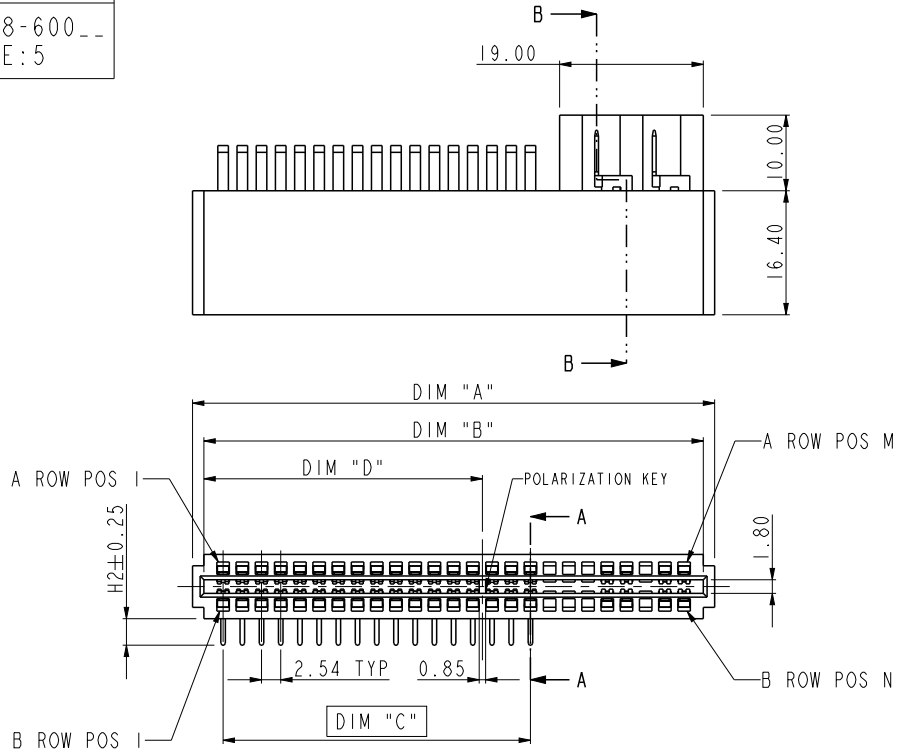
NOTE:

- MATERIAL:
HOUSING: HIGH TEMPERATURE THERMOPLASTIC, UL 94 V-0 RATED, BLACK.
TERMINAL: HIGH CONDUCTIVITY COPPER ALLOY.
- PRODUCT SPECIFICATION: GS-12-259.
- PACKAGE SPECIFICATION: GS-14-937
- THERE IS NO POLARIZATION KEY IN 10035388-102/103/104/105/106/107/108/110/114/119/120/121/122/123/202/203/204/205/206/500/700/800/802/902/903/904/905/909/910/911/912/913.
- PLATING SPEC:
10035388-XXX:
POWER PIN: CONTACT AREA - 30u" GOLD OVER 50u" NICKEL UNDER PLATED.
SOLDER TAIL - 100u" TIN/LEAD OVER 50u" NICKEL UNDER PLATED.
AC TERMINAL: 50u" NICKEL UNDER PLATED; 30u" GOLD ON CONTACT AREA.
10035388-XXXLF:
POWER PIN: CONTACT AREA - 30u" GOLD OVER 50u" NICKEL UNDER PLATED.
SOLDER TAIL - 100u" PURE MATTE TIN OVER 50u" NICKEL UNDER PLATED.
AC TERMINAL: 50u" NICKEL UNDER PLATED; 30u" GOLD ON CONTACT AREA.

- P/N 10035388-XXXLF MEETS EUROPEAN UNION DIRECTIVE AND OTHER COUNTRY REGULATIONS AS DESCRIBED IN GS-22-008.
- THE HOUSING WILL WITHSTAND EXPOSURE TO 260°C PEAK TEMPERATURE FOR 10 SECONDS IN A WAVE SOLDER APPLICATION WITH A CIRCUIT BOARD.
- PRODUCT MARKING ON HOUSING IN AREA SHOWN MEETS AFCI SPECIFICATION: GS-24-007.
- A SYMBOL WILL BE NEXT TO ANY DIMENSION, VIEW, OR NOTE WHICH HAS BEEN MODIFIED WITH THE CURRENT DRAWING REVISION.

spec ref	*	dr	De-Ming Lu	2014/08/06	projection	MM	size	A4	scale	1:1						
tolerance std	TOLERANCES UNLESS OTHERWISE SPECIFIED	eng	Leborn Luo	2018/02/05			ecn no		ELX-DG-29258-1							
ISO 406		chr	Feng Zheng	2018/02/06			rel level		Released							
ISO 1101		appr	Pei-Ming Zheng	2018/02/06	product family		-									
surface	linear	Amphenol FCI			POWER EDGE CARD CONNECTOR WITHOUT SIGNAL ASSY			dwg no		10035388						
	0.X											±0.5	rev		AN	
	0.XX											±0.25				
	0.XXX	±0.10														
ISO 1302	angular	0°	±2°	cat. no.		-		Product - Customer Drw		sheet 1 of 6						

PRODUCT NO.
10035388-600__
NOTE: 5



NOTE:
(APPLY TO 10035388-600__ AS ADDITIONAL)

- 10. THE EMPTY POSITIONS ARE 18, 19, 20, 23.
- 11. THERE ARE 2 AC TERMINALS.

SECTION A-A
SCALE 2:1

SECTION B-B
SCALE 2:1

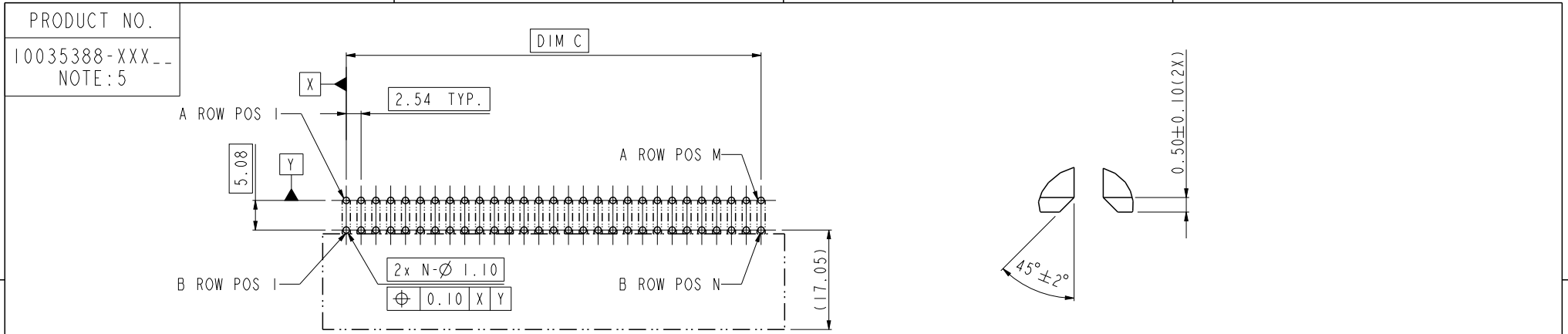
spec ref		*		dr	De-Ming Lu	2014/08/06	projection 	MM ←→	size	A4	scale	1:1
tolerance std		TOLERANCES UNLESS OTHERWISE SPECIFIED		eng	Leborn Luo	2018/02/05			ecn no	ELX-DG-29258-1		
ISO 406 ISO 1101				chr	Feng Zheng	2018/02/06				rel level		Released
surface		linear	0.X	±0.5	appr	Pei-Ming Zheng	2018/02/06	product family		-		
ISO 1302			0.XX	±0.25		title		POWER EDGE CARD CONNECTOR		dwg no	10035388	
		angular	0°	±2°	cat. no.		Product - Customer Drw		sheet 2 of 6			
					Amphenol FCI		WITHOUT SIGNAL ASSY		rev		AN	

A

B

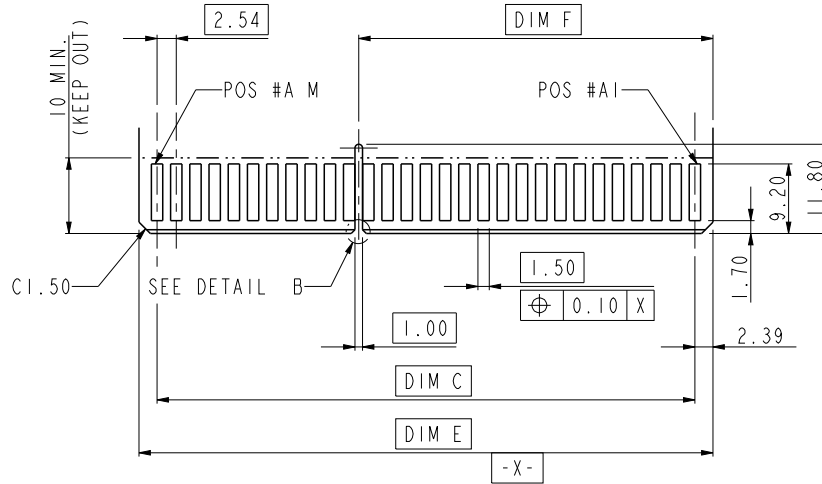
C

D

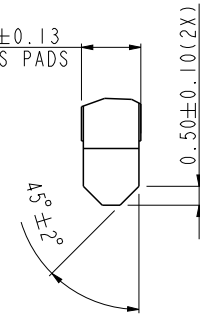
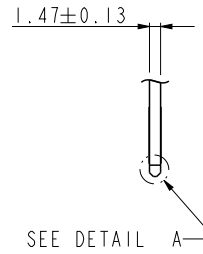


RECOMMENDED PCB LAYOUT

DETAIL B
SCALE 5:1



RECOMMENDED DAUGHTER CARD LAYOUT (TOP SIDE)



DETAIL A
SCALE 5:1

spec ref	*	dr	De-Ming Lu	2014/08/06	projection	MM	size	A4	scale	1:1	
tolerance std	TOLERANCES UNLESS OTHERWISE SPECIFIED	eng	Leborn Luo	2018/02/05			ecn no	ELX-DG-29258-1			
ISO 406		chr	Feng Zheng	2018/02/06				rel level	Released		
ISO 1101		appr	Pei-Ming Zheng	2018/02/06	product family	-	rev	AN			
surface	linear	Amphenol FCI			title POWER EDGE CARD CONNECTOR WITHOUT SIGNAL ASSY			dwg no 10035388		sheet 3 of 6	
	0.X										±0.5
	0.XX										±0.25
	0.XXX	±0.10	cat. no.			-	Product - Customer Drw		rev		
ISO 1302	angular	0°	±2°	-			STATUS:Released		Printed: Feb 06, 2018		

1

2

3

Amphenol
FCI

© 2016 AFCI

A

B

C

D

PRAT NO.	DIM"A"	DIM"B"	DIM"C"	DIM"D"	DIM"E"	DIM"F"	H1	H2	H3	PIN CONFIGURATION	M	N
10035388-000 10035388-000LF	79.20	76.20	71.12	46.99	75.90	46.84	8.50	3.50	4.25	ALL LOADED	29	29
10035388-001 10035388-001LF	79.20	76.20	71.12	46.99	75.90	46.84	8.50	3.50	4.25	A1 A29 B1 B29	29	29
10035388-100 10035388-100LF	69.04	66.04	60.96	36.83	65.74	36.68	8.50	3.50	4.25	ALL LOADED	25	25
10035388-101 10035388-101LF	69.04	66.04	60.96	36.83	65.74	36.68	8.50	3.50	4.25	A1 A25 B1 B25	25	25
10035388-102 10035388-102LF	69.04	66.04	60.96	N/A	65.74	N/A	8.50	3.50	4.25	ALL LOADED	25	25
10035388-103 10035388-103LF	69.04	66.04	60.96	N/A	65.74	N/A	8.50	3.50	4.25	A1 A25 B1 B25	25	25
10035388-104 10035388-104LF	69.04	66.04	60.96	N/A	65.74	N/A	8.50	3.50	4.25	A1 A25 B1 B25	25	25
10035388-105 10035388-105LF	69.04	66.04	60.96	N/A	65.74	N/A	8.50	3.50	4.25	A1 A25 B1 B25	25	25
10035388-106 10035388-106LF	69.04	66.04	60.96	N/A	65.74	N/A	9.287	2.713	5.037	ALL LOADED	25	25
10035388-200 10035388-200LF	84.28	81.28	76.20	52.07	80.98	51.92	8.50	3.50	4.25	ALL LOADED	31	31
10035388-201 10035388-201LF	84.28	81.28	76.20	52.07	80.98	51.92	8.50	3.50	4.25	A1 A31 B1 B31	31	31
10035388-202 10035388-202LF	84.28	81.28	76.20	N/A	80.98	N/A	8.50	3.50	4.25	ALL LOADED	31	31
10035388-203 10035388-203LF	84.28	81.28	76.20	N/A	80.98	N/A	8.50	3.50	4.25	A1 A31 B1 B31	31	31
10035388-205 10035388-205LF	94.44	91.44	86.36	N/A	91.14	N/A	8.50	3.50	4.25	A1 A35 B1 B35	35	35
10035388-300 10035388-300LF	86.82	83.82	78.74	54.61	83.52	54.46	8.50	3.50	4.25	ALL LOADED	32	32
10035388-301 10035388-301LF	86.82	83.82	78.74	54.61	83.52	54.46	8.50	3.50	4.25	A1 A32 B1 B32	32	32

spec ref	*	dr	De-Ming Lu	2014/08/06	projection	MM	size	A4	scale	1:1	
tolerance std	ISO 406 ISO 1101	eng	Leborn Luo	2018/02/05			ecn no ELX-DG-29258-1				
TOLERANCES UNLESS OTHERWISE SPECIFIED		chr	Feng Zheng	2018/02/06			rel level Released				
surface	linear	appr	Pei-Ming Zheng	2018/02/06			product family -				
ISO 1302	angular	Amphenol FCI		POWER EDGE CARD CONNECTOR			dwg no		10035388		
					WITHOUT SIGNAL ASSY					rev	AN
					cat. no.	-	Product - Customer Draw			sheet 4 of 6	

Creo Title REV E - 2016-02-12

PDS: Rev :AN

STATUS:Released

Printed: Feb 06, 2018

A

B

C

D

PRAT NO.	DIM"A"	DIM"B"	DIM"C"	DIM"D"	DIM"E"	DIM"F"	H1	H2	H3	PIN CONFIGURATION	M	N																																																							
10035388-400 10035388-400LF	61.42	58.42	53.34	29.21	58.12	29.06	8.50	3.50	4.25	ALL LOADED	22	22																																																							
10035388-500 10035388-500LF	76.66	73.66	68.58	N/A	73.36	N/A	8.50	3.50	4.25	ALL LOADED	28	28																																																							
10035388-600 10035388-600LF	69.04	66.04	40.64	36.83	65.74	36.68	8.50	3.50	4.25	AI <table border="1"><tr><td>P</td><td>P</td><td>P</td><td>P</td><td>P</td><td>P</td><td>P</td><td>P</td><td>P</td><td>P</td><td>P</td><td>P</td><td>P</td><td>P</td><td>P</td><td>P</td><td>P</td><td>P</td><td>P</td><td>P</td></tr><tr><td colspan="10"></td><td>A25</td><td colspan="6"></td></tr><tr><td colspan="10"></td><td>B1</td><td colspan="6"></td><td>B25</td></tr></table>	P	P	P	P	P	P	P	P	P	P	P	P	P	P	P	P	P	P	P	P											A25																	B1							B25	25	25
P	P	P	P	P	P	P	P	P	P	P	P	P	P	P	P	P	P	P	P																																																
										A25																																																									
										B1							B25																																																		
10035388-700 10035388-700LF	86.82	83.82	78.74	N/A	83.52	N/A	8.50	3.50	4.25	ALL LOADED	32	32																																																							
10035388-800 10035388-800LF	48.72	45.72	40.64	N/A	45.42	N/A	8.50	3.50	4.25	ALL LOADED	17	17																																																							
10035388-802 10035388-802LF	48.72	45.72	40.64	N/A	45.42	N/A	8.50	3.50	4.25	AI <table border="1"><tr><td>P</td><td>P</td><td>P</td><td>P</td><td>P</td><td>P</td><td>P</td><td>P</td><td>P</td><td>P</td><td>P</td><td>P</td><td>P</td><td>P</td><td>P</td><td>P</td><td>P</td><td>P</td><td>P</td><td>P</td></tr><tr><td colspan="10"></td><td>A17</td><td colspan="6"></td></tr><tr><td colspan="10"></td><td>B1</td><td colspan="6"></td><td>B17</td></tr></table>	P	P	P	P	P	P	P	P	P	P	P	P	P	P	P	P	P	P	P	P											A17																	B1							B17	17	17
P	P	P	P	P	P	P	P	P	P	P	P	P	P	P	P	P	P	P	P																																																
										A17																																																									
										B1							B17																																																		
10035388-900 10035388-900LF	41.10	38.10	33.02	26.67	37.80	26.52	8.50	3.50	4.25	ALL LOADED	14	14																																																							
10035388-903 10035388-903LF	94.44	91.44	86.36	N/A	91.14	N/A	8.50	3.50	4.25	AI <table border="1"><tr><td>P</td><td>P</td><td>P</td><td>P</td><td>P</td><td>P</td><td>P</td><td>P</td><td>P</td><td>P</td><td>P</td><td>P</td><td>P</td><td>P</td><td>P</td><td>P</td><td>P</td><td>P</td><td>P</td><td>P</td></tr><tr><td colspan="10"></td><td>A35</td><td colspan="6"></td></tr><tr><td colspan="10"></td><td>B1</td><td colspan="6"></td><td>B35</td></tr></table>	P	P	P	P	P	P	P	P	P	P	P	P	P	P	P	P	P	P	P	P											A35																	B1							B35	35	35
P	P	P	P	P	P	P	P	P	P	P	P	P	P	P	P	P	P	P	P																																																
										A35																																																									
										B1							B35																																																		
10035388-904 10035388-904LF	94.44	91.44	86.36	N/A	91.14	N/A	8.50	3.50	4.25	AI <table border="1"><tr><td>P</td><td>P</td><td>P</td><td>P</td><td>P</td><td>P</td><td>P</td><td>P</td><td>P</td><td>P</td><td>P</td><td>P</td><td>P</td><td>P</td><td>P</td><td>P</td><td>P</td><td>P</td><td>P</td><td>P</td></tr><tr><td colspan="10"></td><td>A35</td><td colspan="6"></td></tr><tr><td colspan="10"></td><td>B1</td><td colspan="6"></td><td>B35</td></tr></table>	P	P	P	P	P	P	P	P	P	P	P	P	P	P	P	P	P	P	P	P											A35																	B1							B35	35	35
P	P	P	P	P	P	P	P	P	P	P	P	P	P	P	P	P	P	P	P																																																
										A35																																																									
										B1							B35																																																		
10035388-905 10035388-905LF	94.44	91.44	86.36	N/A	91.14	N/A	8.50	3.50	4.25	ALL LOADED	35	35																																																							
10035388-907 10035388-907LF	53.80	50.80	45.72	26.27	50.50	26.52	8.50	3.50	4.25	ALL LOADED	19	19																																																							
10035388-908 10035388-908LF	61.42	58.42	53.34	29.21	58.12	29.36	8.50	3.50	4.25	AI <table border="1"><tr><td>P</td><td>P</td><td>P</td><td>P</td><td>P</td><td>P</td><td>P</td><td>P</td><td>P</td><td>P</td><td>P</td><td>P</td><td>P</td><td>P</td><td>P</td><td>P</td><td>P</td><td>P</td><td>P</td><td>P</td></tr><tr><td colspan="10"></td><td>A22</td><td colspan="6"></td></tr><tr><td colspan="10"></td><td>B1</td><td colspan="6"></td><td>B22</td></tr></table>	P	P	P	P	P	P	P	P	P	P	P	P	P	P	P	P	P	P	P	P											A22																	B1							B22	22	22
P	P	P	P	P	P	P	P	P	P	P	P	P	P	P	P	P	P	P	P																																																
										A22																																																									
										B1							B22																																																		
10035388-909 10035388-909LF	48.72	45.72	40.64	N/A	45.42	N/A	8.50	3.50	4.25	AI <table border="1"><tr><td>P</td><td>P</td><td>P</td><td>P</td><td>P</td><td>P</td><td>P</td><td>P</td><td>P</td><td>P</td><td>P</td><td>P</td><td>P</td><td>P</td><td>P</td><td>P</td><td>P</td><td>P</td><td>P</td><td>P</td></tr><tr><td colspan="10"></td><td>A17</td><td colspan="6"></td></tr><tr><td colspan="10"></td><td>B1</td><td colspan="6"></td><td>B17</td></tr></table>	P	P	P	P	P	P	P	P	P	P	P	P	P	P	P	P	P	P	P	P											A17																	B1							B17	17	17
P	P	P	P	P	P	P	P	P	P	P	P	P	P	P	P	P	P	P	P																																																
										A17																																																									
										B1							B17																																																		
10035388-910 10035388-910LF	94.44	91.44	86.36	N/A	91.14	N/A	8.50	3.50	4.25	AI <table border="1"><tr><td>P</td><td>P</td><td>P</td><td>P</td><td>P</td><td>P</td><td>P</td><td>P</td><td>P</td><td>P</td><td>P</td><td>P</td><td>P</td><td>P</td><td>P</td><td>P</td><td>P</td><td>P</td><td>P</td><td>P</td></tr><tr><td colspan="10"></td><td>A35</td><td colspan="6"></td></tr><tr><td colspan="10"></td><td>B1</td><td colspan="6"></td><td>B35</td></tr></table>	P	P	P	P	P	P	P	P	P	P	P	P	P	P	P	P	P	P	P	P											A35																	B1							B35	35	35
P	P	P	P	P	P	P	P	P	P	P	P	P	P	P	P	P	P	P	P																																																
										A35																																																									
										B1							B35																																																		
10035388-911 10035388-911LF	53.80	50.80	45.72	N/A	50.50	N/A	8.50	3.50	4.25	ALL LOADED	19	19																																																							
10035388-912 10035388-912LF	41.10	38.10	33.02	N/A	37.80	N/A	8.50	3.50	4.25	AI <table border="1"><tr><td>P</td><td>P</td><td>P</td><td>P</td><td>P</td><td>P</td><td>P</td><td>P</td><td>P</td><td>P</td><td>P</td><td>P</td><td>P</td><td>P</td><td>P</td><td>P</td><td>P</td><td>P</td><td>P</td><td>P</td></tr><tr><td colspan="10"></td><td>A14</td><td colspan="6"></td></tr><tr><td colspan="10"></td><td>B1</td><td colspan="6"></td><td>B14</td></tr></table>	P	P	P	P	P	P	P	P	P	P	P	P	P	P	P	P	P	P	P	P											A14																	B1							B14	14	14
P	P	P	P	P	P	P	P	P	P	P	P	P	P	P	P	P	P	P	P																																																
										A14																																																									
										B1							B14																																																		

spec ref	*	dr	De-Ming Lu	2014/08/06	projection		size	A4	scale	1:1	
tolerance std	ISO 406 ISO 1101	eng	Leborn Luo	2018/02/05	product family	-	ecn no		ELX-DG-29258-1		
TOLERANCES UNLESS OTHERWISE SPECIFIED		chr	Feng Zheng	2018/02/06			rel level		Released		
surface	linear	appr	Pei-Ming Zheng	2018/02/06	10035388		rev		AN		
	angular	Amphenol FCI		POWER EDGE CARD CONNECTOR		10035388		WITHOUT SIGNAL ASSY		AN	
ISO 1302	0.X ±0.5 0.XX ±0.25 0.XXX ±0.10	cat. no.		Product - Customer Drw		sheet 5 of 6					

Amphenol
FCi

© 2016 AFCI

A

B

C

D

PRAT NO.	DIM"A"	DIM"B"	DIM"C"	DIM"D"	DIM"E"	DIM"F"	H1	H2	H3	PIN CONFIGURATION	M	N
10035388-107 10035388-107LF	69.04	66.04	60.96	N/A	65.74	N/A	8.50	3.50	4.25	A1 A25 B1 B25	25	25
10035388-913 10035388-913LF	25.86	22.86	17.78	N/A	22.56	N/A	8.50	3.50	4.25	ALL LOADED	8	8
10035388-902 10035388-902LF	94.44	91.44	86.36	N/A	91.14	N/A	8.50	3.50	4.25	A1 A35 B1 B35	35	35
10035388-108 10035388-108LF	69.04	66.04	60.96	N/A	65.74	N/A	8.50	3.50	4.25	A1 A25 B1 B25	25	25
10035388-206 10035388-206LF	84.28	81.28	76.20	N/A	80.98	N/A	8.50	3.50	4.25	A1 A31 B1 B31	31	31
10035388-110 10035388-110LF	69.04	66.04	60.96	N/A	65.74	N/A	8.50	3.50	4.25	A1 A25 B1 B25	25	25
10035388-204 10035388-204LF	81.74	78.74	73.66	N/A	78.44	N/A	8.50	3.50	4.25	ALL LOADED	30	30
10035388-114 10035388-114LF	41.10	38.10	33.02	N/A	37.80	N/A	8.50	3.50	4.25	ALL LOADED	14	14
10035388-119 10035388-119LF	94.44	91.44	86.36	N/A	91.14	N/A	8.50	3.50	4.25	A1 A35 B1 B35	35	35
10035388-120 10035388-120LF	69.04	66.04	60.96	N/A	65.74	N/A	8.50	3.50	4.25	A1 A25 B1 B25	25	25
10035388-121 10035388-121LF	48.72	45.72	40.64	N/A	45.42	N/A	8.50	3.50	4.25	A1 A17 B1 B17	17	17
10035388-122 10035388-122LF	76.66	73.66	68.58	N/A	73.36	N/A	8.50	3.50	4.25	A1 A28 B1 B28	28	28
10035388-123 10035388-123LF	69.04	66.04	60.69	N/A	65.74	N/A	8.50	3.50	4.25	A1 A25 B1 B25	25	25

spec ref	*	dr	De-Ming Lu	2014/08/06	projection		size	A4	scale	1:1		
tolerance std	ISO 406 ISO 1101	eng	Leborn Luo	2018/02/05			ecn no				ELX-DG-29258-1	
TOLERANCES UNLESS OTHERWISE SPECIFIED		chr	Feng Zheng	2018/02/06			rel level					Released
surface	linear	appr	Pei-Ming Zheng	2018/02/06			product family					-
	angular				Amphenol FCI							
					POWER EDGE CARD CONNECTOR							
					WITHOUT SIGNAL ASSY							
					cat. no.					-		
					Product - Customer Drw							
					sheet 6 of 6							
					rev					AN		
					dwg no					10035388		

Mouser Electronics

Authorized Distributor

Click to View Pricing, Inventory, Delivery & Lifecycle Information:

[FCI / Amphenol:](#)

[10035388-000LF](#) [10035388-001LF](#) [10035388-100LF](#) [10035388-101LF](#) [10035388-200LF](#) [10035388-400LF](#)
[10035388-700LF](#) [10035388-900LF](#) [10035388-903LF](#) [10035388-904LF](#) [10035388-905LF](#) [10035388-500](#) [10035388-600](#) [10035388-300LF](#) [10035388-500LF](#) [10035388-203LF](#) [10035388-800LF](#) [10035388-104LF](#) [10035388-102LF](#)
[10035388-107LF](#) [10035388-912LF](#) [10035388-106LF](#) [10035388-911LF](#) [10035388-205LF](#) [10035388-910LF](#)
[10035388-908LF](#) [10035388-909LF](#) [10035388-206LF](#) [10035388-108LF](#) [10035388-907LF](#) [10035388-802LF](#)
[10035388-105LF](#) [10035388-103LF](#) [10035388-000](#) [10035388-100](#) [10035388-200](#) [10035388-400](#) [10035388-700](#)
[10035388-001](#) [10035388-101](#) [10035388-300](#) [10035388-122LF](#) [10035388-114LF](#) [10035388-204LF](#) [10035388-201LF](#)
[10035388-110LF](#)