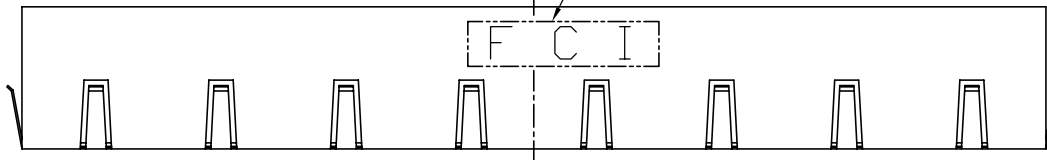


FCI LOGO (SEE NOTE 3)



114.3

97.79 (13.97x7 pitch)

13.97 TYP.

PIN 1

PIN 8

LED1 (OPTIONAL)

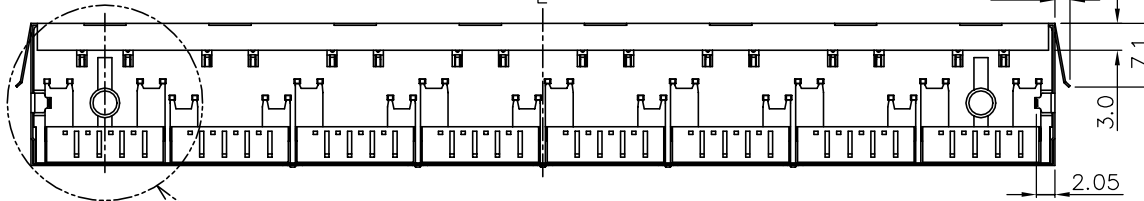
LED2 (OPTIONAL)

13.97 TYP.

55.88 (13.97x 4 pitch)

110.0

1.7



12.95

2.8

2.75±0.25

3.7

1.20

2.40

8.87

3.35

2.54

3.15±0.25

3.85

7.1

2.05

3.0

7.1

2.05

7.1

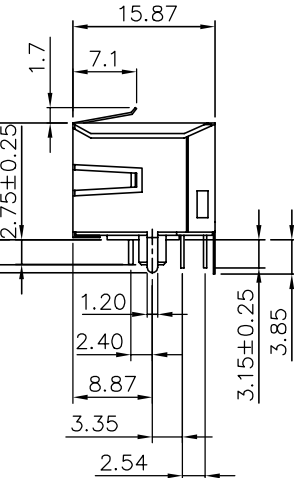
2.05

7.1

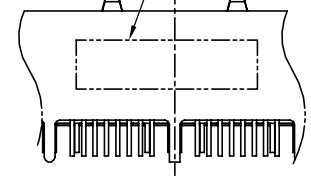
2.05

7.1

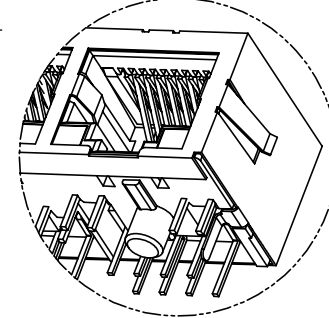
2.05



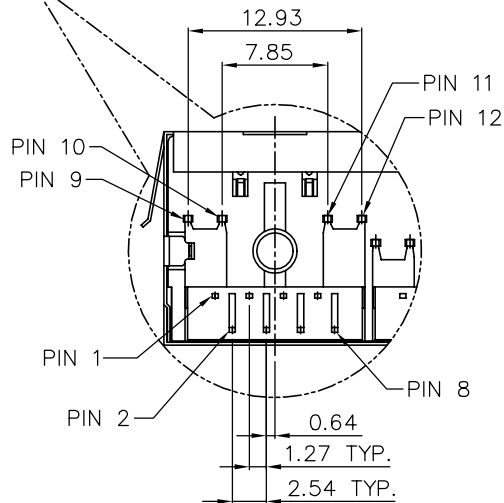
PRINT DATE CODE
SEE NOTE 4



BACK VIEW



PARTIAL VIEW



12.93

7.85

PIN 11

PIN 12

PIN 10

PIN 9

PIN 1

PIN 8

PIN 2

0.64

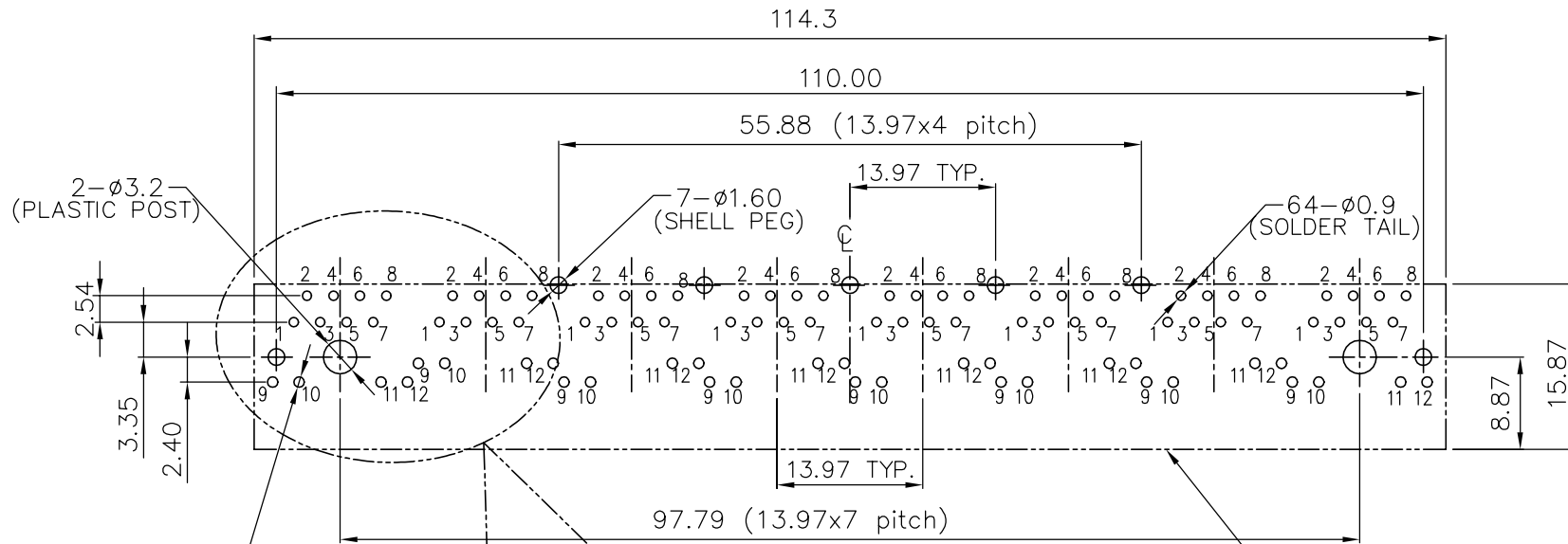
1.27 TYP.

2.54 TYP.



Copyright FCI.

mat'l. code				tolerances unless otherwise specified			CUSTOMER COPY		FCI www.fciconnect.com	
ltr	ecn no	dr	date	linear	.X ±0.25		projection	title		
A	T10-0122	WL	08/02/10		.XX ±0.20			RJ 1x8 TAB DOWN WITH LED & EMI WITHOUT TRANSFORMER		
B	T10-0125	WL	08/05/10	angles	.XXX ±0.15		MM	product family		
C	ECN-ELX-N-008544	A.ZH	12/06/11					size		
				dr	WENDY CHEN	02/25/10	scale	A4		code
				engr	WENDY CHEN	02/25/10		10113616		NT
				chr	GARY HSIEH	02/25/10				sheet
				appd	JOSEPH HSIA	02/25/10				1 of 3
sheet index	revision sheet	C 1~3								



2-ø3.2
(PLASTIC POST)

7-ø1.60
(SHELL PEG)

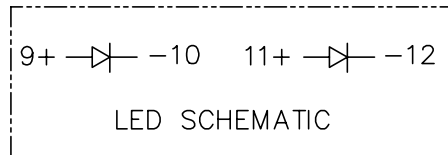
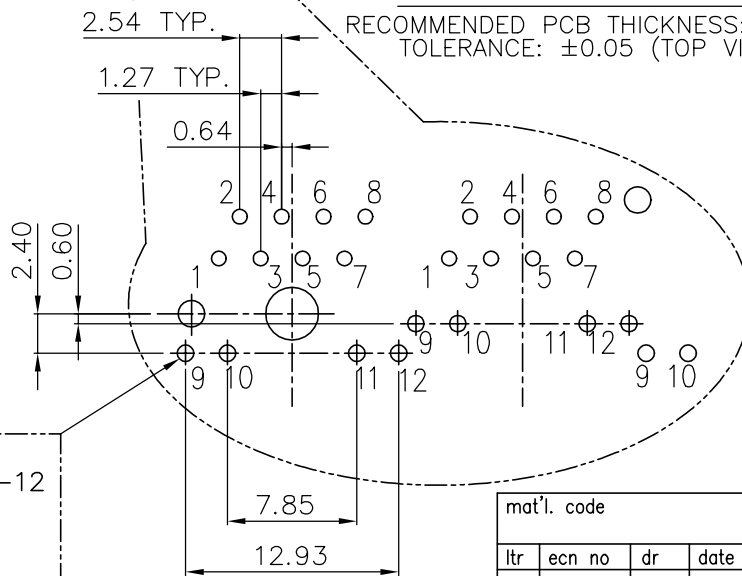
64-ø0.9
(SOLDER TAIL)

32-ø1.00
(LED SOLDER TAIL)

RECOMMENDED PCB LAYOUT

RECOMMENDED PCB THICKNESS: 1.6mm
TOLERANCE: ±0.05 (TOP VIEW)

KEEP OUT ZONE.
NO PATTERN UNDER THIS AREA.



mat'l. code				tolerances unless otherwise specified			CUSTOMER COPY		FCJ www.fcconnect.com	
ltr	ecn no	dr	date	linear	.X ±0.25		projection	title		
C					.XX ±0.20			RJ 1x8 TAB DOWN WITH LED & EMI WITHOUT TRANSFORMER		
					.XXX ±0.15			product family		
				angles			MM	size		code
				dr	WENDY CHEN	02/25/10		A4		NT
				enrg	WENDY CHEN	02/25/10	scale		sheet	
				chr	GARY HSIEH	02/25/10			2 of 3	
				appd	JOSEPH HSIA	02/25/10			cage code	
sheet index	revision sheet								22526	

A

B



Copyright FCI.

NOTE:

1. MATERIAL:
 - HOUSING: THERMOPLASTIC HIGH TEMPERATURE, UL 94V-0, COLOR-BLACK.
 - INSERT HOUSING: THERMOPLASTIC HIGH TEMPERATURE, UL 94V-0, COLOR-BLACK.
 - CONTACTS: COPPER ALLOY.
 - LED SOLDER TAIL: STEEL.
 - SHIELD: COPPER ALLOY.
2. FINISH:
 - CONTACTS: 50u" MIN. NICKEL UNDER PLATED OVER ALL. SELECTIVE GOLD PLATED ON CONTACT AREA, 1u" GOLD PLATED ON SOLDER TAIL.
 - LED SOLDER TAIL: 100u" MIN. MATTE TIN OVER 50u" NICKEL UNDER PLATED.
 - SHELL: 20u" MIN. NICKEL OVER ALL.
3. "FCI" LOGO IS STAMPED ON THE SHIELD.
4. "DATE CODE" DESCRIPTION:
 - XX XX
 |
 WEEK
 |
 YEAR (EX. : 10--2010)
5. PART NUMBER DESCRIPTION:
 - 10113616-X X X X X LF
 - LEAD FREE
 - OPTIONAL GROUND SPRING
 0 : WITHOUT
 1 : WITH
 - LED COLOR
 0 : WITHOUT LED
 1 : LED1: GREEN / LED2:YELLOW
 2 : LED1: YELLOW / LED2:GREEN
 3 : LED1: GREEN / LED2:GREEN
 - CONTACT AREA PLATING
 1 : 15u" GOLD PLATING
 2 : 30u" GOLD PLATING
 3 : 50u" GOLD PLATING
 4 : 6u" GOLD PLATING
 5 : 1u" GOLD FLASH PLATING
 - ELECTRICAL CIRCUIT
 01: SEE FIGURE 1

6. PRODUCT PERFORMANCE PER SPEC. : GS-12-0990.
7. PACKING SPEC. : GS-14-1503.
8. THIS PRODUCT MEETS THE EUROPEAN UNION DIRECTIVE AS DESCRIBED IN GS-22-008.
9. THE HOUSING WILL WITHSTAND EXPOSURE TO 265°C PEAK TEMPERATURE FOR 5 SECONDS IN A WAVE SOLDER APPLICATION WITH A CIRCUIT BOARD.

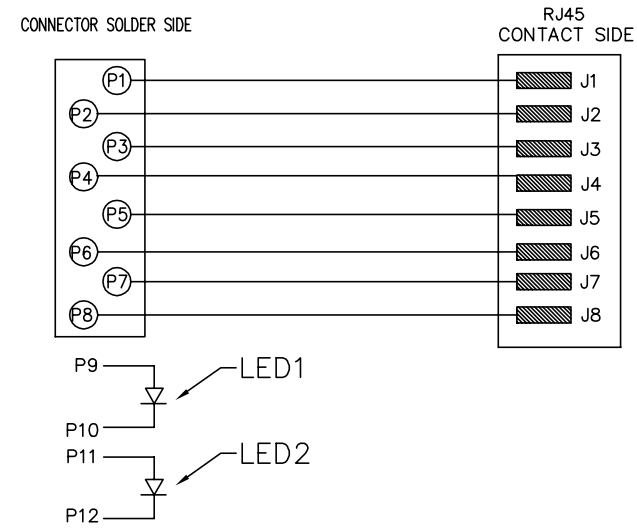


FIGURE 1

mat'l. code				tolerances unless otherwise specified			CUSTOMER COPY		FCI		www.fciconnect.com	
ltr	ecn no	dr	date	linear	.X ±0.25		projection	title				
C					.XX ±0.20			RJ 1x8 TAB DOWN WITH LED & EMI WITHOUT TRANSFORMER				
					.XXX ±0.15			product family				
				angles			MM		size		code	
				dr	WENDY CHEN	02/25/10	← MM →		dwg no		NT	
				engr	WENDY CHEN	02/25/10	scale		10113616		sheet	
				chr	GARY HSIEH	02/25/10					3 of 3	
				appd	JOSEPH HSIA	02/25/10						
sheet index	revision sheet											



Copyright FCI.

Mouser Electronics

Authorized Distributor

Click to View Pricing, Inventory, Delivery & Lifecycle Information:

[FCI / Amphenol:](#)

[10113616-01231LF](#) [10113616-01531LF](#)