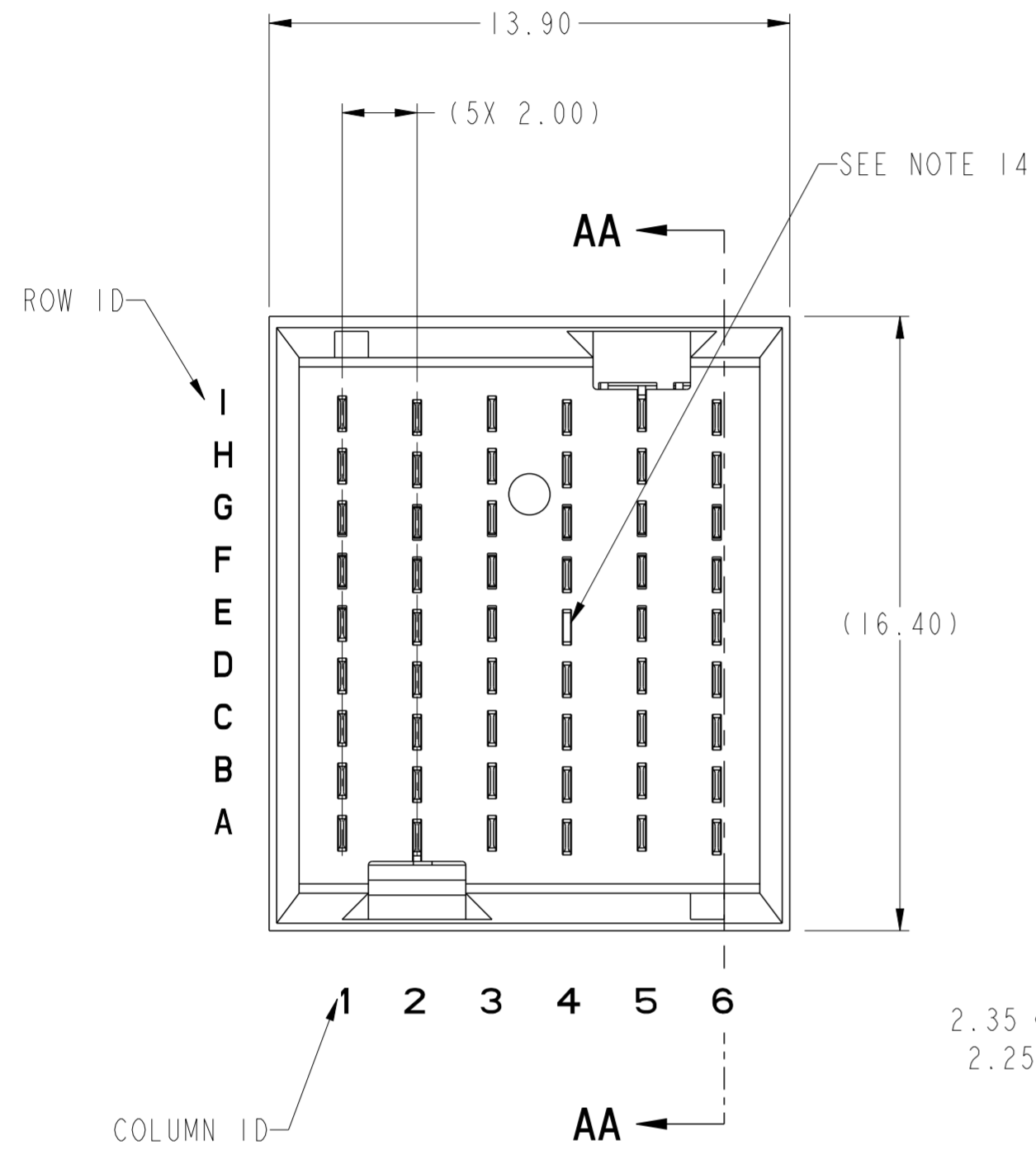
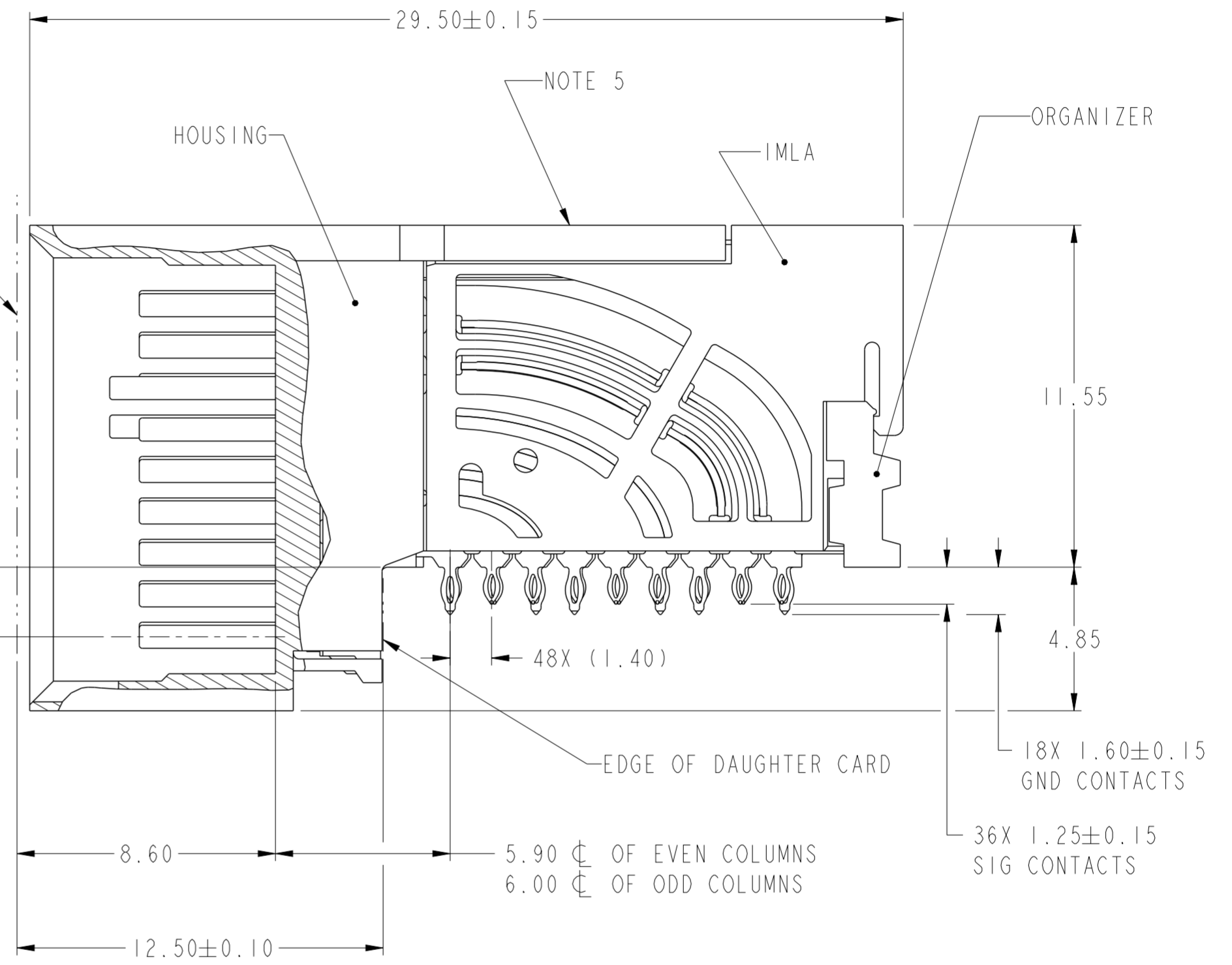


PRODUCT NUMBER  
SEE SHEET 3



2.35  $\phi$  OF EVEN COLUMNS  
2.25  $\phi$  OF ODD COLUMNS



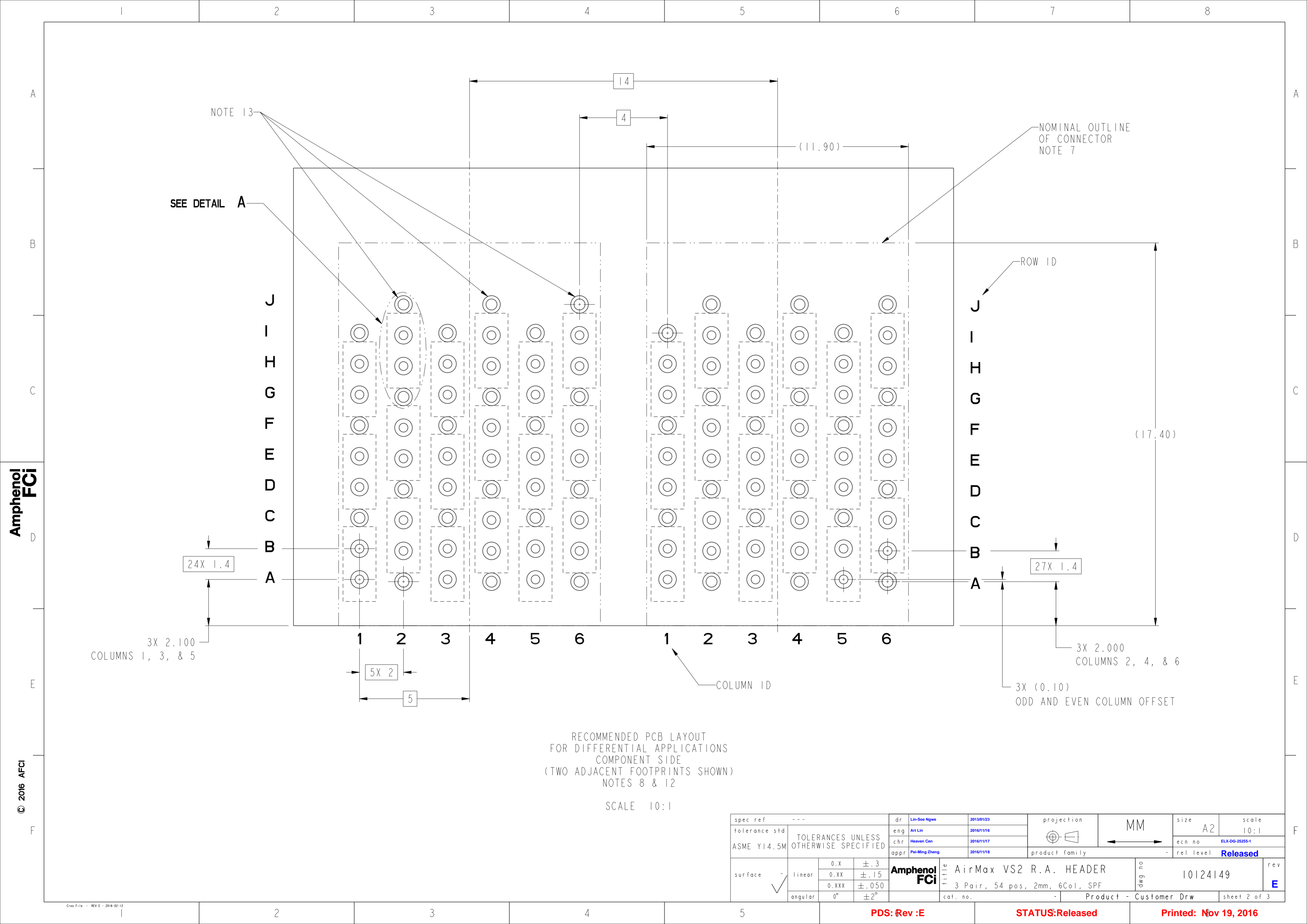
SECTION AA-AA

spec ref	---	dr	Lin-Soe Ngwe	2013/01/23	projection	MM	size	A2	scale	6:1
tolerance std	ASME Y14.5M	eng	Art Lin	2016/11/16			ecn no	ELX-DG-25255-1	rel level	Released
TOLERANCES UNLESS OTHERWISE SPECIFIED		chr	Heaven Cen	2016/11/17			product family	AirMax VS2		
		appr	Pai-Ming Zheng	2016/11/18			title	AirMax VS2 R.A. HEADER		dwg no
surface	linear	0.X	±.3		3 Pair, 54 pos, 2mm, 6Col, SPF		cat. no.	-	Product - Customer Drw	sheet 1 of 3
		0.XX	±.15							
		0.XXX	±.050							
	angular	0°	±2°							

PDS: Rev :E

STATUS:Released

Printed: Nov 19, 2016



RECOMMENDED PCB LAYOUT  
FOR DIFFERENTIAL APPLICATIONS  
COMPONENT SIDE  
(TWO ADJACENT FOOTPRINTS SHOWN)  
NOTES 8 & 12

SCALE 10:1

spec ref	---	dr	Lin-Soe Ngwe	2013/01/23	projection	MM	size	A2	scale	10:1						
tolerance std	ASME Y14.5M	eng	Art Lin	2016/11/16			ecn no	ELX-DG-25255-1								
TOLERANCES UNLESS OTHERWISE SPECIFIED		chr	Heaven Cen	2016/11/17			rel level	Released								
		appr	Pai-Ming Zheng	2016/11/18			product family									
surface	<table border="1"> <tr> <td rowspan="3">linear</td> <td>0.X</td> <td>±.3</td> </tr> <tr> <td>0.XX</td> <td>±.15</td> </tr> <tr> <td>0.XXX</td> <td>±.050</td> </tr> <tr> <td>angular</td> <td>0°</td> <td>±2°</td> </tr> </table>	linear	0.X	±.3	0.XX	±.15	0.XXX	±.050	angular	0°	±2°		<b>Amphenol FCI</b> title AirMax VS2 R.A. HEADER 3 Pair, 54 pos, 2mm, 6Col, SPF	cat. no. - Product - Customer Drw	rev no 10124149 rev E	sheet 2 of 3
linear	0.X		±.3													
	0.XX		±.15													
	0.XXX	±.050														
angular	0°	±2°														

PRODUCT NUMBER	PRESS-FIT TAIL PLATING TYPE	SHORT DETECT CONTACT	REMARK
10124149-101	TIN/LEAD ALLOY OVER NICKEL	NO	1-SIDE PLATING (CUSTOMER SPECIAL)
10124149-101LF	TIN OVER NICKEL (LEAD FREE)		
10124149-111	TIN/LEAD ALLOY OVER NICKEL	YES (SEE NOTE 14)	
10124149-111LF	TIN OVER NICKEL (LEAD FREE)		
10124149-102	TIN/LEAD ALLOY OVER NICKEL	NO	2-SIDE PLATING
10124149-102LF	TIN OVER NICKEL (LEAD FREE)		
10124149-112	TIN/LEAD ALLOY OVER NICKEL	YES (SEE NOTE 14)	
10124149-112LF	TIN OVER NICKEL (LEAD FREE)		

1 - CONNECTOR MATERIALS:  
HOUSING: HIGH TEMP THERMOPLASTIC, NATURAL, UL94-V0  
IMLA PLASTIC: HIGH TEMP THERMOPLASTIC, BLACK, UL94-V0  
CONTACT: COPPER ALLOY  
ORGANIZER: HIGH TEMP THERMOPLASTIC, NATURAL, UL94-V0

2 - CONTACT PLATING:  
SEPARABLE INTERFACE:  
PERFORMANCE-BASED PLATING, QUALIFIED TO MEET THE REQUIREMENTS OF FCI PRODUCT SPECIFICATION GS-12-0956 INCLUDING TELCORDIA GR-1217-CORE (NOVEMBER 1995) CENTRAL OFFICE TEST SEQUENCE

PRESS-FIT TAILS: SEE TABLE

3 - PRODUCT SPECIFICATION: GS-12-0956

4 - APPLICATION SPECIFICATION: GS-20-0305

5 - PRODUCT MARKING, (PROTOTYPE, PART NUMBER & LOT CODE), ON THIS SURFACE.

6 - POSITIONS "F" OF ODD NUMBERED COLUMNS AND POSITIONS "G" OF EVEN NUMBERED COLUMNS CORRESPOND TO EARLY MATE HEADER PINS.

7 - CONNECTOR OUTLINE MAY BE SCREEN PRINTED ONTO CUSTOMER PCB TO BE USED AS A GUIDE FOR CONNECTOR PLACEMENT.

8 - REFER TO CUSTOMER DRAWING 10104444 FOR INFORMATION ON PCB HOLE DIAMETERS AND PLATING OPTIONS

9 - LEAD FREE PRODUCT MEETS THE EUROPEAN UNION DIRECTIVES & OTHER COUNTRY REGULATIONS AS DESCRIBED IN GS-22-008

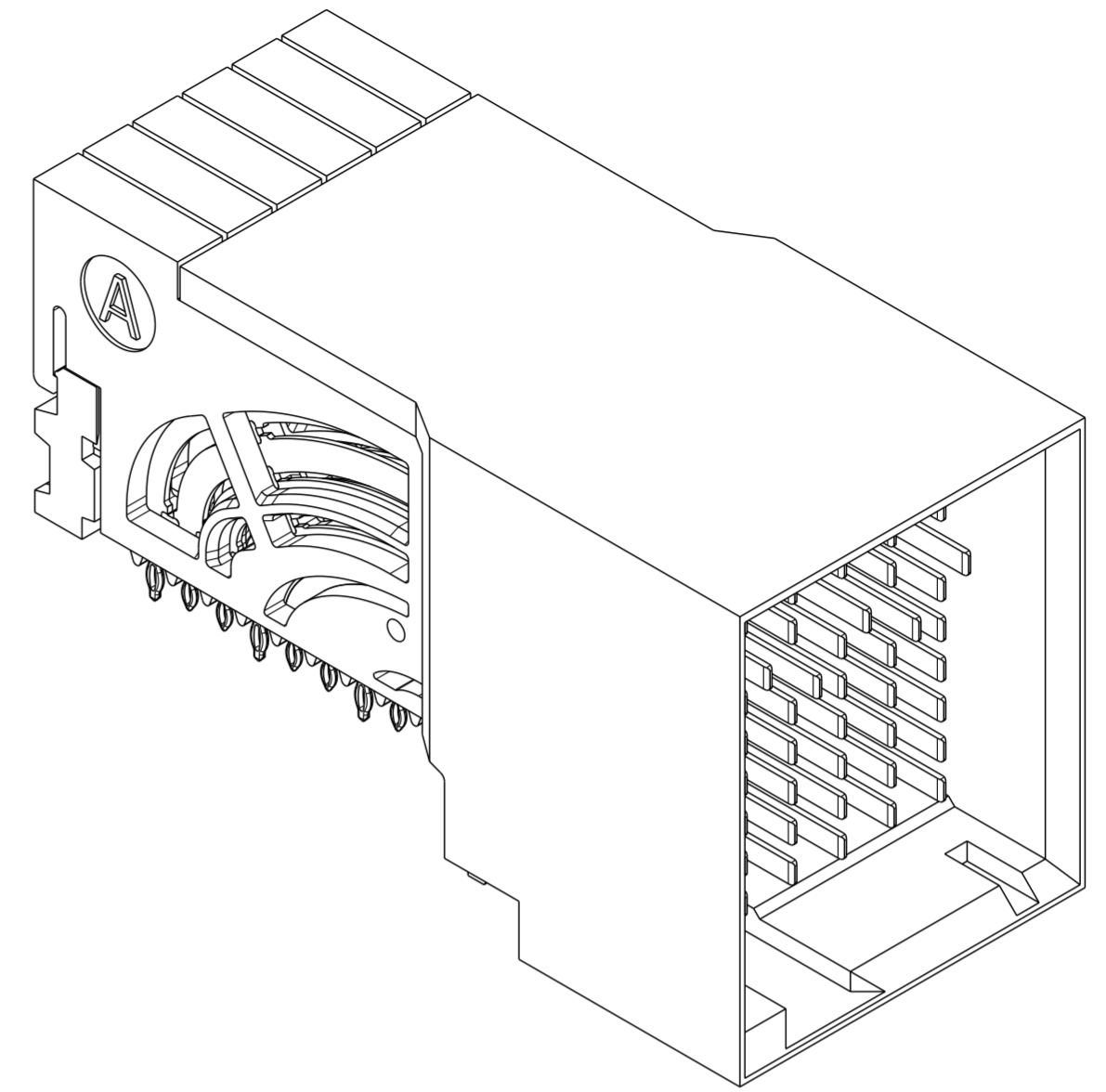
10 - A  $\triangle$  SYMBOL WILL BE NEXT TO ANY DIMENSION, VIEW, OR NOTE, WHICH HAS BEEN MODIFIED WITH THE CURRENT DRAWING REVISION.

11 - PACKAGING MEETS GS-14-920 LEAD FREE LABELING SPECIFICATION.

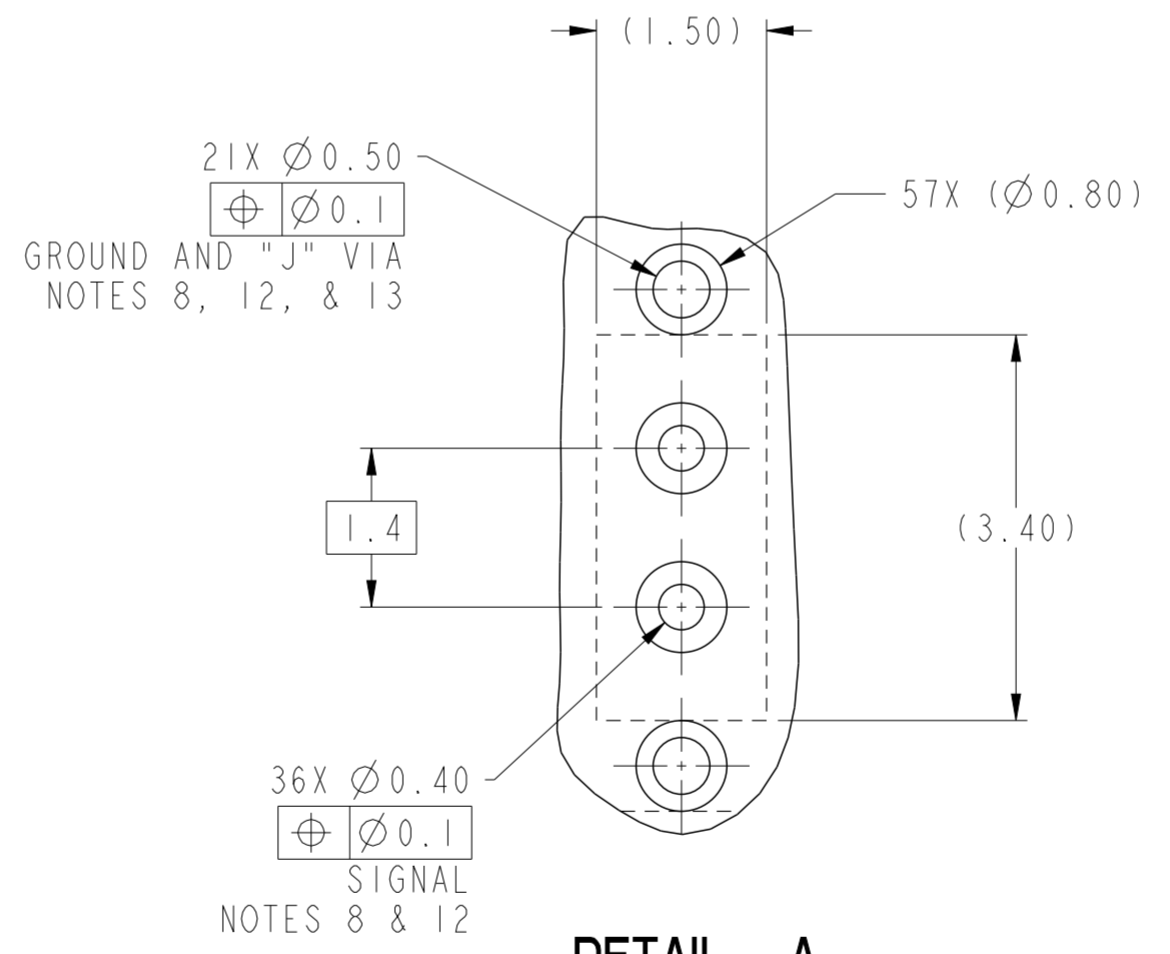
12 - GROUND CONTACTS (C, F, & I IN ODD COLUMNS AND A, D, & G IN EVEN COLUMNS) REQUIRE ( $\phi 0.50$ ) FINISHED HOLES. SIGNAL LOCATIONS REQUIRE ( $\phi 0.40$ ) FINISHED HOLES

13 - THESE OUTER VIAS (J) ARE OPTIONAL. WHILE NO CONNECTOR EONS ARE PRESSED INTO THESE HOLES WE RECOMMEND ( $\phi 0.500$ ) FINISHED HOLES AT THESE LOCATIONS TO PROVIDE GROUND SYMMETRY THROUGH THE PCB.

14 MATING PIN E4 HAS 0.5mm LESS NOMINAL WIPE THAN THE SHORTEST PIN.



10124149-101 OR -101LF



DETAIL A SCALE 15:1

Amphenol FCI

© 2016 AFCI

spec ref	---	dr	Lin-Soe Ngwe	2013/01/23	projection	MM	size	A2	scale	10:1										
tolerance std	ASME Y14.5M	eng	Art Lin	2016/11/16			ecn no	ELX-DG-25255-1												
TOLERANCES UNLESS OTHERWISE SPECIFIED		chr	Heaven Cen	2016/11/17			rel level	Released												
surface	<table border="1"> <tr><td>linear</td><td>0.X</td><td><math>\pm .3</math></td></tr> <tr><td></td><td>0.XX</td><td><math>\pm .15</math></td></tr> <tr><td></td><td>0.XXX</td><td><math>\pm .050</math></td></tr> <tr><td>angular</td><td>0°</td><td><math>\pm 2^\circ</math></td></tr> </table>	linear	0.X	$\pm .3$		0.XX	$\pm .15$		0.XXX	$\pm .050$	angular	0°	$\pm 2^\circ$	appr	Pai-Ming Zheng	2016/11/18	product family			
linear		0.X	$\pm .3$																	
		0.XX	$\pm .15$																	
	0.XXX	$\pm .050$																		
angular	0°	$\pm 2^\circ$																		
		Amphenol FCI	title		AirMax VS2 R.A. HEADER			dwg no	10124149											
				3 Pair, 54 pos, 2mm, 6Col, SPF				rev	E											
				cat. no.				Product - Customer Drw		sheet 3 of 3										

PDS: Rev :E

STATUS:Released

Printed: Nov 19, 2016

# Mouser Electronics

Authorized Distributor

Click to View Pricing, Inventory, Delivery & Lifecycle Information:

[FCI / Amphenol:](#)

[10124149-101LF](#) [10124149-102LF](#) [10124149-111LF](#) [10124149-112LF](#)