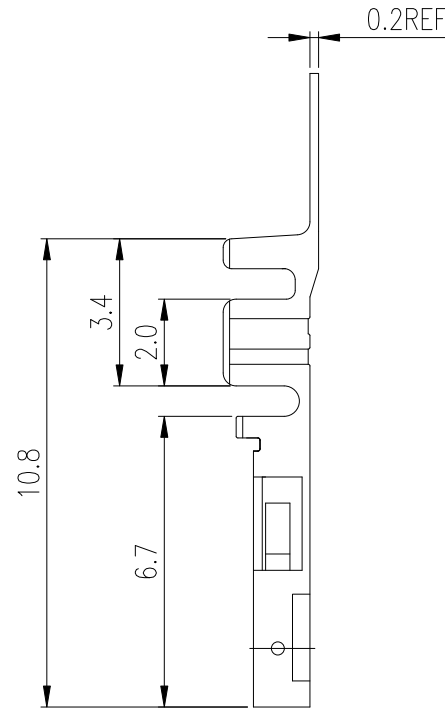
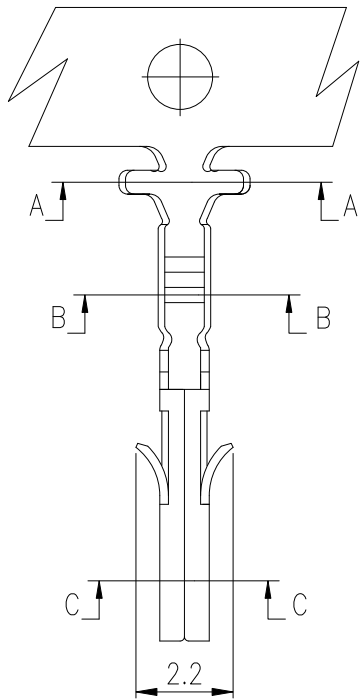


PRODUCT NUMBER
10127718-00XXLF

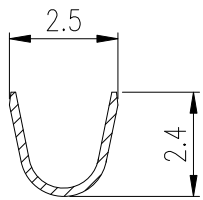


NOTES:

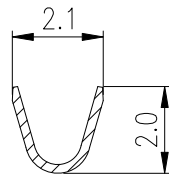
1. MATERIAL:
TERMINAL: PHBR
2. FINISH:
MIN. 30u" NICKEL OVERALL UNDERPLATING.
OPTIONAL PLATING ON CONTACT AREA.
3. PLATE TYPE: OPTIONS.
4. TERMINAL Q'ty/REEL: 10,000PCS.
5. APPLICABLE WIRES: AWG#30~#20, INSULATOR O.D:
1.27~1.85mm.
6. THIS TERMINAL IS USED WITH FCI RECEPTACLE HSG
10127716.
7. PRODUCT SPECIFICATION: GS-12-1177.
8. PACKAGE SPECIFICATION: GS-14-2359.
9. PRODUCT NUMBER SCHEME:
10127718-00 X X LF

PLATING TYPE
P: PRE-PLATED
BLANK: POST-PLATED

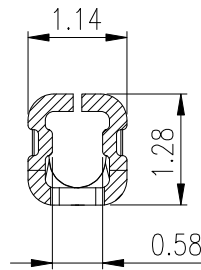
PLATING CODE
1: 80u" TIN OVERALL, CONTACT AREA
COATED WITH LUBRICANT (POST-PLATED)
2: GOLD FLASH (PRE-PLATED).
3: 15u" Au (PRE-PLATED)
4: 30u" Au (PRE-PLATED)



SEC A-A



SEC B-B



SEC C-C
SCALE 2:1

mat'l. code				surface		tolerance		projection		product family			
ltr				ecn no		dr		date		tolerances unless otherwise specified		title	
A				TAI		2013-10-21		angles		X.X ±0.4		RECEPTACLE CRIMP TERMINAL FOR	
B				ELX-T-17032		TAI		2014-02-25		X.XX ±0.30		MINITEK PWR3.0 WIRE CONNECTOR	
C				ELX-T-18006		TAI		2014-06-19		X°±2°		scale	
D				ELX-T-21533		TAI		2015-07-15		dr		KENNY TAI 2013-10-21	
E				ELX-T-23008		TAI		2016-01-12		enr		KENNY TAI 2013-10-21	
										chr		KENNY TAI 2013-10-21	
										appd		PM ZHENG 2013-11-06	
sheet index		revision sheet		E		1							



FCI
dwg no 10127718
sheet 1 of 1 size A4
type CUSTOMER Drawing

Mouser Electronics

Authorized Distributor

Click to View Pricing, Inventory, Delivery & Lifecycle Information:

[FCI / Amphenol:](#)

[10127718-001LF](#) [10127718-002PLF](#) [10127718-002LF](#) [10127718-001PLF](#) [10127718-004PLF](#) [10127718-003PLF](#)