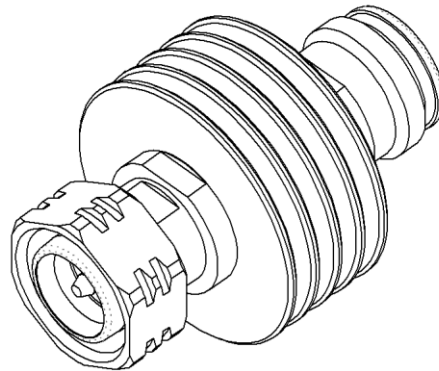
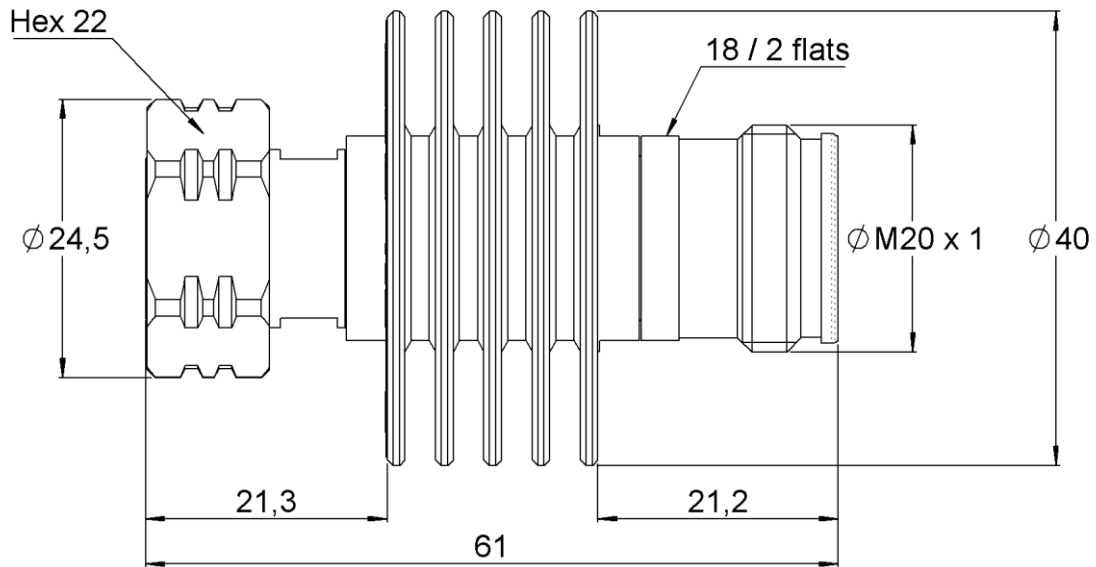
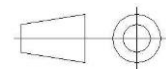


PAGE 1/2	ISSUE 22-01-16A	SERIES ATTENUATOR	PART NUMBER R415606000
----------	-----------------	-----------------------------	-------------------------------



All dimensions are in mm.



COMPONENTS	MATERIALS	PLATING (µm)
Body	BRASS	NICKEL 5
Male center contact	BERYLLIUM COPPER	GOLD 0.5 OVER NICKEL 2
Female center contact	BERYLLIUM COPPER	GOLD 0.5 OVER NICKEL 2
Outer contact	BRONZE	SILVER 5
Insulator	PTFE	
Gasket	EPDM	
Substrate	ALUMINIUM NITRIDE	
Resistor	THIN FILM	
Others parts	ALUMINIUM	BLACK ANODIZATION

PAGE 2/2	ISSUE 22-01-16A	SERIES ATTENUATOR	PART NUMBER R415606000
----------	------------------------	-----------------------------	-------------------------------

ELECTRICAL CHARACTERISTICS

Frequency (GHz)	DC - 6
V.S.W.R (≤)	1.15
Deviation(±dB)	0.3

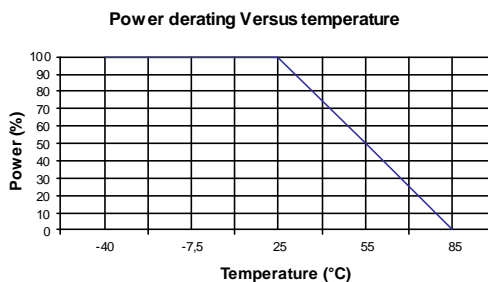
Operating Frequency Range	DC - 6	GHz
Impedance	50	Ω
Nominal Attenuation	6	dB
Peak power at 25°C (1μs, 1%)	250	W
Average power at 25°C	15	W (Free Air Cooled)
		W (Conduction Cooled)

MECHANICAL CHARACTERISTICS

Connectors	4.3-10	Male Female	IEC 60169-54
Weight	106,0500	g	

ENVIRONMENTAL CHARACTERISTICS

Operating temperature range	-40/+85	°C
Storage temperature range	-40/+85	°C



SPECIFICATION

OTHER CHARACTERISTICS

IP 65 when mated with suitable connector

Mouser Electronics

Authorized Distributor

Click to View Pricing, Inventory, Delivery & Lifecycle Information:

[Radial:](#)

[R415606000](#)