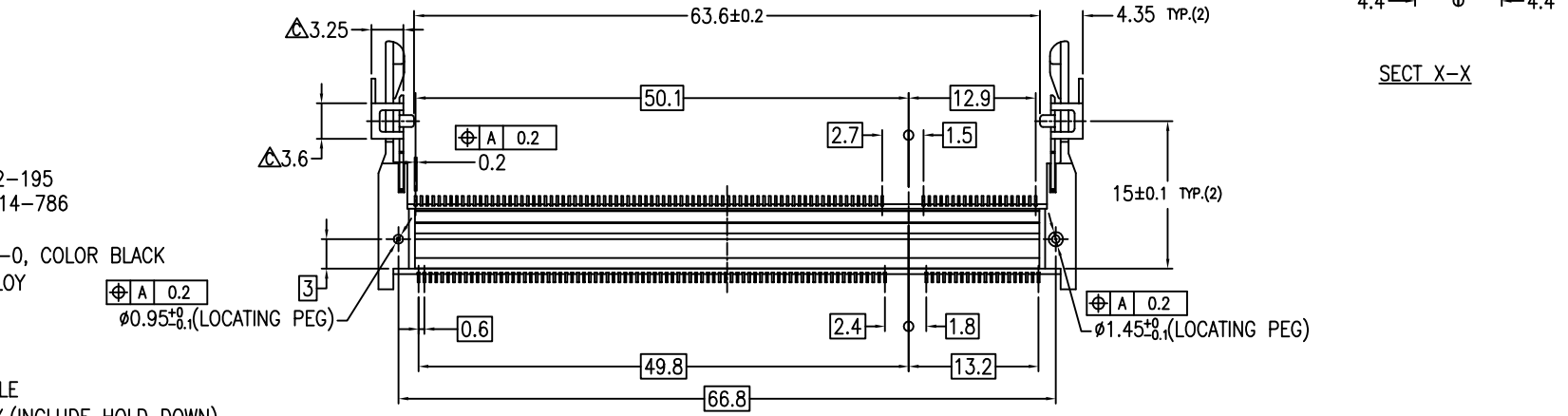
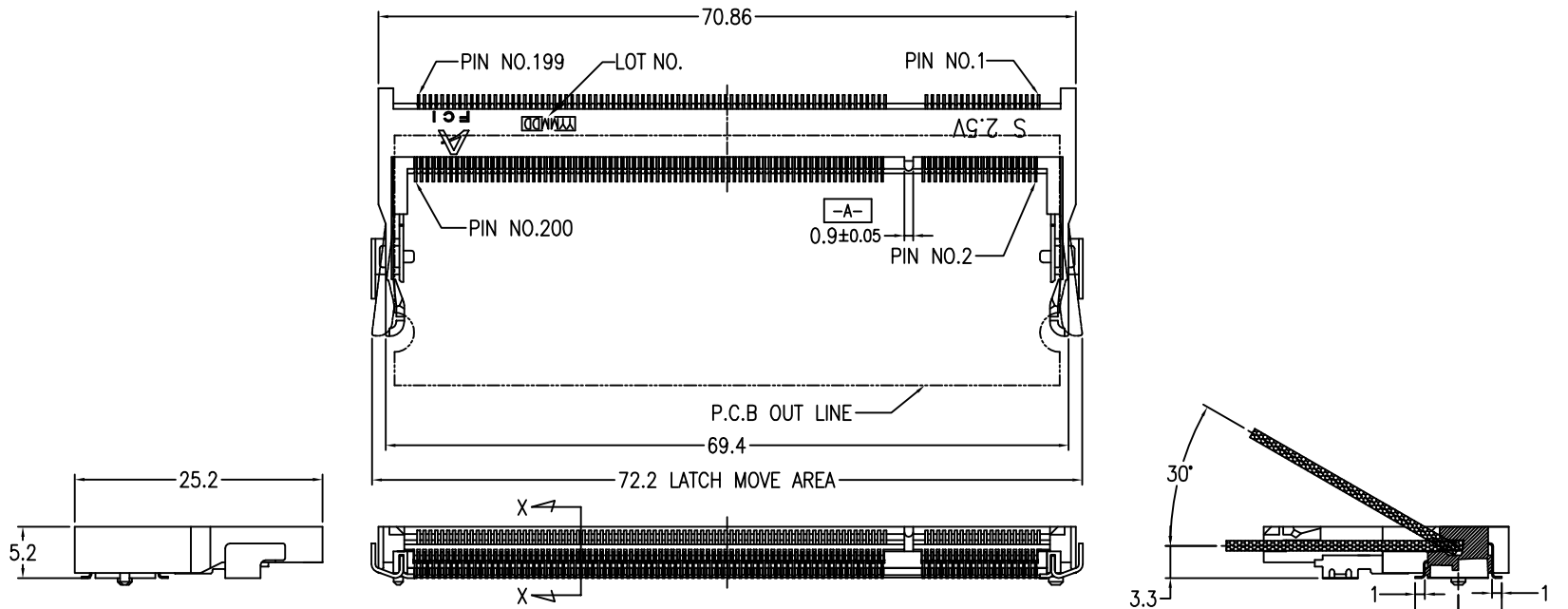


Tous droits strictement reserves. Reproduction ou communication a des tiers interdite sous quelque forme que ce soit sans autorisation ecrite du proprietaire. Propriete de c FCI. Droits de reproduction FCI.



All rights strictly reserved. Reproduction or issue to third parties in any form whatever is not permitted without written authority from the proprietor. Property of FCI. Copyright FCI.

PRODUCT NO.
SEE SHEET 4



- NOTE
1. PRODUCT SPEC. : GS-12-195
 2. PACKAGING SPEC. : GS-14-786
 3. MATERIAL
 - 1) HOUSING : LCP, UL94V-0, COLOR BLACK
 - 2) CONTACT : COPPER ALLOY
 - 3) HOLD DOWN : BRASS
 4. FINISH
 - 1) TERMINAL : SEE TABLE
 - 2) HOLD DOWN : SEE TABLE
 5. CO-PLANARITY : 0.1 MAX.(INCLUDE HOLD DOWN)
 6. THIS PRODUCT MEETS EUROPEAN UNION DIRECTIVES AND OTHER COUNTRY REGULATIONS AS DESCRIBED IN GS-22-008.
 7. THE HOUSING WILL WITHSTAND EXPOSURE TO 260° PEAK TEMPERATURE FOR 10 SECONDS IN A REFLOW SOLDER APPLICATION.

mat'l. code				tolerances unless otherwise specified				CUSTOMER COPY	FCI www.fciconnect.com
ltr	ecn no	dr	date		.X ± 0.30				
G	J04-0132	M.H	04/06/04	linear	.XX ± 0.30				
H	T05-0022	R.C	01/27/05					title DDR SO-DIMM 0.6 mm PITCH 200 POS. STANDARD TYPE ASS'Y	
J	T05-0026	R.C	02/04/05	angles	0° ±2'				
K	PG05-0388	K.W	10/13/05	dr	M.Hasegawa	4/8/04		product family 50UF SO-DIMM	
L	PG08-0333	B.L	12/01/08	enr	M.Hasegawa	4/6/04			code JP
				chr				size dwg no	
				appd				sheet 1 of 4	
sheet index	revision sheet	L 1	L 2	L 3	L 4				

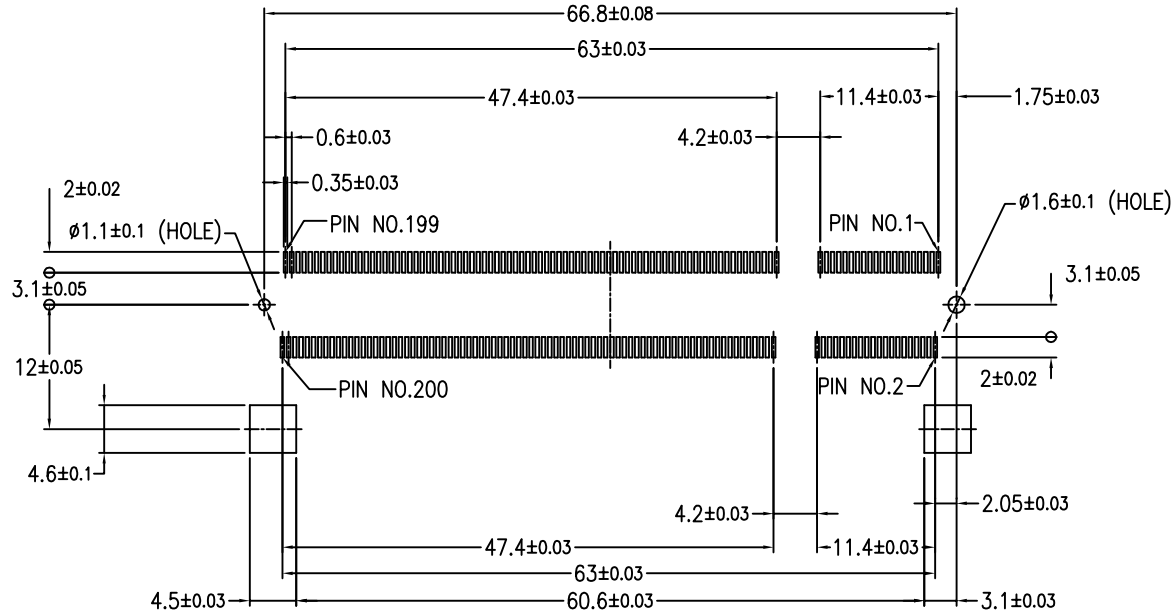
PRODUCT NO.

59354-x52xx

Tous droits strictement reserves. Reproduction ou communication a des tiers interdite sous quelque forme que ce soit sans autorisation ecrite du proprietaire. Propriete de c FCI. Droits de reproduction FCI.



All rights strictly reserved. Reproduction or issue to third parties in any form whatever is not permitted without written authority from the proprietor. Property of FCI. Copyright FCI.



RECOMMENDED MOUNTING P.C.B LAYOUT

mat'l. code				tolerances unless otherwise specified			CUSTOMER COPY	 www.fciconnect.com
ltr	ecn no	dr	date	linear	.X ± 0.30	projection		
L				angles	.XX ± 0.30		title	
				dr	0° ±2°	MM	DDR SO-DIMM 0.6 mm PITCH 200 POS. STANDARD TYPE ASS'Y	
				enr	M.Hasegawa 11/10/03	scale	product family 50UF SO-DIMM	
				chr	M.Hasegawa 11/10/03	2:1	size dwg no	
				appd			B 59354	
sheet index	revision sheet						code JP	
							sheet 2 of	

Tous droits strictement réservés. Reproduction ou communication à des tiers interdite sous quelque forme que ce soit sans autorisation écrite du propriétaire. Propriété de c FCI. Droits de reproduction FCI.



All rights strictly reserved. Reproduction or issue to third parties in any form whatever is not permitted without written authority from the proprietor. Property of FCI. Copyright FCI.

PRODUCT NO.	LOCATING PEG	TERMINAL CONTACT AREA FINISH	HOLD DOWN FINISH	SOLDER TAIL FINISH		
59354-052FS	YES	Au FLASH	Pure Sn PLATING	Au FLASH PLATING		
59354-152FS	NO					
59354-052TS	YES	Au 0.3µm MIN.				
59354-152TS	NO					
59354-052AS	YES	Au 0.76µm MIN.				
59354-152AS	NO					
59354-052FC	YES	Au FLASH			Sn-Cu PLATING	Au FLASH PLATING
59354-152FC	NO					
59354-052TC	YES	Au 0.3µm MIN.				
59354-152TC	NO					
59354-052AC	YES	Au 0.76µm MIN.				
59354-152AC	NO					
59354-252FS	YES	Au FLASH	Pure Sn PLATING	Pure Sn PLATING		
59354-352FS	NO					
59354-252TS	YES	Au 0.3µm MIN.				
59354-352TS	NO					
59354-252AS	YES	Au 0.76µm MIN.				
59354-352AS	NO					
59354-252FC	YES	Au FLASH			Sn-Cu PLATING	Pure Sn PLATING
59354-352FC	NO					
59354-252TC	YES	Au 0.3µm MIN.				
59354-352TC	NO					
59354-252AC	YES	Au 0.76µm MIN.				
59354-352AC	NO					

PRODUCT NO.	LOCATING PEG	TERMINAL CONTACT AREA FINISH	HOLD DOWN FINISH	SOLDER TAIL FINISH		
59354-452FS	YES	Au FLASH	Pure Sn PLATING	Sn-Pb PLATING		
59354-552FS	NO					
59354-452TS	YES	Au 0.3µm MIN.				
59354-552TS	NO					
59354-452AS	YES	Au 0.76µm MIN.				
59354-552AS	NO					
59354-452FC	YES	Au FLASH			Sn-Cu PLATING	Sn-Pb PLATING
59354-552FC	NO					
59354-452TC	YES	Au 0.3µm MIN.				
59354-552TC	NO					
59354-452AC	YES	Au 0.76µm MIN.				
59354-552AC	NO					

△ 59354-□□□□□ LF

<PACKING METHOD>
 R : TAPE REEL
 DEFAULT : TRAY
 <HOLD DOWN FINISH>
 S : Pure Sn
 B : Sn-Pb
 <CONTACT AREA FINISH>
 F : Au FLASH
 T : Au 0.3µm MIN.
 A : Au 0.76µm MIN.
 <TOTAL HEIGHT>
 52 : 5.2mm
 <LOCATING PEG, SOLDER TAIL FINISH>
 0 : YES, Au FLASH
 1 : NO, Au FLASH
 2 : YES, Pure Sn PLATING
 3 : NO, Pure Sn PLATING
 4 : YES, Sn-Pb PLATING
 5 : NO, Sn-Pb PLATING

For Rohs OPTIONS:
 TAIL PLATING CODE MUST BE 0~3.
 HOLD DOWN PLATING CODE MUST BE "S".
 "LF" CODE IS EXIST IN THE END.
 EX: 59354-252TSLF
 FOR NOT Rohs COMPATIBLE:
 THIS "LF" CODE IS "BLANK".
 EX:59354-452TS

mat'l. code				tolerances unless otherwise specified			CUSTOMER COPY		FCI www.fciconnect.com	
ltr	ecn no	dr	date	linear	.X ± 0.30		projection	title DDR SO-DIMM 0.6 mm PITCH 200 POS. STANDARD TYPE ASS'Y		
L					.XX ± 0.30					
				angles	0° ±2'		MM	product family 50UF SO-DIMM size dwg no		
				dr	M.Hasegawa	4/6/04				
				engr	M.Hasegawa	4/6/04	scale	B 59354		
				chr						
				appd			2:1	sheet 4 of		
sheet index	revision sheet									

Mouser Electronics

Authorized Distributor

Click to View Pricing, Inventory, Delivery & Lifecycle Information:

[FCI / Amphenol:](#)

[59354-052FC](#) [59354-052AC](#) [59354-052TSLF](#) [59354-152TSLF](#) [59354-252FSLF](#) [59354-252TSLF](#) [59354-452FC](#)
[59354-052FSLF](#) [59354-152FSLF](#) [59354-252FSRLF](#) [59354-052TSRLF](#) [59354-052FSRLF](#) [59354-252ASRLF](#) [59354-352ASRLF](#) [59354-052ASLF](#)