

Safety magnetic sensors

Magnetic units

CLS series

CARLO GAVAZZI



- Multiple flux coded magnets
- Rectangular shape (CLS)
- Cylindrical shape plastic (CLSA2, CLSA3)
- Cylindrical shape metal (CLSA2M)

Product Description

The coded magnet series with SMS Safety magnetic includes multiple flux sensors. Also metallic case is available (CLSA2M).
rectangular and cylindrical magnets to be used together

Ordering Key

CLS A2 M

Safety Magnetic unit _____
Housing _____
Case Material _____

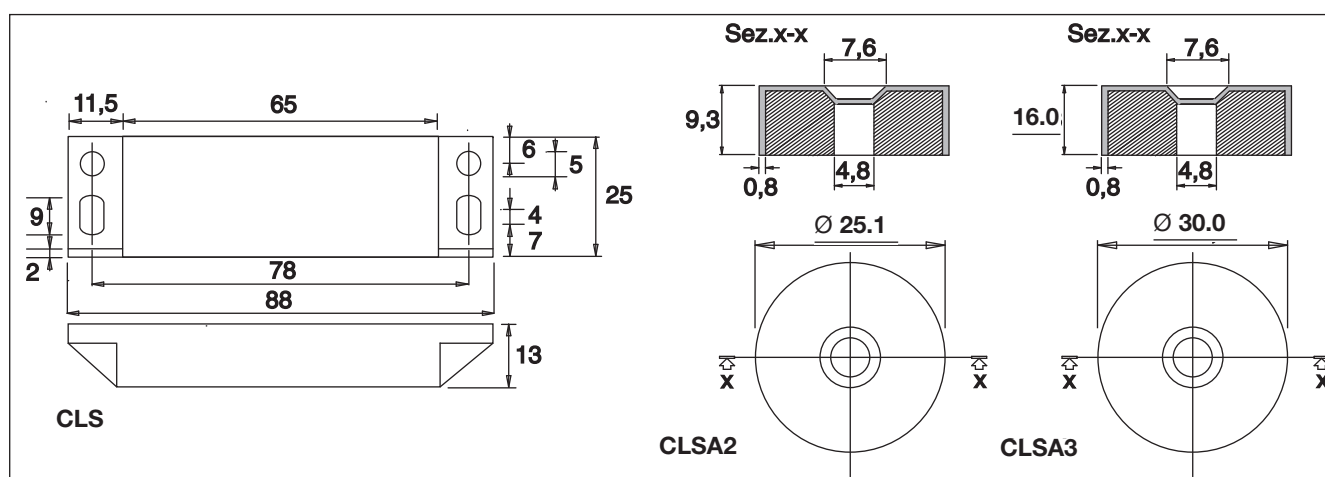
Type Selection

Body shape	Dimensions	Case material	Item code	Item Code (UL)
Rectangular	88 x 25 x 13 mm	Plastic	CLS	CLS D88 P M0
Cylindrical	Ø 25.1 x 9.3 mm	Plastic	CLSA2	CLS A25 P C0
Cylindrical	Ø 25.1 x 9.3 mm	Stainless steel	CLSA2M	CLS A25 M N0
Cylindrical	Ø 30.0 x 16.0 mm	Plastic	CLSA3	CLS A30 P E0

General Specifications

Housing	Dimensions	Weight	Environment
Material	CLS, CLSAXXPXX, CLSA25M	CLS, CLSA2, CLSA2M, CLSA3	Degree of protection, Operating temperature, Storage temperature
	CLS: 88x25x13 mm CLSA2: Ø 25.1 x 9.3 mm CLSA3: Ø 30.0 x 16.0 mm	CLS: Approx. 35 g CLSA2: Approx. 13 g CLSA2M: Approx. 25 g CLSA3: Approx. 18 g	IP 67 -25 to +70 °C -25 to +70 °C
	Plastic, Stainless steel		

Dimensions



Safety Magnetic Sensors

Mouser Electronics

Authorized Distributor

Click to View Pricing, Inventory, Delivery & Lifecycle Information:

[Carlo Gavazzi:](#)

[CLS](#) [CLSA3CG](#) [CLSD88PM0](#) [CLSA2](#) [CLSA3](#)