

Datasheet

RS PRO Fire Rated Standard Magnetic Lock

Stock No: 192-4534



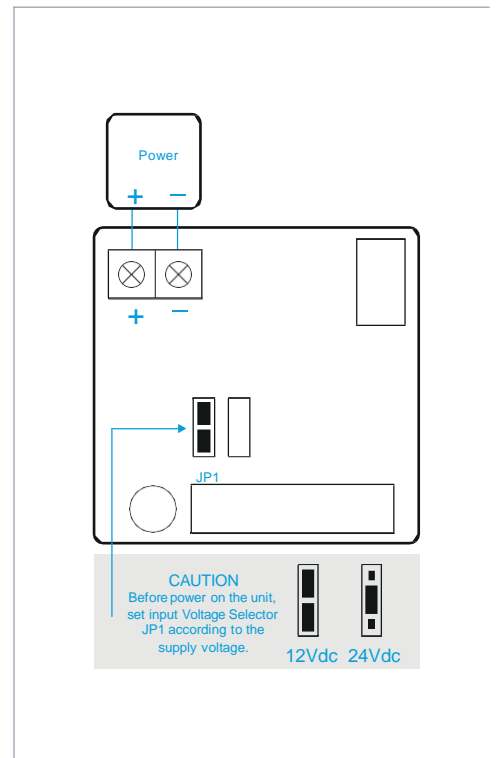
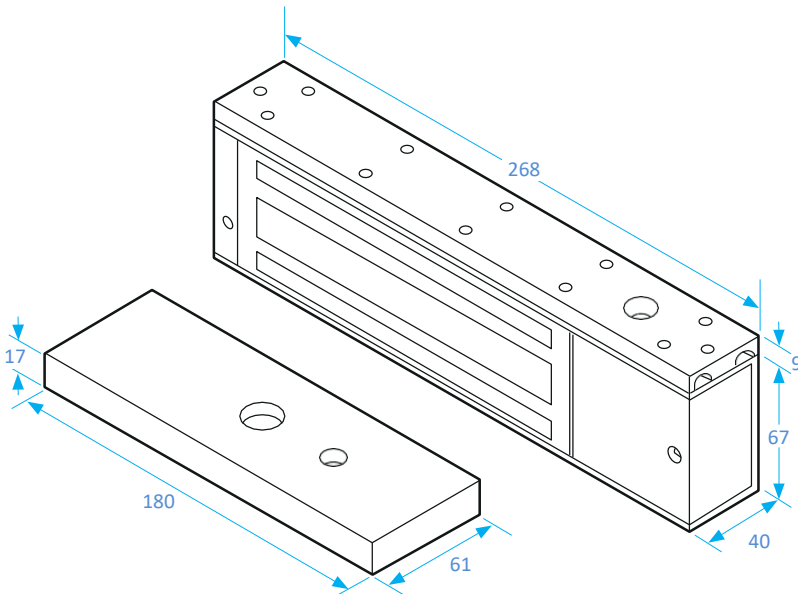
Technical Specifications:

268mm x 40mm x 76mm	FD30 + FD60 Rating
Operating voltage 12Vdc /24Vdc Selectable	Fail-safe
Up To 1200lbs holding force	
1 Hour UK fire certificate	•Aluminium

Features & Benefits:

- 1 Hour UK fire certificate
- Up To 1200lbs holding force
- Operating voltage 12Vdc/24Vdc Selectable

Dimensional line drawings



Quality Standards:

BS EN1634:1



General

- Voltage tolerance: $\pm 10\%$.
- Current draw: 480mA at 12Vdc, 240mA at 24Vdc (at temperature 20°C).
- Operating temperature: -10~55°C (14 to 131°F).
- Lock's surface temperature: Current temperature $\pm 20\%$ (when power is on).
- Humidity: 0~95% non-condensing.
- Aluminium housing, nickel plated armature.