

## NAHDMI-W-B

HDMI feedthrough adapter, black D-shape housing

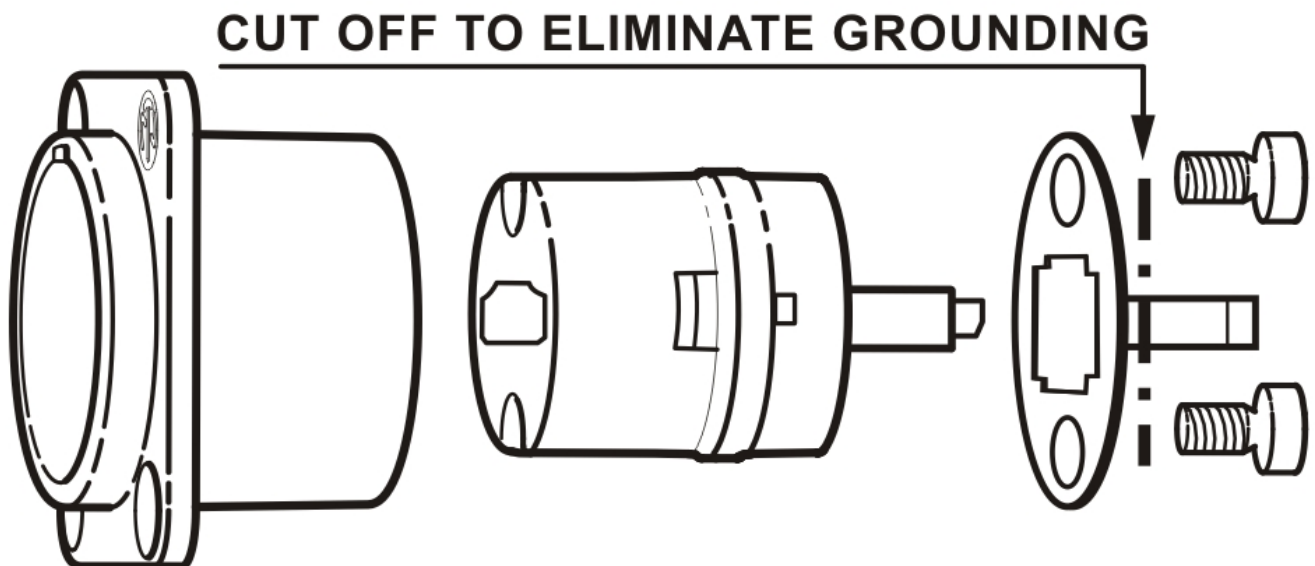
Neutrik's HDMI solution for the transmission of any digital TV and PC video format including high-definition video (HDTV) can be integrated in networks very easy.



### Features & Benefits

- To transmit any digital TV and PC video format including high-definition video (HDTV)
- IP65 ingress protection in mated condition with NKHDMI-\* and SCDP-\* sealing gasket
- Removable screen to chassis grounding
- HDMI feedthrough adapter with 19 pole HDMI receptacle at both ends
- Universally accepted standard D-shape housing
- Shielded system - high noise immunity and EMI protection due to continuous 360 degree shield

### Removable screen to chassis grounding



**Technical Information**

Product	
<b>Title</b>	NAHDMI-W-B
<b>Connection Type</b>	Adapter
<b>Gender</b>	female

Mechanical	
<b>Wiresize</b>	
<b>Locking device</b>	Push-Pull
<b>Mounting direction</b>	Front or rear mounting (max 2 mm panel thickness)
<b>Chassis shape</b>	D
<b>Lifetime</b>	> 1000 mating cycles

Material	
<b>Contact plating</b>	Au
<b>Contacts</b>	Brass (CuZn39Pb3)
<b>Insert</b>	
<b>Shell</b>	Zinc diecast (ZnAl4Cu1)
<b>Shell plating</b>	Black chromium

Environmental	
<b>Flammability</b>	UL 94 V-0
<b>Standard compliance</b>	HDMI 2.0
<b>Temperature range</b>	-25 °C to +85 °C

# Mouser Electronics

Authorized Distributor

Click to View Pricing, Inventory, Delivery & Lifecycle Information:

[Neutrik:](#)

[NAHDMI-W-B](#)