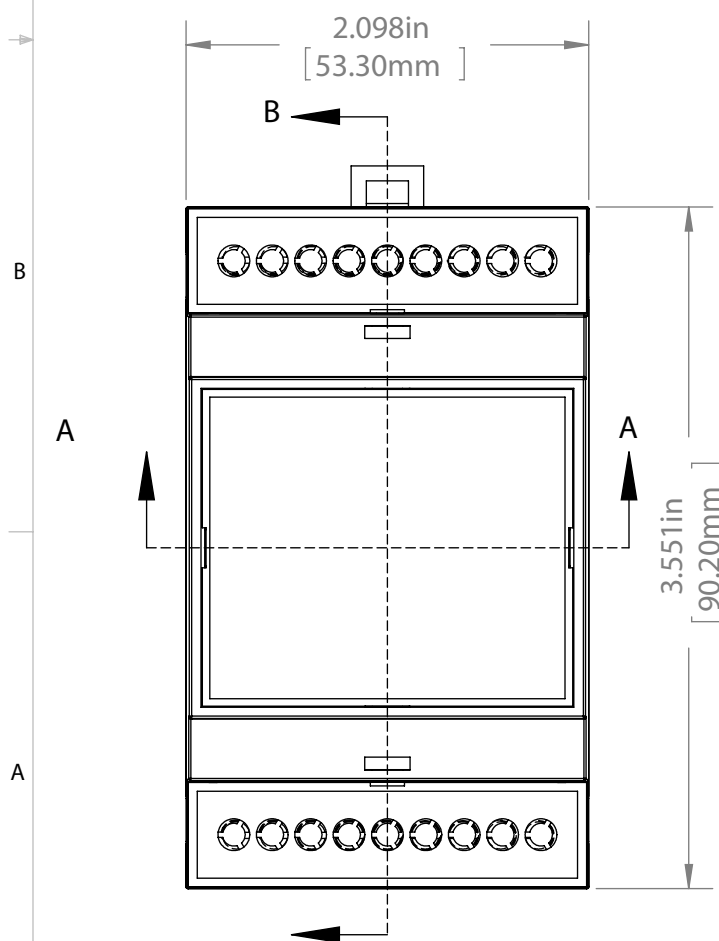
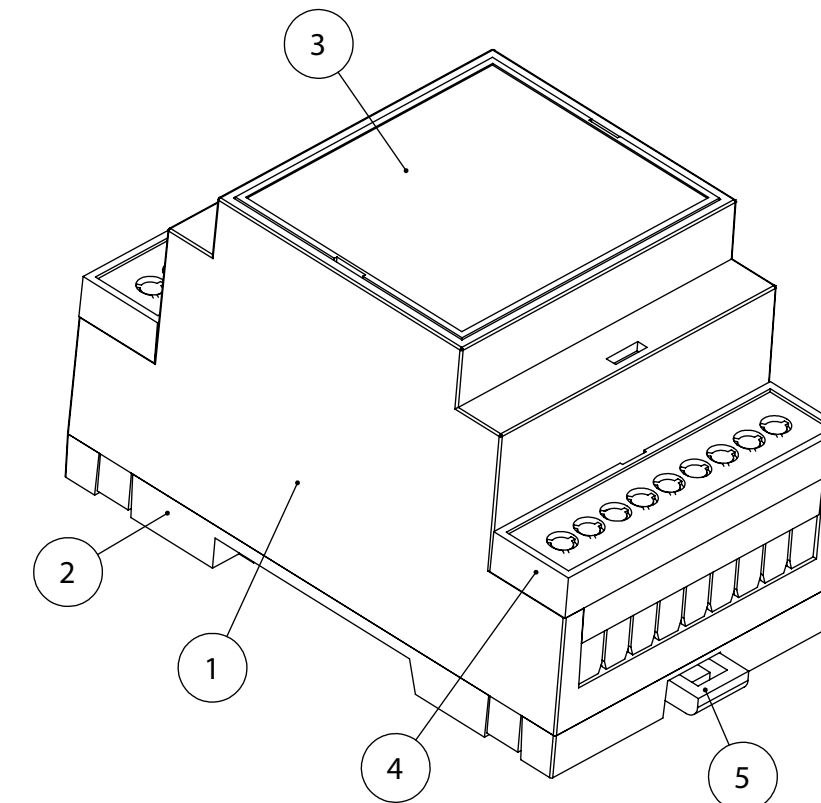
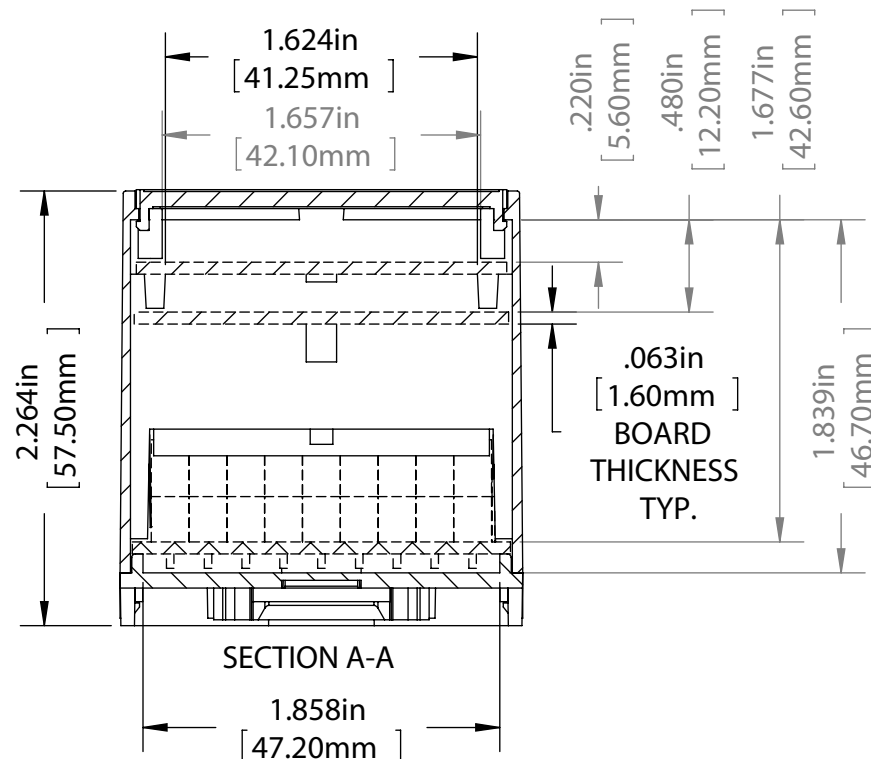


THE INFORMATION CONTAINED IN THIS DRAWING IS THE SOLE PROPERTY OF BUD INDUSTRIES INC. ANY REPRODUCTION IN PART OR WHOLE WITHOUT THE WRITTEN PERMISSION OF BUD INDUSTRIES INC. IS PROHIBITED.

ITEM NO.	DESCRIPTION	MATERIAL	COLOR	QTY.
1	BODY	PC/ABS UL94V-0	GRAY	1
2	BASE	PC/ABS UL94V-0	GRAY	1
3	COVER	PC/ABS UL94V-0	GRAY	1
4	GUARD	PC/ABS UL94V-0	GRAY	2
5	MOUNTING CLIP	NYLON 66	DARK GRAY	1

DWG. NO.	DMB-4771
ISSUE	REVISIONS
(A)	REVISIONS 12-6-10 DAB

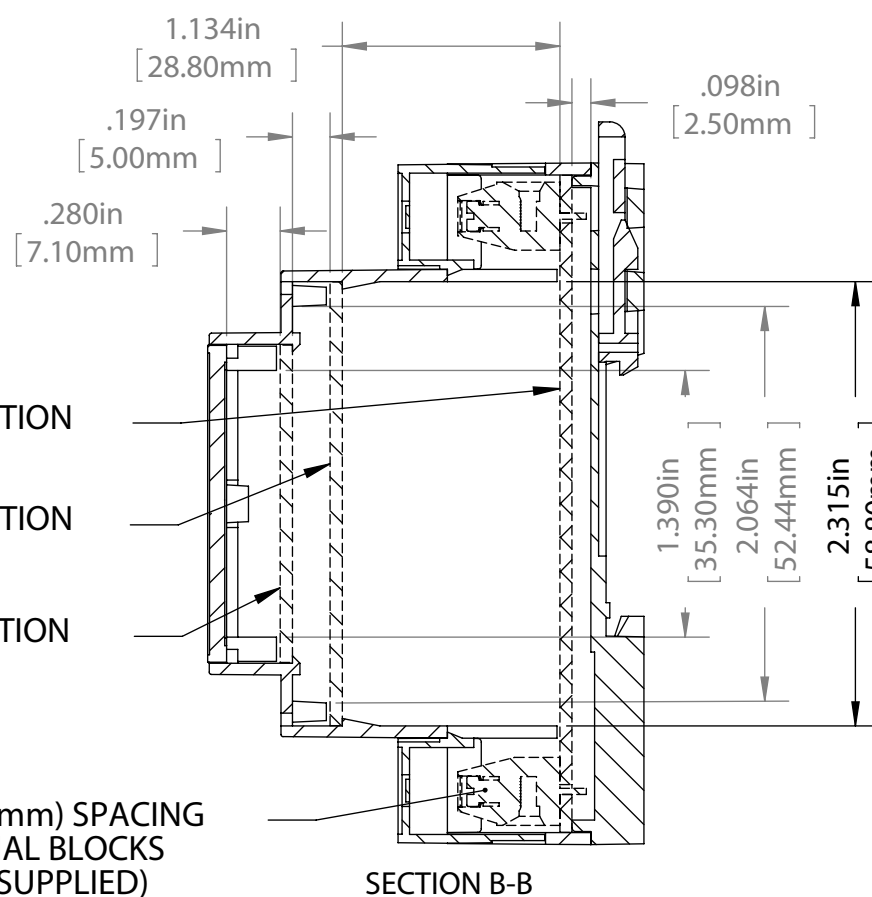


CIRCUIT BOARD "A" POSITION
(NOT SUPPLIED)

CIRCUIT BOARD "B" POSITION
(NOT SUPPLIED)

CIRCUIT BOARD "C" POSITION
(NOT SUPPLIED)

.200in. (5.08mm) SPACING
TERMINAL BLOCKS
(NOT SUPPLIED)

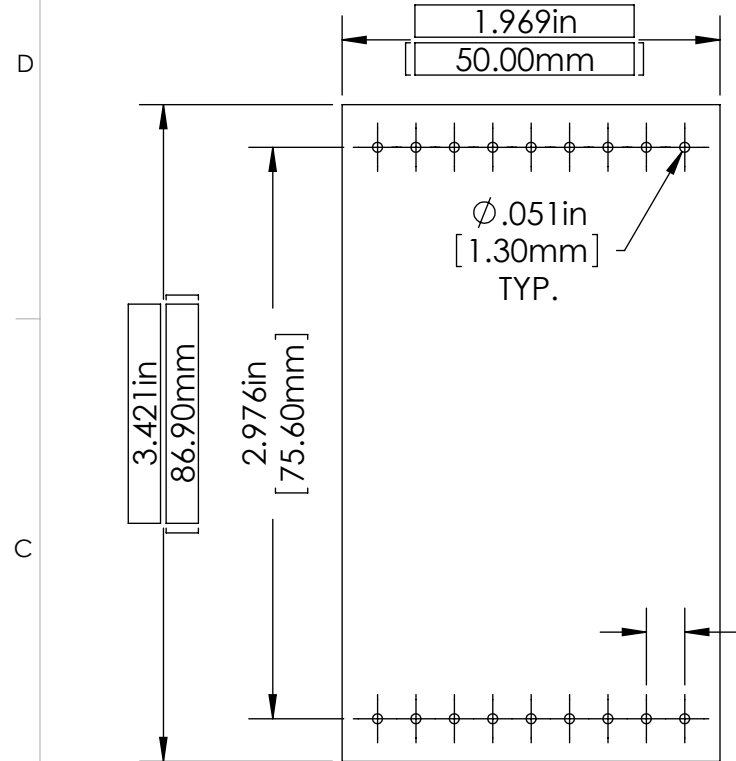


OPTIONAL ACCESSORIES / REPLACEMENT PARTS	PART NUMBER
CLEAR POLYCARBONATE COVER	DMB-4771-CC
INFRA-RED COVER	DMB-4771-IRC
TERMINAL GUARD (PACK OF 2)	DMB-4761-TG
MOUNTING CLIP	DMB-4764-MC

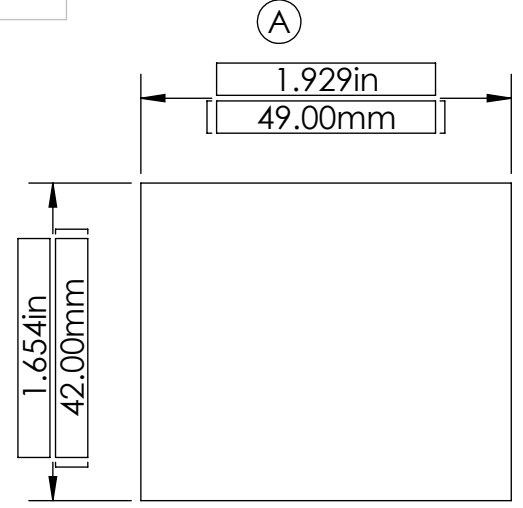
TOLERANCES:		PARTS LIST		BUD INDUSTRIES INC.
+/- .005 BETWEEN HOLE CENTERS	+/- .015 FROM SHEARED EDGE	CAD GENERATED DRAWING, DO NOT MANUALLY UPDATE		
+/- .032 FROM A BENT SURFACE	+/- .062 BETWEEN ASSEMBLED SURFACES	APPROVALS	DATE	
UNLESS OTHERWISE SPECIFIED		DH	7/26/10	
MATERIAL	AS NOTED	CHECKED		
FINISH	AS NOTED	APPROVED		
DO NOT SCALE DRAWING				
SIZE	DWG. NO.	SCALE	CAD FILE:	REV.
B	DMB-4771	1	1	
				SHEET 1 OF 2

THE INFORMATION CONTAINED IN THIS DRAWING IS THE SOLE PROPERTY OF
 BUD INDUSTRIES INC. ANY REPRODUCTION IN PART OR WHOLE WITHOUT
 THE WRITTEN PERMISSION OF BUD INDUSTRIES INC. IS PROHIBITED.

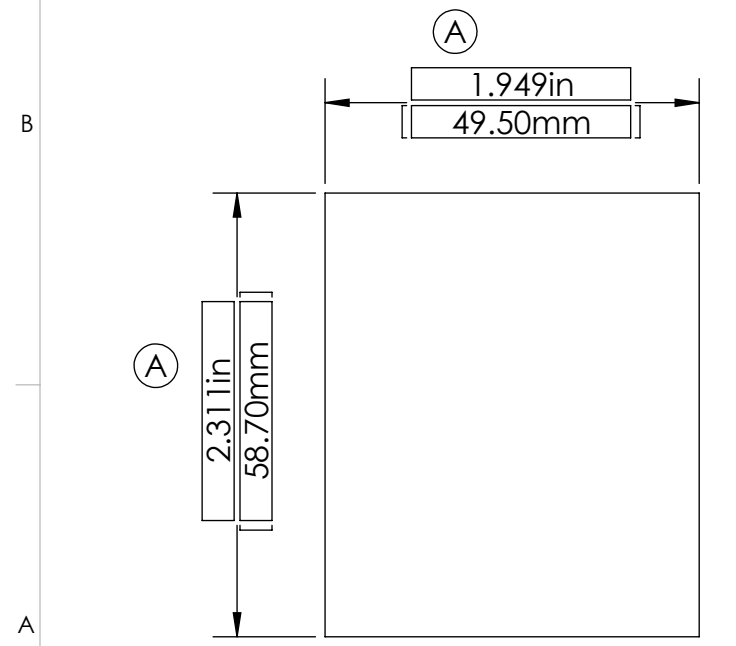
DWG. NO.		DMB-4771	
ISSUE	REVISIONS		
(A)	SEE SHEET 1		



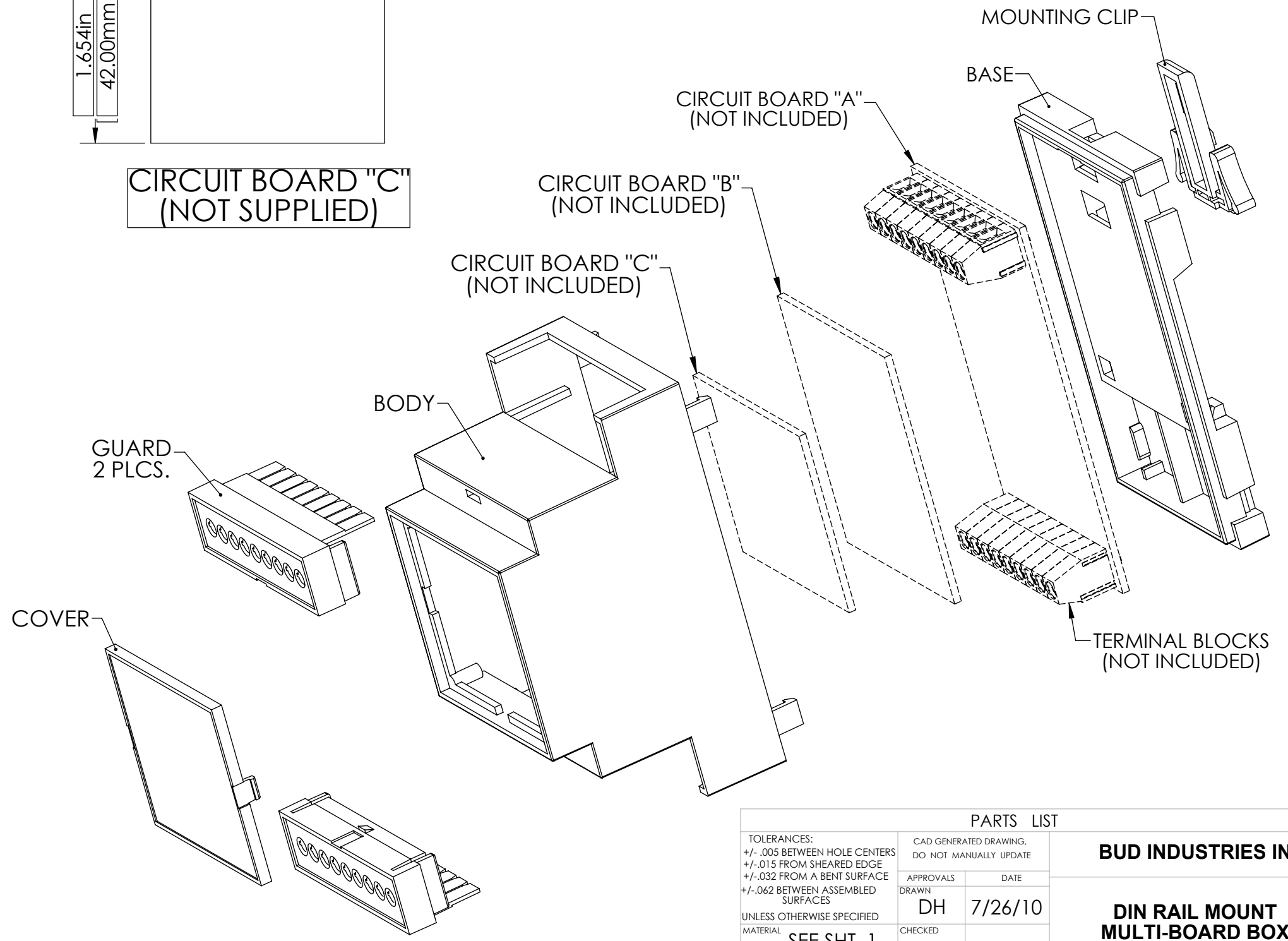
CIRCUIT BOARD "A"
(NOT SUPPLIED)



CIRCUIT BOARD "C"
(NOT SUPPLIED)



CIRCUIT BOARD "B"
(NOT SUPPLIED)



TOLERANCES:		PARTS LIST		BUD INDUSTRIES INC.
+/- .005 BETWEEN HOLE CENTERS	CAD GENERATED DRAWING, DO NOT MANUALLY UPDATE	APPROVALS	DATE	
+/- .015 FROM SHEARED EDGE		DH	7/26/10	
+/- .032 FROM A BENT SURFACE		CHECKED		
+/- .062 BETWEEN ASSEMBLED SURFACES		APPROVED		
UNLESS OTHERWISE SPECIFIED				
MATERIAL	SEE SHT. 1			SIZE DWG. NO. DMB-4771
FINISH	SEE SHT. 1			SCALE CAD FILE: SHEET 2 OF 2
DO NOT SCALE DRAWING				

Mouser Electronics

Authorized Distributor

Click to View Pricing, Inventory, Delivery & Lifecycle Information:

[Bud Industries:](#)

[DMB-4771-TGS](#)