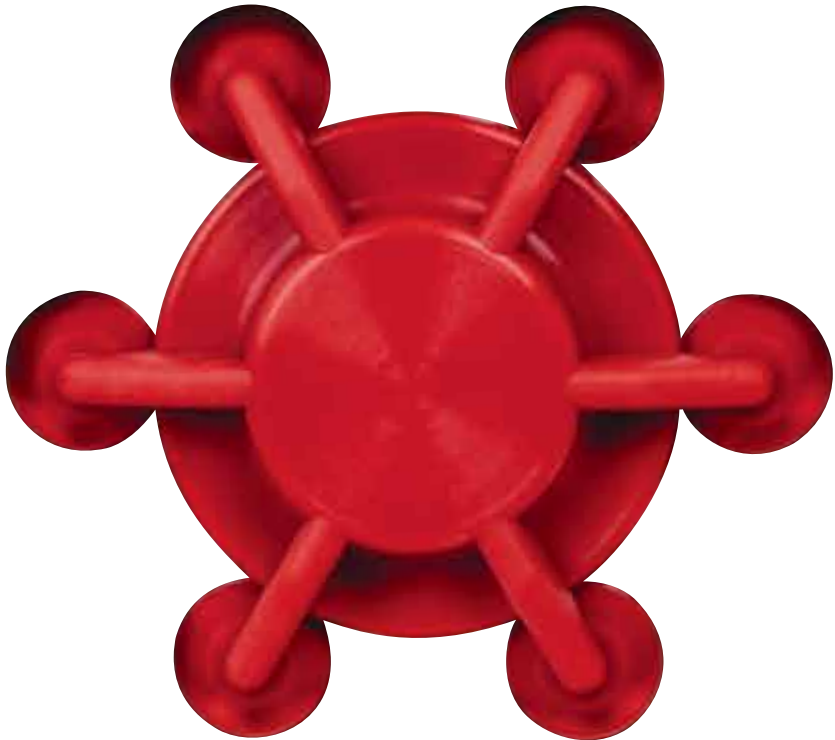




Masking Protection Solutions



6,000+ masking parts in-stock and ready to ship



caps



plugs



tapes



die-cuts



hooks & racks

company overview

For more than 65 years, Caplugs has been the leader in product protection with innovative parts that solve industrywide challenges. Comprehensive manufacturing capabilities, processes and a wide range of materials allow us to meet your needs.

Over 400 million caps, plugs, packaging, tubing and masking products are always in-stock and ready to ship. While a dedicated team of in-house engineers is also available for complete custom designs. With a global manufacturing and sales presence and responsive customer service representatives, Caplugs brings solutions you can rely on.

shercon® masking product line

As the experts in precision masking solutions, we can offer the most comprehensive range of standard masking devices and in-house custom capabilities with the full Shercon masking line. Our broad range of parts securely protects your product during any finishing process including painting, powder coating, anodizing, plating and e-coating.









SEARCH PRODUCTS BY TYPE

■ caps	16-35
■ plugs.....	36-67
■ miscellaneous masking & kits	66-73
■ masking tapes	74-79
■ masking die-cuts.....	80-95
■ hooks, bars and racks	96-103

PAGE GUIDE

selector guide	6-7
why caplugs	8
experience and expertise	9
quality certifications	10
production capabilities	11
custom engineered solutions	12-13
rubber molded components.....	14-15
product offering.....	16-103
quick fit selector guide for standard masking plugs	36-37
quick find selector guide for tapes & die-cuts	74-75
custom die-cuts.....	80-81
ordering & samples	104-105
material selection by temperature	106
material data	107
terms & conditions	108
index	110


caps

 HCR SERIES Flex500® high-temperature caps Pages 20-21	 HEZ & EZ SERIES Flex500® flexible caps with pull-tab Pages 26-27	 HFC & VFC SERIES Flex500® flexible caps with flat pull-tab Pages 28-29	 HJS SERIES Flex500® flexible tear-tab caps Pages 20-21	 HVC & VC SERIES Flex500® external round caps Pages 22-25	 PSC SERIES Straight paper caps Pages 34-35	 PTC SERIES Tapered paper caps Pages 34-35	 RMCP-SH SERIES Rubber masking cap/plugs Pages 32-33
 SC-SH SERIES Silicone caps Pages 16-17	 SFC SERIES Silicone flange caps Pages 34-35	 SFP-SH SERIES Silicone flanged cap/plugs Pages 60-61	 SRC-SH SERIES Silicone grounding caps Pages 18-19	 TS SERIES Tapered silicone cap/plug Pages 30-31	 UVCP-SH SERIES Silicone venting cap/plug Pages 32-33	 WC-SH SERIES Silicone washer caps Pages 18-19	 ZC-SH SERIES Silicone zerk caps Pages 18-19

plugs

 BN-SH SERIES Black neoprene plugs Pages 40-41	 DFPP-SH SERIES Dual-flanged pull plugs Pages 50-51	 FP-SH SERIES Rubber flangeless plugs Pages 56-57	 GN-SH SERIES Green neoprene plugs Pages 40-41	 HETV & ETV SERIES Flex500® external thread plugs Pages 62-63	 HFPP-SH SERIES Hollow-flanged pull plugs Pages 50-51	 HTP & TP SERIES Flex500® tapered vinyl plugs Pages 62-63	 HUP-SH SERIES Hollow silicone plugs Pages 38-39
 HUPH-SH SERIES Hollow silicone plugs with handles Pages 46-47	 HVTP & VTP SERIES Flex500® tapered vinyl plugs Pages 62-63	 HWP-SH SERIES Hollow washer plugs Pages 42-43	 MPP-SH SERIES Multi-purpose plugs Pages 42-43	 MSP-SH SERIES Extra long silicone plugs Pages 42-43	 MT-SH SERIES Mouse-Tail pull plugs Pages 64-65	 PP-SH SERIES EPDM pull plugs Pages 48-49	 PTM-SH SERIES Pipe thread silicone mask caps/plugs Pages 54-55
 PTP SERIES Tapered paper plugs Pages 64-65	 RCK-SH SERIES Regular cork plugs Pages 44-45	 RMCP-SH SERIES Rubber masking cap/plugs Pages 32-33	 SCK-SH SERIES Short cork plugs Pages 44-45	 SFP-SH SERIES Silicone-flanged cap/plugs Pages 60-61	 SHPP-SH SERIES Silicone hollow pull plugs Pages 50-51	 SP-SH SERIES Silicone step plugs Pages 60-61	 SPP-SH SERIES Silicone pull plugs Pages 48-49
 STPS-SH SERIES Self-threading plugs Pages 66-67	 SWP SERIES Silicone washer plugs Pages 58-59	 TS SERIES Tapered silicone cap/plugs Pages 30-31	 UDPP-SH SERIES Silicone dual-purpose plugs Pages 58-59	 UFP-SH SERIES Silicone flangeless plugs Pages 56-57	 UHCP-SH SERIES Silicone hollow cone plugs Pages 64-65	 UMFP-SH SERIES Silicone multi-flanged plugs Pages 60-61	 UP-SH SERIES Silicone plugs Pages 38-39
 UPH-SH SERIES Silicone plugs with handles Pages 46-47	 UTM-SH SERIES Silicone thread masks Pages 54-55	 UVCP-SH SERIES Silicone venting cap/plugs Pages 32-33	 UW-SH SERIES Silicone washer plugs Pages 58-59	 UWM-SH SERIES Silicone washer masks Pages 52-53	 UWPP-SH SERIES Silicone washer pull plugs Pages 52-53	 UWPPLS-SH SERIES Silicone washer pull plugs - long series Pages 52-53	






miscellaneous masking & kits

 CSC SERIES Clear stretchable covers Pages 70-71	 EP58-SH SERIES Edge protectors Pages 70-71	 MDT-SH SERIES Multi-diameter silicone tubing Pages 66-67	 MKITS HVC SERIES Flex500® vinyl masking kit Pages 72-73	 MKITS VC SERIES Standard vinyl masking kit Pages 72-73	 SK-SH SERIES Masking starter kits Pages 72-73	 ST-SH SERIES Silicone tubing Pages 68-69	 UC-SH SERIES Silicone cord Pages 68-69
---	--	--	---	--	---	--	--


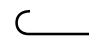

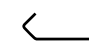







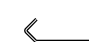





masking tapes

 US-SH SERIES Silicone sheeting Pages 66-67	 UST-SH SERIES Silicone star tubing Pages 70-71	 22-SH SERIES Amber polyimide masking tape Page 76	 KD11-SH SERIES Off-white crepe paper masking tape Page 77	 PC11-SH SERIES Red polyester masking tape Page 77	 PC198-SH SERIES White glass cloth masking tape Page 76	 PC21-SH SERIES Green polyester masking tape Page 77	 PC25-SH SERIES Green heavy-duty polyester masking tape Page 76
--	--	---	---	---	--	---	--

masking die-cuts

 PC30-SH SERIES Yellow polyester masking tape Page 77	 PC90-SH SERIES Blue polyester masking tape Page 77	 BT100-SH SERIES Rubber blasting tape Pages 78-79	 SRT-SH SERIES Silicone tape Pages 78-79	 AD-SH SERIES Tan vinyl masking discs Pages 89, 91	 AF-SH SERIES Silver aluminum foil masking discs Pages 88, 90	 AIR-SH Series Crepe paper or aluminum masks for aircraft windows Pages 90-91	 AR-SH & CD-SH SERIES Identification arrows and dots Pages 94-95
 EV-SH SERIES White vinyl masking discs Pages 89, 91	 EZ-SH SERIES Off-white crepe paper masking discs Pages 83, 85, 87	 GC-SH SERIES White glass cloth masking discs Pages 83, 85, 87	 KD-SH SERIES Off-white crepe paper masking discs Pages 83, 85, 87	 KP-SH SERIES Amber polyimide masking discs Pages 83, 85, 87	 LF-SH SERIES Silver lead foil masking discs Pages 88, 90	 PB-SH SERIES Blue polyester masking discs Pages 82, 84, 86	
 PC-SH SERIES Green polyester masking discs Pages 82, 84, 86	 PC-SH SERIES RECTANGLE PC21 green polyester die-cut tape rectangles Pages 92-93	 PC-SH SERIES SQUARE PC21 green polyester die-cut tape squares Pages 92-93	 PCD-SH SERIES PC21 green polyester die-cut tape donuts Pages 92-93	 PR-SH SERIES Red polyester masking discs Pages 82, 84, 86	 TF-SH SERIES Grey Teflon® masking discs Pages 88, 90	 WBD-SH SERIES Wishbone™ Discs Pages 94-95	

hooks, bars and racks

 BCB-SH SERIES Modular rack bottom cross bar Page 102	 C-SH SERIES Designed for powder and e-coating processes Pages 96-97	 CB-SH SERIES Modular rack rectangular cross bar Page 102	 CV-SH SERIES Designed for powder and e-coating processes Pages 96-97	 ROD-SH SERIES Rod and clip set for modular rack Page 102	 S-SH SERIES Designed for powder and e-coating processes Pages 96-97	 SB-SH SERIES Smart Bar™ Pages 100-101
 SHVA-SH SERIES Designed for liquid and powder coating processes Pages 98-99	 SHVB-SH SERIES Designed for liquid and powder coating processes Pages 98-99	 SHVC-SH SERIES Designed for liquid and powder coating processes Pages 98-99	 SPLINE-SH SERIES Modular rack part Page 102	 SQV-SH SERIES Designed for powder and e-coating processes Pages 98-99	 TCB-SH SERIES Top cross bar for modular rack Page 102	 TH-SH SERIES "T" hook for modular rack Page 102
 UWH-SH SERIES Spin hooks Page 103	 V-SH SERIES Designed for powder and e-coating processes Pages 96-97	 VB-SH SERIES Smart Hooks™ lock into position Pages 100-101				

why caplugs?

As the industry leader, we are uniquely positioned to provide the best masking solutions. We don't just sell parts - we're here to ensure your needs are met with the **right part** that protects your product. Whether it's through one of our standard parts, or by working with you one-on-one to design a custom part, we are committed to **your unique product needs**.

Masking Solutions Made Easy

Most Comprehensive Products and Capabilities

- Most standard parts in-stock and ready to ship
- Broadest range of product styles and sizes
- Most extensive in-house custom capabilities
- Stringent quality management system to ensure the highest quality
- Proven supplier across all industries and applications
- THE industry experts

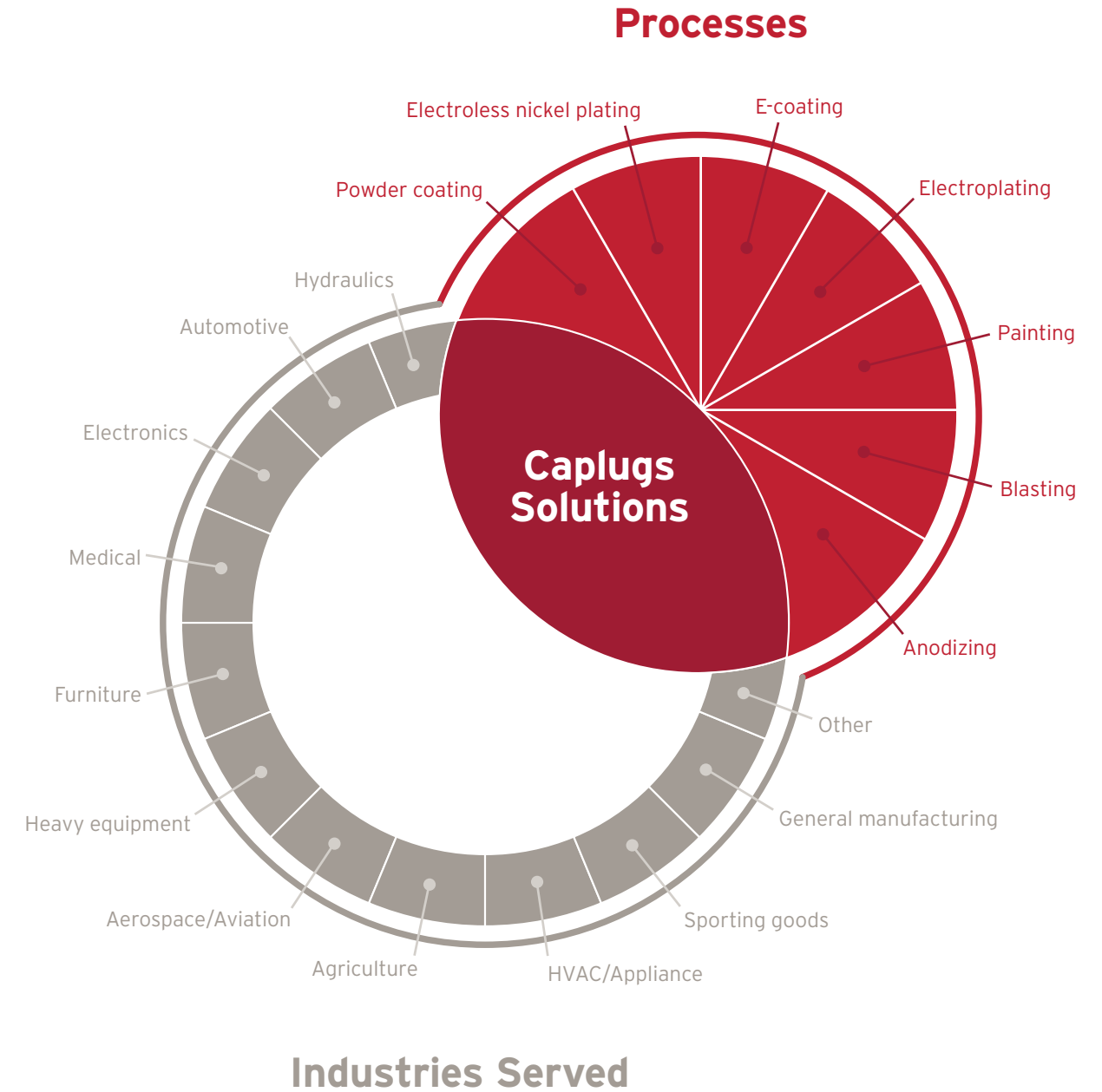


Unmatched Service and Support

- Responsiveness to match your fast-paced business needs
- Over 100 sales representatives and direct sales for local support
- 20+ customer service representatives
- Expert technical representatives
- Global coverage, localized service
- Comprehensive web site with free samples and easy ordering

experience and expertise

Caplugs has experience solving challenges across a wide range of industries and applications, including **masking solutions** used in harsh environments **during an array of finishing processes**.



Caplugs has a comprehensive **quality management** system and the latest technologies in testing and measurement equipment to provide consistent quality.

Critical processes are followed to ensure a **high level of accuracy, consistency, repeatability** and record retention is achieved.

Caplugs ensures a **superior and consistent** product is delivered with the documentation our customers need.

Caplugs comprehensive quality management system includes:

- Formal internal auditing process
- Six Sigma method
- FMEA
- Gage R & R
- Dimensional report
- Risk assessments
- Statistical process controls
- Measurement equipment:
 - CMM
 - Vision System
 - Beta LaserMike
 - CNC RAM Optical Instrumentation
 - Mark-10 Digital Force Fixture up to 50 lbs.



Quality Certifications

Caplugs' stringent quality management systems ensure the necessary process controls exist to provide our customers with consistent, quality products.

• Our quality systems in the New York and Pennsylvania facilities are certified to ISO 9001 & ISO/TS 16949

• Our quality systems in our California and Texas facilities are certified to ISO 9001


• Our quality systems in Shanghai and Hangzhou, China are certified to ISO 9001 & ISO/TS 16949

• Buffalo, NY ISO 13485 certification applies to all clean room medical products

• Our environmental systems in the New York, Pennsylvania and California facilities are certified to ISO 14001


ISO 9001
ISO/TS 16949
ISO 14001
ISO 13485
REGISTERED

With our multiple production processes, we can provide a solution that best meets your needs. Caplugs boasts the largest inventory available, with over 15,000 standard parts and 6,000+ different, masking-specific parts in-stock and ready to ship.



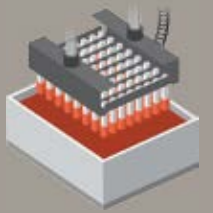
Injection Molding

- 9 to 700 ton presses
- Quick-change procedures
- Interchangeable molding system



Compression Molding

- 100 to 1,200 ton presses
- Prototypes in 15 days
- Capable of rubber-to-metal bonding




Vinyl Dip-molding

- Variety of shapes, sizes and colors
- Inexpensive tooling with quick turnaround



Die-cutting

- Any shape and size
- Choose from a variety of materials
- Prototypes in 24 hours



Extrusion

- Tubing, netting, edge liners and other profiles
- Cut to desired length in-line or run in spools

Part Modification
We can also alter existing parts through secondary operation processes including pad printing, slicing, cutting or hole punching



Materials

Our team of knowledgeable design engineers will help you select the right materials from many available standard options to suit your particular application.

Compound mixing and development

- In-house chemists can mix materials to achieve desired performance characteristics
- Custom compounds are also available to meet specific requirements



A resilient, reusable silicone material recommended for temperatures up to 600°F (315°C)



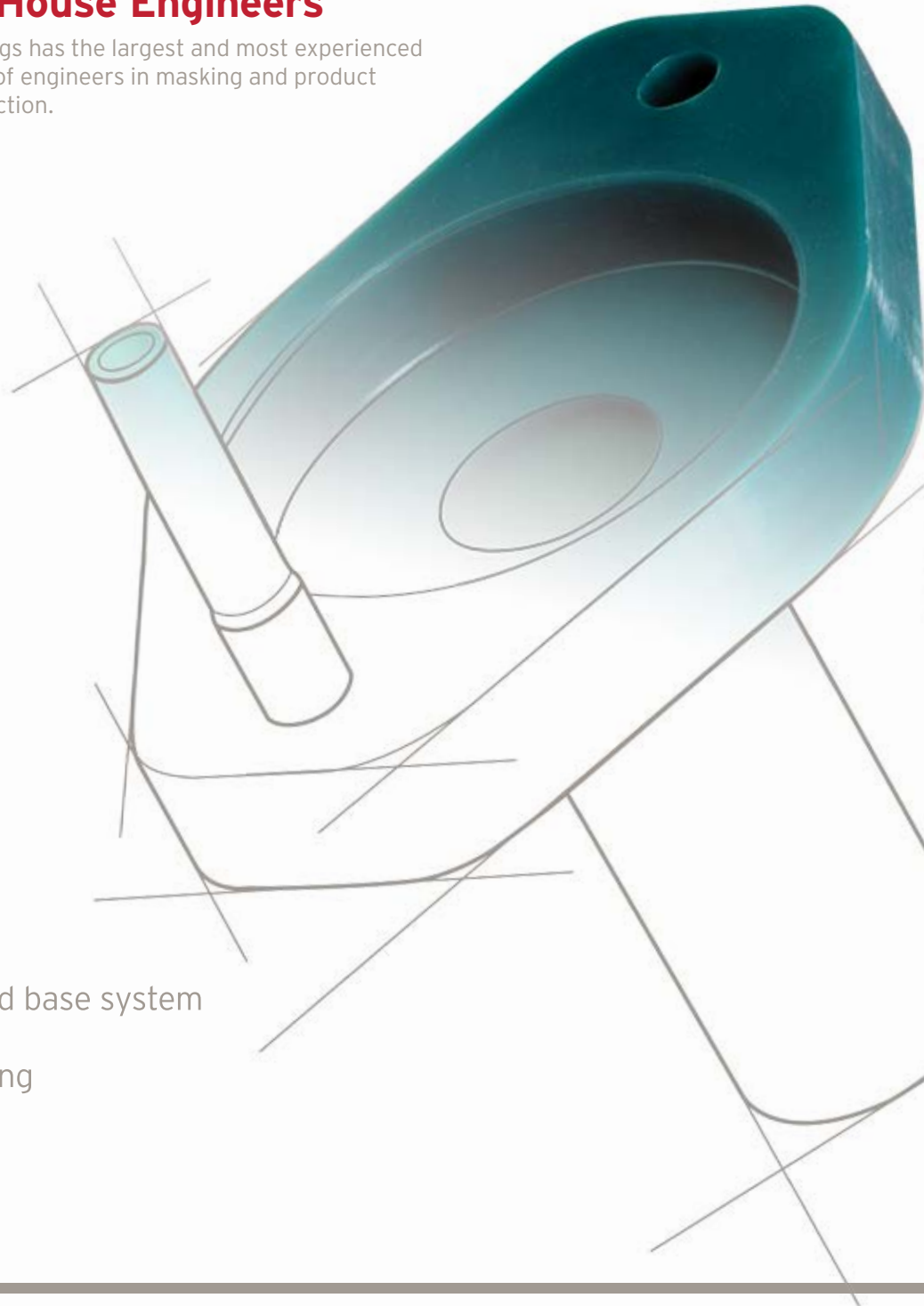
An economical vinyl material ideal for one-time use recommended for temperatures up to 500°F (260°C)

If one of our standard parts does not meet your exact needs, allow our team of in-house engineers to design a **custom part for you**. We will take you through every step of the process, **from design and prototyping to tooling and production**.



In-House Engineers

Caplugs has the largest and most experienced staff of engineers in masking and product protection.



Full in-house capabilities:

15 SOLIDWORKS® stations

3D modeling

Rapid prototyping

Advanced tool room

3,000 interchangeable mold base system

Precision custom die-cutting

With our unique expertise, the latest equipment and technology, an in-house tool room and a **wide array of material options**, your solution can be produced **quickly and economically**.



Request a Quote

Our team is ready to develop your perfect solution. Request a quote in four easy steps:

- 1** Fill out the custom quote form located on our web site, www.caplugs.com, email us at sales@caplugs.com or call us at **1.888.caplugs**.
- 2** A sales engineer will contact you to discuss **details and options**.
- 3** Receive and approve **prototypes**, 2D models or pre-production samples.
- 4** **Production** process begins.

Why choose custom?

Improves worker productivity



Improves production line speed



Creates better finishing quality



Reduces risk of device failure



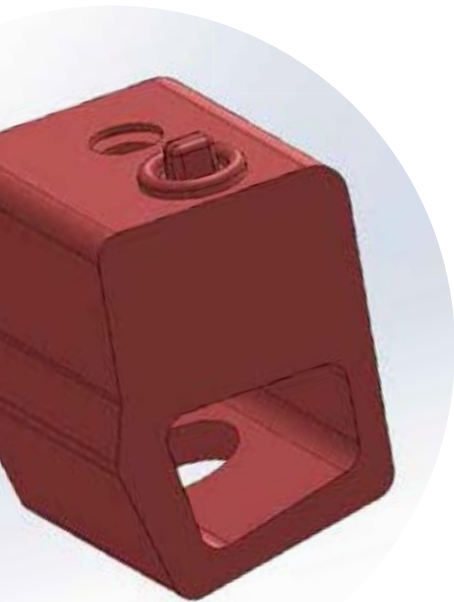
Eliminates manual steps from the finishing process



Reusable masks can lower costs and satisfy green objectives



With a **broad range** of rubber molding capabilities and a full staff of experienced **engineering experts**, Caplugs can meet your **exacting requirements** from part design to tooling to full volume production.



Engineered To Your Specifications

Our knowledgeable engineers will work with you one-on-one to design a component fit for your specific applications and determine the best process to meet your needs. Our in-house rubber molding capabilities include:



Compression molding



Transfer molding



Injection molding

In addition to a close collaboration with engineers, innovative design software is utilized to create an efficient and effective solution using 3D models. With over 70 presses between 100 and 500 tons and one 1,200 ton press, we have the advanced resources to deliver projects quickly, accurately and economically.

Custom Molded Masks

Caplugs can help you solve your masking challenge - no matter how big or small. Your dedicated project team will work with you from design and production to fulfillment - quickly and cost-effectively.

Paintball gun mask

Material: EPDM

Finishing process: Powder coating

Quantity: 2,500



Air valve mask

Material: Ultrabake™

Finishing process: Anodizing

Quantity: 650



Sprocket pulley mask

Material: Ultrabake™

Finishing process: Chrome plating

Quantity: 300



10-stud axle mask

Material: EPDM

Finishing process: Wet paint

Quantity: 5,000



Compound Mixing

- Ingredients are weighed and mixed in Banbury-style tilt mixers
- Compounds are rested
- Curing agents are added
- We perform MDR, SG, hardness, tensile and elongation tests on every batch
- Additional tests are performed based on customer need and our internal control plan; heat aging, compression set, ozone resistance, low temperature brittleness, staining, etc.
- Caplugs can mix the right compound for your unique application



SC-SH Series

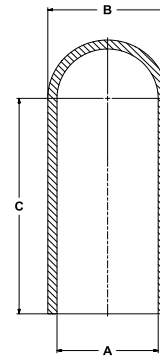
Silicone Caps

SC-SH Series Ultrabake™ Silicone Caps are designed to mask plain and threaded studs, tube ends and even slotted holes; they will mask off the stud and allow finishing up to it. Recommended for powder coating, e-coating, plating and anodizing.

- Recommended temperatures up to 600°F (315°C)
- Rugged and durable
- Can stretch to mask larger dimensions
- Reusable

Material: Silicone **Color:** See chart for color coding

Note: Caps can also be produced in EPDM 350°F (177°C)



Silicone Caps SC-SH Series

Caplugs No.	Color	Dimensions								Packaging Quantity Per Bag
		Fits Thread		A		B		C		
		Metric	UNC	In	mm	In	mm	In	mm	
SC37-0500	Clear			.037	.94	.100	2.54	.500	12.70	1000
SC62	Dark Blue			.062	1.57	.187	4.75	1.000	25.40	1000
SC70	Clear	M2	2-56	.070	1.78	.170	4.32	1.000	25.40	1000
SC93	Pink		3-48	.093	2.36	.195	4.95	.750	19.05	1000
SC93-0500	Dark Grey		3-48	.093	2.36	.195	4.95	.500	12.70	1000
SC93-1000	White		3-48	.093	2.36	.195	4.95	1.000	25.40	1000
SC100-0500	Dark Blue	M3	4-40	.100	2.54	.200	5.08	.500	12.70	1000
SC100	Light Green	M3	4-40	.100	2.54	.200	5.08	1.000	25.40	1000
SC109-0500	Yellow		5-40	.109	2.77	.215	5.46	.500	12.70	1000
SC109	Grey		5-40	.109	2.77	.215	5.46	.750	19.05	1000
SC109-1000	White		5-40	.109	2.77	.215	5.46	1.000	25.40	1000
SC125-0500	Light Blue		6-32	.125	3.18	.250	6.35	.500	12.70	1000
SC125	Black		6-32	.125	3.18	.250	6.35	1.000	25.40	1000
SC140-0500	Clear			.140	3.56	.265	6.73	.500	12.70	1000
SC140	White			.140	3.56	.265	6.73	1.000	25.40	1000
SC148-0500	Dark Blue	M4		.148	3.76	.240	6.10	.500	12.70	1000
SC148-0750	Dark Grey	M4		.148	3.76	.240	6.10	.750	19.05	1000
SC148	Pink	M4		.148	3.76	.240	6.10	1.000	25.40	1000
SC156-0500	Light Green		8-32	.156	3.96	.280	7.11	.500	12.70	1000
SC156	Yellow		8-32	.156	3.96	.280	7.11	1.000	25.40	1000
SC156-1250	Clear		8-32	.156	3.96	.280	7.11	1.250	31.75	1000
SC164-1000	Black			.164	4.17	.292	7.42	1.000	25.40	1000
SC172-0500	Grey		10-24	.172	4.37	.300	7.62	.500	12.70	1000
SC172	Light Blue		10-24	.172	4.37	.300	7.62	1.000	25.40	1000
SC172-1500	Clear		10-24	.172	4.37	.300	7.62	1.500	38.10	1000
SC180	Black	M5		.180	4.57	.280	7.11	1.000	25.40	1000
SC187-0500	White		12-24	.187	4.75	.315	8.00	.500	12.70	1000
SC187-0750	Light Blue		12-24	.187	4.75	.315	8.00	.750	19.05	1000
SC187	Clear		12-24	.187	4.75	.315	8.00	1.000	25.40	1000
SC218	Yellow			.218	5.54	.338	8.59	1.000	25.40	500
SC223-0500	Dark Blue	M6		.223	5.66	.345	8.76	.500	12.70	500
SC223-1000	Black	M6		.223	5.66	.345	8.76	1.000	25.40	500
SC223	Pink	M6		.223	5.66	.345	8.76	1.500	38.10	500
SC234-0500	White		1/4-20	.234	5.94	.360	9.14	.500	12.70	500
SC234	Light Green		1/4-20	.234	5.94	.360	9.14	1.000	25.40	500
SC234-1500	Yellow		1/4-20	.234	5.94	.360	9.14	1.500	38.10	500
SC250-0500	Clear			.250	6.34	.380	9.65	.500	12.70	500
SC250	Grey			.250	6.35	.380	9.65	1.000	25.40	500

Caplugs No.	Color	Dimensions								Packaging Quantity Per Bag
		Fits Thread		A		B		C		
		Metric	UNC	In	mm	In	mm	In	mm	
SC281-0500	Yellow		5/16 - 18	.281	7.14	.400	10.16	.500	12.70	500
SC281	Light Blue		5/16 - 18	.281	7.14	.400	10.16	1.000	25.40	500
SC295-0500	Black	M8		.295	7.49	.420	10.67	.500	12.70	500
SC295-1000	Light Green	M8		.295	7.49	.420	10.67	1.000	25.40	500
SC295	Clear	M8		.295	7.49	.420	10.67	1.500	38.10	500
SC312	White			.312	7.92	.440	11.18	1.000	25.40	500
SC312-1500	Pink			.312	7.92	.440	11.18	1.500	38.10	500
SC340	Black			.340	8.64	.460	11.68	1.000	25.40	500
SC355	Light Green		3/8 - 16	.355	9.02	.485	12.32	1.500	38.10	500
SC375-0500	Pink	M10		.375	9.53	.505	12.83	.500	12.70	500
SC375-0750	Dark Blue	M10		.375	9.53	.505	12.83	.750	19.05	500
SC375	Yellow	M10		.375	9.53	.505	12.83	1.000	25.40	500
SC375-1500	Grey			.375	9.53	.505	12.83	1.500	38.10	500
SC406	Light Blue		7/16 - 14	.406	10.31	.531	13.49	1.000	25.40	500
SC437	Black			.437	11.10	.565	14.35	1.000	25.40	500
SC456-1000	Pink	M12		.456	11.58	.581	14.76	1.000	25.40	500
SC456	Clear	M12		.456	11.58	.581	14.76	1.500	38.10	500
SC468	White			.468	11.89	.593	15.06	1.000	25.40	500
SC480-1000	Light Grey		1/2 - 13	.480	12.19	.605	15.37	1.000	25.40	500
SC480	Pink		1/2 - 13	.480	12.19	.605	15.37	1.500	38.10	500
SC500	Light Green			.500	12.70	.625	15.88	1.500	38.10	500
SC535	Yellow	M14		.535	13.59	.635	16.13	1.500	38.10	250
SC535-3000	Grey	M14		.535	13.59	.635	16.13	3.000	76.20	250
SC562	Light Blue			.562	14.27	.686	17.42	1.500	38.10	250
SC600	Black	M16	5/8 - 11	.600	15.24	.724	18.39	1.500	38.10	250
SC625	Clear			.625	15.88	.750	19.05	1.500	38.10	250
SC625-2500	White			.625	15.88	.750	19.05	2.500	63.50	250
SC687	Pink			.687	17.45	.812	20.62	1.500	38.10	250
SC730	Light Green	M19		.730	18.54	.855	21.72	1.500	38.10	250
SC750	Yellow			.750	19.05	.875	22.23	1.500	38.10	250
SC750-3500	Grey			.750	19.05	.875	22.23	3.500	88.90	250
SC780	Light Blue			.780	19.81	.905	22.99	1.500	38.10	250
SC812	Black			.812	20.62	.937	23.80	1.500	38.10	250
SC875	Clear			.875	20.62	1.000	23.80	1.500	38.10	250
SC937	White			.937	23.80	1.062	26.97	1.500	38.10	250
SC970	Pink	M25		.970	24.64	1.095	27.81	1.500	38.10	250
SC1000	Light Green			1.000	25.40	1.125	28.58	1.500	38.10	250
SC1000-2000	Yellow			1.000	25.40	1.125	28.58	2.000	50.80	250
SC1062	Grey			1.062	26.97	1.187	30.15	2.000	50.80	100
SC1125	Light Blue			1.125	28.58	1.250	31.75	1.500	38.10	100
SC1187	Black			1.187	30.15	1.312	33.32	1.500	38.10	100
SC1250	Clear			1.250	31.75	1.382	35.10	1.500	38.10	100
SC1350	White			1.350	34.29	1.484	37.69	1.750	44.45	100
SC1500	Pink			1.500	38.10	1.625	41.28	1.000	25.40	100
SC1500-1750	Light Green			1.500	38.10	1.625	41.28	1.750	44.45	100
SC1750	Yellow			1.750	44.45	1.875	47.63	2.000	50.80	100
SC1875	Grey			1.875	47.63	2.000	50.80	2.000	50.80	100
SC2000	Light Blue			2.000	50.80	2.125	53.98	2.000	50.80	100



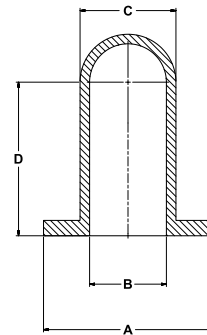
WC-SH Series

Silicone Washer Caps

WC-SH Series Ultrabake™ Silicone Washer Caps are designed to plug plain and threaded holes and studs; they will mask off the hole and leave a circular grounding or earthing area around it. Recommended for powder coating, e-coating, plating and anodizing.

- Recommended temperatures up to 600°F (315°C)
- Can be used to both cover studs and plug holes
- Washer design eliminates the need for two-stage masking
- Reusable

Material: Silicone **Color:** See chart for color coding
Optional Color: White



Silicone Washer Caps WC-SH Series

Caplugs No.	Color	Thread	Dimensions								Packaging Quantity Per Bag
			A		B		C		D		
			In	mm	In	mm	In	mm	In	mm	
WC125-0500	Clear		.500	12.70	.125	3.18	.260	6.60	1.000	25.40	500
WC156-0500	Clear		.500	12.70	.156	3.96	.320	8.13	1.000	25.40	500
WC172-0500	Clear		.500	12.70	.172	4.37	.385	9.78	1.000	25.40	500
WC027-012	Light Green	M3	.472	12.00	.106	2.69	.244	6.20	1.000	25.40	500
WC037-012	Pink	M4	.472	12.00	.146	3.70	.264	6.70	1.000	25.40	500
WC046-015	Clear	M5	.591	15.00	.181	4.60	.323	8.20	1.000	25.40	500
WC056-015	Red	M6	.591	15.00	.220	5.59	.343	8.71	1.000	25.40	500
WC075-018	Black	M8	.709	18.00	.295	7.50	.421	10.70	1.000	25.40	250
WC095-018	Yellow	M10	.820	20.83	.374	9.50	.500	12.70	1.500	38.10	250
WC115-025	Clear	M12	.989	25.12	.453	11.50	.657	16.69	1.500	38.10	250
WC155-031	Purple	M16	1.220	31.00	.610	15.50	.815	20.70	1.500	38.10	250
WC195-038	Grey	M20	1.496	38.00	.768	19.50	.972	24.69	1.500	38.10	250



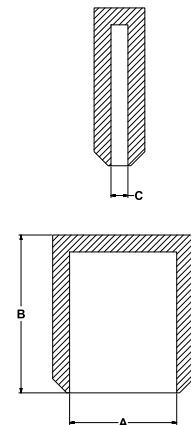
SRC-SH Series

Silicone Grounding Caps

SRC-SH Series Ultrabake™ Silicone Grounding Caps are ideal for grounding tabs. The larger sizes of this cap have a tapered opening, which allows the coating material to come close to the inside dimensions of the cap.

- Recommended temperatures up to 600°F (315°C)
- Can be used as a plug in small rectangular openings
- Reusable

Material: Silicone **Color:** See chart for color coding
Optional Color: White



Silicone Grounding Caps SRC-SH Series

Caplugs No.	Color	Dimensions						Packaging Quantity Per Bag
		A		B		C		
		In	mm	In	mm	In	mm	
SRC-1	Clear	.248	6.30	.394	10.01	.030	.76	1000
SRC-2	Rusty Red	.248	6.30	.456	11.58	.030	.76	1000
SRC-3	Clear	.470	11.94	.374	9.50	.040	1.02	1000
SRC-4	Yellow	.460	11.68	.280	7.11	.035	.89	1000
SRC-5	Pink	.490	12.45	.687	17.45	.047	1.19	1000

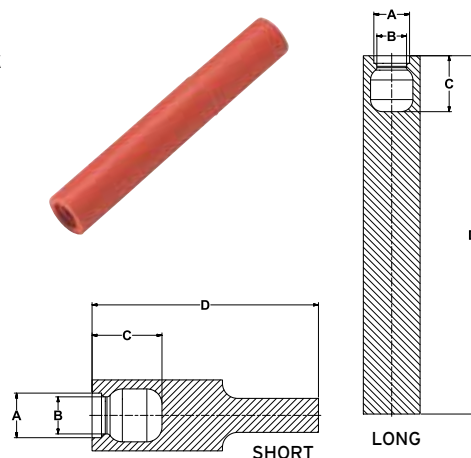
ZC-SH Series

Zerk Caps

ZC-SH Series Zerk Caps are designed specifically to mask Zerk fittings; they will mask off the fitting and allow finishing up to it. Available with either a short handle or with an extended handle, which eases installation and facilitates removal from hard-to-reach spaces. Recommended for powder coating, e-coating, plating and anodizing.

- Recommended temperatures up to 600°F (315°C) or 350°F (177°C)
- Reusable

Material: Silicone & Neoprene **Color:** See chart for color coding



Zerk Caps ZC-SH Series

Caplugs No.	Material	Color	Dimensions								Packaging Quantity Per Bag
			A		B		C		D		
			In	mm	In	mm	In	mm	In	mm	
ZC-S	Ultrabake™	Blue	.232	5.89	.193	4.90	.364	9.25	1.179	29.95	500
ZC-L	Ultrabake™	Rusty Red	.232	5.89	.193	4.90	.364	9.25	2.333	59.26	250
ZC-S-N	Neoprene	Green	.232	5.89	.193	4.90	.364	9.25	1.179	29.95	500
ZC-L-N	Neoprene	Green	.232	5.89	.193	4.90	.364	9.25	2.333	59.26	250



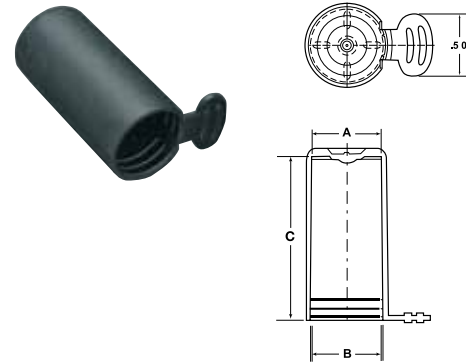
HJS Series

Flexible Tear-Tab Caps

HJS Series Caps are designed to be ergonomically friendly with a soft, flexible feel and a finger grip, making installation and removal of the cap quick and easy. Caps maintain their flexibility after masking processes giving you the option of removing after processing, or leaving on as shipping protection and allowing the end-user to remove it. Ideal for masking applications during painting, plating and powder coating operations.

- Can withstand temperatures up to 500°F (260°C)

Material: Flex500® **Color:** Black



Flexible Tear-Tab Caps HJS Series

Caplugs No.	Dimensions						Packaging	
	A		B		C		Carton Quantity	Mini Pak Quantity
	In	mm	In	mm	In	mm		
HJS-582L	.557	14.15	.604	15.34	1.330	33.78	3000	600
HJS-625L	.609	15.47	.601	15.27	1.240	31.50	4000	800



HCR Series

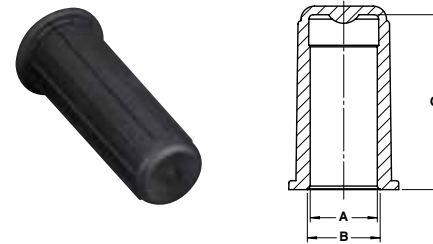
High-Temperature Caps

HCR Series Caps are temperature-resistant to protect up to and beyond 500°F. These sleeves were developed to mask and protect copper tubing during high-temperature masking processes. These caps were designed with exterior ribs to aid in removal and installation. A slightly flared open end allows them to be easily pushed onto the application.

- Can withstand temperatures up to 500°F (260°C)

Material: Flex500® **Color:** Black

Note: Additional sizes available - visit www.caplugs.com



High-Temperature Caps HCR Series

Caplugs No.	Dimensions						Packaging	
	A		B		C		Carton Quantity	Mini Pak Quantity
	In	mm	In	mm	In	mm		
HCR-320-20	.277	7.04	.320	8.13	1.28	32.51	5000	1000
HCR-450-32	.412	10.46	.450	11.43	2.03	51.56	2000	400
HCR-580-32	.540	13.72	.580	14.73	2.06	52.32	1000	200
HCR-510-18	.470	11.94	.510	12.95	1.23	31.24	2000	400
HCR-700-32	.660	16.76	.700	17.78	2.13	54.10	1000	200
HCR-375-8	.404	10.26	.520	13.21	.50	12.70	5000	1000
HCR-375-14	.404	10.26	.520	13.21	.86	21.84	5000	1000
HCR-820-32	.780	19.81	.820	20.83	2.13	54.10	500	100
HCR-1060-44	1.015	25.78	1.060	26.92	2.81	71.37	300	60
HCR-1330-44	1.285	32.64	1.330	33.78	2.75	69.85	300	60
HCR-1510-44	1.484	37.69	1.510	38.35	2.75	69.85	300	60
HCR-1630-48	1.560	39.63	1.630	41.40	3.06	77.72	300	60



HVC and VC Series

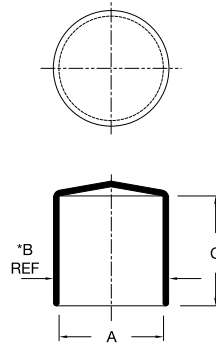
Flexible Round Caps

HVC Series temperature-resistant Caps protect up to and beyond 500°F. Extremely flexible and durable protective closures that are ideal for use as thread protectors, dust and moisture seals, and as masking caps during painting, plating or powder coating operations.

Material: Flex500® or standard vinyl **Color:** Black
Optional Color: Yellow

Note: "B" dimension provided for reference only. Measured approximately 1/4" from open end of part.

Note: For low-temperature vinyl, please refer to VC Series column.

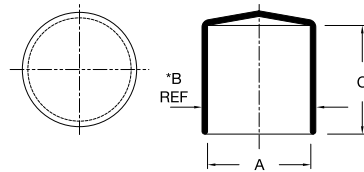


Flexible Round Caps HVC and VC Series

† Mini and Micro Paks available in standard color.
‡ Minimum order for Micro Paks is 2.

Flex500® Caplugs No.	Low-Temp Vinyl Caplugs No.	Dimensions						Packaging		
		A		B REF		C		Carton Quantity	Mini Pak† Quantity	Micro Pak‡ Quantity
		In	mm	In	mm	In	mm			
HVC-312-16	VC-312-16	.312	7.93	.42	10.67	1.000	25.40	5000	1000	100
HVC-312-24	VC-312-24	.312	7.93	.43	10.92	1.500	38.10	2500	n/a	n/a
HVC-343-8	VC-343-8	.343	8.71	.45	11.43	.500	12.70	5000	n/a	n/a
HVC-343-16	VC-343-16	.343	8.71	.45	11.43	1.000	25.40	2500	500	50
HVC-375-8	VC-375-8	.375	9.53	.50	12.70	.500	12.70	5000	n/a	n/a
HVC-375-16	VC-375-16	.375	9.53	.50	12.70	1.000	25.40	2500	500	50
HVC-406-8	VC-406-8	.406	10.31	.53	13.46	.500	12.70	5000	n/a	n/a
HVC-406-16	VC-406-16	.406	10.31	.53	13.46	1.000	25.40	2500	500	50
HVC-437-8	VC-437-8	.437	11.10	.56	14.22	.500	12.70	5000	n/a	n/a
HVC-437-16	VC-437-16	.437	11.10	.56	14.22	1.000	25.40	2500	500	50
HVC-460-8	VC-460-8	.460	11.68	.58	14.73	.500	12.70	5000	n/a	n/a
HVC-460-16	VC-460-16	.460	11.68	.58	14.73	1.000	25.40	2500	n/a	n/a
HVC-467-8	VC-467-8	.467	11.86	.58	14.73	.500	12.70	5000	n/a	n/a
HVC-467-16	VC-467-16	.467	11.86	.58	14.73	1.000	25.40	2500	n/a	n/a
HVC-490-8	VC-490-8	.490	12.45	.61	15.49	.500	12.70	5000	n/a	n/a
HVC-490-16	VC-490-16	.490	12.45	.61	15.49	1.000	25.40	3000	n/a	n/a
HVC-500-8	VC-500-8	.500	12.70	.62	15.75	.500	12.70	5000	n/a	n/a
HVC-500-16	VC-500-16	.500	12.70	.62	15.75	1.000	25.40	2500	500	50
HVC-531-8	VC-531-8	.531	13.49	.65	16.51	.500	12.70	5000	n/a	n/a
HVC-531-16	VC-531-16	.531	13.49	.65	16.51	1.000	25.40	2500	n/a	n/a
HVC-562-8	VC-562-8	.562	14.28	.69	17.53	.500	12.70	2500	n/a	n/a
HVC-562-16	VC-562-16	.562	14.28	.69	17.53	1.000	25.40	2000	n/a	n/a
HVC-600-8	VC-600-8	.600	15.24	.73	18.54	.500	12.70	3000	n/a	n/a
HVC-600-16	VC-600-16	.600	15.24	.73	18.54	1.000	25.40	2000	n/a	n/a
HVC-625-8	VC-625-8	.625	15.88	.76	19.30	.500	12.70	2500	n/a	n/a
HVC-625-16	VC-625-16	.625	15.88	.76	19.30	1.000	25.40	2000	400	50
HVC-625-24	VC-625-24	.625	15.88	.77	19.56	1.500	38.10	1500	n/a	n/a
HVC-640-8	VC-640-8	.640	16.26	.77	19.56	.500	12.70	4000	n/a	n/a
HVC-640-16	VC-640-16	.640	16.26	.77	19.56	1.000	25.40	2000	n/a	n/a
HVC-665-8	VC-665-8	.665	16.89	.80	20.32	.500	12.70	4000	n/a	n/a
HVC-665-16	VC-665-16	.665	16.89	.80	20.32	1.000	25.40	2000	n/a	n/a
HVC-687-8	VC-687-8	.687	17.45	.81	20.57	.500	12.70	2500	n/a	n/a
HVC-687-16	VC-687-16	.687	17.45	.81	20.57	1.000	25.40	1000	n/a	n/a
HVC-690-8	VC-690-8	.690	17.53	.82	20.83	.500	12.70	2500	n/a	n/a
HVC-690-16	VC-690-16	.690	17.53	.82	20.83	1.000	25.40	1000	n/a	n/a
HVC-725-8	VC-725-8	.725	18.42	.86	21.84	.500	12.70	2500	n/a	n/a
HVC-725-16	VC-725-16	.725	18.42	.86	21.84	1.000	25.40	1000	n/a	n/a
HVC-750-8	VC-750-8	.750	19.05	.88	22.35	.500	12.70	2500	n/a	n/a
HVC-750-16	VC-750-16	.750	19.05	.88	22.35	1.000	25.40	1000	200	25
HVC-812-8	VC-812-8	.812	20.63	.94	23.88	.500	12.70	2500	n/a	n/a
HVC-812-16	VC-812-16	.812	20.63	.94	23.88	1.000	25.40	1000	n/a	n/a
HVC-812-24	VC-812-24	.812	20.63	.95	24.13	1.500	38.10	1000	n/a	n/a
HVC-843-8	VC-843-8	.843	21.41	.98	24.89	.500	12.70	2500	n/a	n/a
HVC-843-16	VC-843-16	.843	21.41	.98	24.89	1.000	25.40	1000	n/a	n/a
HVC-870-8	VC-870-8	.870	22.10	1.01	25.65	.500	12.70	1000	n/a	n/a
HVC-870-16	VC-870-16	.870	22.10	1.01	25.65	1.000	25.40	1000	n/a	n/a
HVC-875-8	VC-875-8	.875	22.23	1.02	25.91	.500	12.70	2500	n/a	n/a
HVC-875-16	VC-875-16	.875	22.23	1.02	25.91	1.000	25.40	1000	200	25
HVC-875-24	VC-875-24	.875	22.23	1.02	25.91	1.500	38.10	1000	n/a	n/a
HVC-937-8	VC-937-8	.937	23.80	1.08	27.43	.500	12.70	2000	n/a	n/a
HVC-937-16	VC-937-16	.937	23.80	1.08	27.43	1.000	25.40	1000	n/a	n/a
HVC-985-8	VC-985-8	.985	25.02	1.13	28.70	.500	12.70	2000	n/a	n/a
HVC-985-16	VC-985-16	.985	25.02	1.13	28.70	1.000	25.40	1000	n/a	n/a
HVC-1000-8	VC-1000-8	1.000	25.40	1.14	28.96	.500	12.70	1000	n/a	n/a
HVC-1000-16	VC-1000-16	1.000	25.40	1.14	28.96	1.000	25.40	1000	200	25
HVC-1000-24	VC-1000-24	1.000	25.40	1.14	28.96	1.500	38.10	1000	n/a	n/a
HVC-1062-16	VC-1062-16	1.062	26.97	1.20	30.48	1.000	25.40	1200	n/a	n/a
HVC-1090-16	VC-1090-16	1.090	27.69	1.22	30.99	1.000	25.40	1200	n/a	n/a

FLEX HVC and VC Series Flexible Round Caps (cont.)



Note: "B" dimension provided for reference only. Measured approximately 1/4" from open end of part.

Note: For low-temperature vinyl, please refer to VC Series column.

Flex500® Caplugs No.	Low-Temp Vinyl Caplugs No.	Dimensions						Packaging		
		A		B REF		C		Carton Quantity	Mini Pak† Quantity	Micro Pak‡ Quantity
		In	mm	In	mm	In	mm			
HVC-1125-16	VC-1125-16	1.125	28.57	1.27	32.26	1.000	25.40	500	n/a	n/a
HVC-1187-16	VC-1187-16	1.187	30.14	1.33	33.78	1.000	25.40	500	n/a	n/a
HVC-1250-16	VC-1250-16	1.250	31.75	1.39	35.31	1.000	25.40	500	n/a	n/a
HVC-1250-24	VC-1250-24	1.250	31.75	1.39	35.31	1.500	38.10	500	n/a	n/a
HVC-1312-16	VC-1312-16	1.312	33.32	1.45	36.83	1.000	25.40	1000	n/a	n/a
HVC-1312-24	VC-1312-24	1.312	33.32	1.45	36.83	1.500	38.10	600	n/a	n/a
HVC-1375-16	VC-1375-16	1.375	34.92	1.52	38.61	1.000	25.40	500	n/a	n/a
HVC-1375-24	VC-1375-24	1.375	34.92	1.52	38.61	1.500	38.10	400	n/a	n/a
HVC-1437-16	VC-1437-16	1.437	36.50	1.58	40.06	1.000	25.40	750	n/a	n/a
HVC-1500-16	VC-1500-16	1.500	38.10	1.64	41.66	1.000	25.40	500	n/a	n/a
HVC-1500-24	VC-1500-24	1.500	38.10	1.64	41.66	1.500	38.10	300	n/a	n/a
HVC-1593-16	VC-1593-16	1.593	40.46	1.72	43.76	1.000	25.40	500	n/a	n/a
HVC-1625-16	VC-1625-16	1.625	41.27	1.77	44.96	1.000	25.40	500	n/a	n/a
HVC-1687-16	VC-1687-16	1.687	42.84	1.83	46.48	1.000	25.40	500	n/a	n/a
HVC-1750-16	VC-1750-16	1.750	44.45	1.89	48.01	1.000	25.40	500	n/a	n/a
HVC-1812-16	VC-1812-16	1.812	46.02	1.95	49.58	1.000	25.40	1000	n/a	n/a
HVC-1875-16	VC-1875-16	1.875	47.62	2.02	51.31	1.000	25.40	250	n/a	n/a
HVC-1937-16	VC-1937-16	1.937	49.20	2.07	52.76	1.000	25.40	600	n/a	n/a
HVC-2000-16	VC-2000-16	2.000	50.80	2.14	54.36	1.000	25.40	250	n/a	n/a
HVC-2000-24	VC-2000-24	2.000	50.80	2.14	54.36	1.500	38.10	300	n/a	n/a
HVC-2125-16	VC-2125-16	2.125	53.98	2.27	57.79	1.000	25.40	500	n/a	n/a
HVC-2156-16	VC-2156-16	2.156	54.76	2.30	58.57	1.000	25.40	500	n/a	n/a
HVC-2250-16	VC-2250-16	2.250	57.15	2.40	60.96	1.000	25.40	500	n/a	n/a
HVC-2250-24	VC-2250-24	2.250	57.15	2.40	60.96	1.500	38.10	300	n/a	n/a
HVC-2375-16	VC-2375-16	2.375	59.56	2.52	64.14	1.000	25.40	200	n/a	n/a
HVC-2375-24	VC-2375-24	2.375	59.56	2.52	64.14	1.500	38.10	250	n/a	n/a
HVC-2460-16	VC-2460-16	2.460	62.48	2.61	66.29	1.000	25.40	250	n/a	n/a
HVC-2500-16	VC-2500-16	2.500	63.50	2.65	67.31	1.000	25.40	400	n/a	n/a
HVC-2500-24	VC-2500-24	2.500	63.50	2.65	67.31	1.500	38.10	250	n/a	n/a
HVC-2625-16	VC-2625-16	2.625	66.67	2.77	70.49	1.000	25.40	400	n/a	n/a
HVC-2625-24	VC-2625-24	2.625	66.67	2.77	70.49	1.500	38.10	200	n/a	n/a
HVC-2687-16	VC-2687-16	2.687	68.25	2.84	72.31	1.000	25.40	400	n/a	n/a
HVC-2750-16	VC-2750-16	2.750	69.85	2.91	73.91	1.000	25.40	300	n/a	n/a
HVC-2750-24	VC-2750-24	2.750	69.85	2.91	73.91	1.500	38.10	200	n/a	n/a
HVC-2875-16	VC-2875-16	2.875	73.03	3.03	77.09	1.000	25.40	250	n/a	n/a
HVC-3000-16	VC-3000-16	3.000	76.20	3.16	80.26	1.000	25.40	250	n/a	n/a
HVC-3000-24	VC-3000-24	3.000	76.20	3.16	80.26	1.500	38.10	250	n/a	n/a
HVC-3125-16	VC-3125-16	3.125	79.37	3.285	83.44	1.000	25.40	250	n/a	n/a
HVC-3125-24	VC-3125-24	3.125	79.37	3.285	83.44	1.500	38.10	300	n/a	n/a
HVC-3250-18	VC-3250-18	3.250	82.55	3.410	86.61	1.125	28.58	200	n/a	n/a
HVC-3375-18	VC-3375-18	3.375	85.73	3.535	89.79	1.125	28.58	250	n/a	n/a
HVC-3500-18	VC-3500-18	3.500	88.90	3.660	92.96	1.125	28.58	225	n/a	n/a
HVC-3500-24	VC-3500-24	3.500	88.90	3.660	92.96	1.500	38.10	200	n/a	n/a
HVC-3625-18	VC-3625-18	3.625	92.08	3.785	96.14	1.125	28.58	200	n/a	n/a
HVC-3750-18	VC-3750-18	3.750	92.25	3.910	99.31	1.125	28.58	200	n/a	n/a
HVC-3875-18	VC-3875-18	3.875	98.43	4.035	102.49	1.125	28.58	200	n/a	n/a
HVC-4000-20	VC-4000-20	4.000	101.60	4.160	105.66	1.250	31.75	100	n/a	n/a

† Mini and Micro Paks available in standard color.
‡ Minimum order for Micro Paks is 2.

Flexible Round Caps (cont.) HVC and VC Series

Flex500® Caplugs No.	Low-Temp Vinyl Caplugs No.	Dimensions						Packaging		
		A		B REF		C		Carton Quantity	Mini Pak† Quantity	Micro Pak‡ Quantity
		In	mm	In	mm	In	mm			
HVC-4125-20	VC-4125-20	4.125	104.78	4.285	108.84	1.250	31.75	150	n/a	n/a
HVC-4187-20	VC-4187-20	4.187	106.35	4.347	110.41	1.250	31.75	100	n/a	n/a
HVC-4250-20	VC-4250-20	4.250	107.95	4.410	112.01	1.250	31.75	150	n/a	n/a
HVC-4375-20	VC-4375-20	4.375	111.13	4.535	115.19	1.250	31.75	150	n/a	n/a
HVC-4500-20	VC-4500-20	4.500	114.30	4.660	118.36	1.250	31.75	150	n/a	n/a
HVC-4750-20	VC-4750-20	4.750	120.65	4.910	124.71	1.250	31.75	100	n/a	n/a
HVC-5000-22	VC-5000-22	5.000	127.00	5.180	131.57	1.375	34.93	125	n/a	n/a
HVC-5187-22	VC-5187-22	5.187	131.75	5.367	136.32	1.375	34.93	125	n/a	n/a
HVC-5375-22	VC-5375-22	5.375	136.53	5.555	141.10	1.375	34.93	100	n/a	n/a
HVC-5500-22	VC-5500-22	5.500	139.70	5.680	144.27	1.375	34.93	100	n/a	n/a
HVC-5750-22	VC-5750-22	5.750	146.05	5.930	150.62	1.375	34.93	50	n/a	n/a
HVC-6000-24	VC-6000-24	6.000	152.40	6.180	156.97	1.500	38.10	90	n/a	n/a
HVC-6250-24	VC-6250-24	6.250	158.75	6.430	163.32	1.500	38.10	90	n/a	n/a
HVC-6500-24	VC-6500-24	6.500	165.10	6.680	169.67	1.500	38.10	80	n/a	n/a
HVC-6750-24	VC-6750-24	6.750	171.45	6.930	176.02	1.500	38.10	70	n/a	n/a
HVC-7000-24	VC-7000-24	7.000	177.80	7.180	182.37	1.500	38.10	50	n/a	n/a
HVC-7250-24	VC-7250-24	7.250	184.15	7.430	188.72	1.500	38.10	70	n/a	n/a
HVC-7500-24	VC-7500-24	7.500	190.50	7.680	195.07	1.500	38.10	50	n/a	n/a
HVC-7750-28	VC-7750-28	7.750	196.85	7.930	201.42	1.750	44.45	50	n/a	n/a
HVC-8000-28	VC-8000-28	8.000	203.20	8.180	207.77	1.750	44.45	50	n/a	n/a
HVC-8500-28	VC-8500-28	8.500	215.90	8.680	220.47	1.750	44.45	50	n/a	n/a
HVC-8750-28	VC-8750-28	8.750	222.25	8.930	226.82	1.750	44.45	50	n/a	n/a
HVC-9000-28	VC-9000-28	9.000	228.60	9.200	233.68	1.750	44.45	40	n/a	n/a
HVC-9250-28	VC-9250-28	9.250	234.95	9.450	240.03	1.750	44.45	40	n/a	n/a
HVC-9375-28	VC-9375-28	9.375	238.13	9.575	243.21	1.750	44.45	40	n/a	n/a
HVC-9500-28	VC-9500-28	9.500	241.30	9.700	246.38	1.750	44.45	40	n/a	n/a
HVC-9625-28	VC-9625-28	9.625	244.48	9.825	249.56	1.750	44.45	40	n/a	n/a
HVC-9875-28	VC-9875-28	9.875	250.83	10.075	255.91	1.750	44.45	40	n/a	n/a
HVC-10000-32	VC-10000-32	10.000	254.00	10.200	259.08	2.000	50.80	35	n/a	n/a
HVC-10312-32	VC-10312-32	10.312	261.92	10.512	267.00	2.000	50.80	25	n/a	n/a
HVC-10750-32	VC-10750-32	10.750	273.05	10.950	278.13	2.000	50.80	25	n/a	n/a
HVC-11000-32	VC-11000-32	11.000	279.40	11.200	284.48	2.000	50.80	25	n/a	n/a
HVC-11375-32	VC-11375-32	11.375	288.93	11.575	294.01	2.000	50.80	25	n/a	n/a
HVC-11750-32	VC-11750-32	11.750	298.45	11.950	303.53	2.000	50.80	25	n/a	n/a
HVC-12000-32	VC-12000-32	12.000	304.80	12.200	309.88	2.000	50.80	25	n/a	n/a
HVC-12250-32	VC-12250-32	12.250	311.15	12.450	316.23	2.000	50.80	25	n/a	n/a
HVC-12500-32	VC-12500-32	12.500	317.50	12.700	322.58	2.000	50.80	25	n/a	n/a
HVC-12625-32	VC-12625-32	12.625	320.68	12.825	325.76	2.000	50.80	25	n/a	n/a
HVC-12875-32	VC-12875-32	12.875	327.03	13.075	332.11	2.000	50.80	25	n/a	n/a
HVC-13250-32	VC-13250-32	13.250	336.55	13.470	342.14	2.000	50.80	25	n/a	n/a
HVC-13500-32	VC-13500-32	13.500	342.90	13.720	348.49	2.000	50.80	25	n/a	n/a
HVC-13600-32	VC-13600-32	13.600	345.44	13.820	351.03	2.000	50.80	25	n/a	n/a
HVC-14000-32	VC-14000-32	14.000	355.60	14.220	361.19	2.000	50.80	18	n/a	n/a
HVC-14250-32	VC-14250-32	14.250	361.95	14.470	367.54	2.000	50.80	25	n/a	n/a
HVC-14500-32	VC-14500-32	14.500	368.30	14.720	373.89	2.000	50.80	25	n/a	n/a
HVC-15000-32	VC-15000-32	15.000	381.00	15.220	386.59	2.000	50.80	25	n/a	n/a
HVC-15625-32	VC-15625-32	15.625	396.88	15.845	402.46	2.000	50.80	25	n/a	n/a
HVC-15875-32	VC-15875-32	15.875	403.23	16.115	409.32	2.000	50.80	25	n/a	n/a
HVC-16000-32	VC-16000-32	16.000	406.40	16.240	412.50	2.000	50.80	25	n/a	n/a
HVC-16500-32	VC-16500-32	16.500	419.10	16.740	425.20	2.000	50.80	20	n/a	n/a
HVC-17375-40	VC-17375-40	17.375	441.33	17.615	447.42	2.500	63.50	20	n/a	n/a
HVC-18000-40	VC-18000-40	18.000	457.20	18.240	463.30	2.500	63.50	15	n/a	n/a
HVC-19000-40	VC-19000-40	19.000	482.60	19.240	488.70	2.500	63.50	15	n/a	n/a
HVC-20000-40	VC-20000-40	20.000								



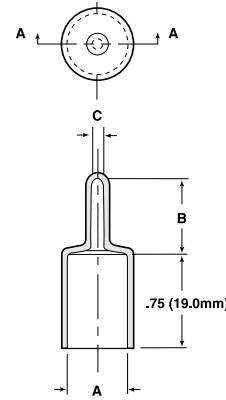
HEZ and EZ Series

Flexible Caps with Pull-Tab for Easy Removal

HEZ and EZ Series Caps feature an extra long tab centered at the top of the closure which allows the cap to be finger-removed easily, eliminating the use of tools that could damage threads or part surfaces. Ideal for masking applications during painting, plating and powder coating operations.

Material: Flex500® or standard vinyl **Color:** Black
Optional Color: Yellow

Note: For low-temperature vinyl, please refer to EZ Series column.



Flexible Caps with Pull-Tab for Easy Removal HEZ and EZ Series

† Mini and Micro Paks available in standard color.
 ‡ Minimum order for Micro Paks is 2.

Flex500® Caplugs No.	Low-Temp Vinyl Caplugs No.	Dimensions						Packaging		
		A		B		C		Carton Quantity	Mini Pak† Quantity	Micro Pak‡ Quantity
		In	mm	In	mm	In	mm			
HEZ-187-12	EZ-187-12	.187	4.74	.500	12.70	.093	2.36	5000	n/a	n/a
HEZ-215-12	EZ-215-12	.215	5.46	.500	12.70	.093	2.36	5000	n/a	n/a
HEZ-240-12	EZ-240-12	.240	6.09	.625	15.87	.125	3.17	4000	800	50
HEZ-303-12	EZ-303-12	.303	7.69	.625	15.87	.125	3.17	4000	800	50
HEZ-365-12	EZ-365-12	.365	9.27	.625	15.87	.125	3.17	3500	700	50
HEZ-386-12	EZ-386-12	.386	9.80	.625	15.87	.125	3.17	4000	n/a	n/a
HEZ-406-12	EZ-406-12	.406	10.31	.625	15.87	.125	3.17	4000	n/a	n/a
HEZ-427-12	EZ-427-12	.427	10.84	.625	15.87	.125	3.17	3000	n/a	n/a
HEZ-460-12	EZ-460-12	.460	11.68	.500	12.70	.100	2.54	2500	n/a	n/a
HEZ-490-12	EZ-490-12	.490	12.44	.687	17.44	.125	3.17	2500	500	50
HEZ-521-12	EZ-521-12	.521	13.23	.625	15.88	.125	3.17	2500	n/a	n/a
HEZ-552-12	EZ-552-12	.552	14.02	.687	17.44	.125	3.17	2000	500	50
HEZ-600-12	EZ-600-12	.600	15.24	.812	20.62	.187	4.75	2000	n/a	n/a
HEZ-615-12	EZ-615-12	.615	15.62	.687	17.44	.125	3.17	2000	400	50
HEZ-655-12	EZ-655-12	.655	16.63	.875	22.22	.187	4.75	2000	n/a	n/a
HEZ-670-12	EZ-670-12	.670	17.02	.800	20.32	.190	4.83	2000	n/a	n/a
HEZ-677-12	EZ-677-12	.677	17.19	.812	20.62	.187	4.75	2000	n/a	n/a
HEZ-695-12	EZ-695-12	.695	17.65	.812	20.62	.187	4.75	1500	n/a	n/a
HEZ-735-12	EZ-735-12	.735	18.66	.812	20.62	.187	4.74	1500	300	25
HEZ-760-12	EZ-760-12	.760	19.30	.800	20.32	.190	4.83	2000	n/a	n/a
HEZ-797-12	EZ-797-12	.797	20.24	.812	20.62	.187	4.75	1500	n/a	n/a
HEZ-835-12	EZ-835-12	.835	21.20	.843	21.41	.187	4.74	1500	n/a	n/a
HEZ-860-12	EZ-860-12	.860	21.84	.843	21.41	.187	4.74	1500	300	25
HEZ-922-12	EZ-922-12	.922	23.41	.875	22.22	.187	4.74	1000	n/a	n/a
HEZ-985-12	EZ-985-12	.985	25.01	.875	22.22	.187	4.74	1000	250	25
HEZ-1048-12	EZ-1048-12	1.048	27.53	1.000	25.40	.187	4.74	1000	n/a	n/a
HEZ-1110-12	EZ-1110-12	1.110	28.19	1.125	28.58	.187	4.74	1000	n/a	n/a
HEZ-1175-12	EZ-1175-12	1.175	29.85	.750	19.05	.325	8.26	1000	n/a	n/a
HEZ-1230-12	EZ-1230-12	1.230	31.24	1.125	28.58	.187	4.74	900	n/a	n/a
HEZ-1355-12	EZ-1355-12	1.355	34.41	1.125	28.58	.250	6.35	800	n/a	n/a
HEZ-1480-12	EZ-1480-12	1.480	37.59	1.000	25.40	.250	6.35	800	n/a	n/a



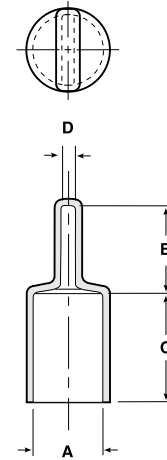
HFC and VFC Series

Flexible Caps with Flat Pull-Tab for Easy Removal

HFC and VFC Series Caps have a long flat tab centered at the top of the closure, which allows easy removal of the cap.

Material: Flex500® or standard vinyl **Color:** Black
Optional Color: Yellow

Note: For low-temperature vinyl, please refer to VFC Series column.



† Mini and Micro Paks available in standard color.
‡ Minimum order for Micro Paks is 2.

Flexible Caps with Flat Pull-Tab for Easy Removal HFC and VFC Series

Flex500® Caplugs No.	Low-Temp Vinyl Caplugs No.	Dimensions								Packaging		
		A		B		C		D		Carton Quantity	Mini Pak† Quantity	Micro Pak‡ Quantity
		In	mm	In	mm	In	mm	In	mm			
HFC-180-8	VFC-180-8	.180	4.57	.500	12.70	.500	12.70	.062	1.57	5000	n/a	n/a
HFC-180-16	VFC-180-16	.180	4.57	.500	12.70	1.000	25.40	.062	1.57	5000	1000	100
HFC-207-8	VFC-207-8	.207	5.25	.625	15.88	.500	12.70	.125	3.18	5000	n/a	n/a
HFC-207-16	VFC-207-16	.207	5.25	.625	15.88	1.000	25.40	.125	3.18	5000	n/a	n/a
HFC-240-8	VFC-240-8	.240	6.09	.625	15.88	.500	12.70	.125	3.18	5000	n/a	n/a
HFC-240-16	VFC-240-16	.240	6.09	.625	15.88	1.000	25.40	.125	3.18	5000	n/a	n/a
HFC-302-8	VFC-302-8	.302	7.67	.625	15.88	.500	12.70	.125	3.18	4000	n/a	n/a
HFC-302-16	VFC-302-16	.302	7.67	.625	15.88	1.000	25.40	.125	3.18	4000	n/a	n/a
HFC-365-8	VFC-365-8	.365	9.27	.625	15.88	.500	12.70	.125	3.18	5000	n/a	n/a
HFC-365-12	VFC-365-12	.365	9.27	.625	15.88	.750	19.05	.125	3.18	3000	n/a	n/a
HFC-365-16	VFC-365-16	.365	9.27	.625	15.88	1.000	25.40	.125	3.18	2500	n/a	n/a
HFC-396-8	VFC-396-8	.396	10.05	.625	15.88	.500	12.70	.125	3.18	3000	n/a	n/a
HFC-396-16	VFC-396-16	.396	10.05	.625	15.88	1.000	25.40	.125	3.18	3000	n/a	n/a
HFC-410-8	VFC-410-8	.410	10.41	.687	17.45	.500	12.70	.125	3.18	3000	n/a	n/a
HFC-410-16	VFC-410-16	.410	10.41	.687	17.45	1.000	25.40	.125	3.18	2000	400	50
HFC-427-8	VFC-427-8	.427	10.84	.625	15.88	.500	12.70	.125	3.18	3000	n/a	n/a
HFC-427-16	VFC-427-16	.427	10.84	.625	15.88	1.000	25.40	.125	3.18	2500	500	50
HFC-470-8	VFC-470-8	.470	11.93	.625	15.88	.500	12.70	.125	3.18	2000	n/a	n/a
HFC-470-16	VFC-470-16	.470	11.93	.625	15.88	1.000	25.40	.125	3.18	2000	n/a	n/a
HFC-490-8	VFC-490-8	.490	12.44	.625	15.88	.500	12.70	.125	3.18	2500	n/a	n/a
HFC-490-16	VFC-490-16	.490	12.44	.625	15.88	1.000	25.40	.125	3.18	1500	n/a	n/a
HFC-521-8	VFC-521-8	.521	13.23	.625	15.88	.500	12.70	.125	3.18	2000	n/a	n/a
HFC-521-16	VFC-521-16	.521	13.23	.625	15.88	1.000	25.40	.125	3.18	1500	300	50
HFC-552-8	VFC-552-8	.552	14.02	.687	17.45	.500	12.70	.125	3.18	3000	n/a	n/a
HFC-552-12	VFC-552-12	.552	14.02	.687	17.45	.750	19.05	.125	3.18	2000	n/a	n/a
HFC-552-16	VFC-552-16	.552	14.02	.687	17.45	1.000	25.40	.125	3.18	1500	n/a	n/a
HFC-590-8	VFC-590-8	.590	14.98	.625	15.88	.500	12.70	.125	3.18	1500	n/a	n/a
HFC-590-16	VFC-590-16	.590	14.98	.625	15.88	1.000	25.40	.125	3.18	1500	300	50
HFC-615-8	VFC-615-8	.615	15.62	.687	17.45	.500	12.70	.125	3.18	2000	n/a	n/a
HFC-615-16	VFC-615-16	.615	15.62	.687	17.45	1.000	25.40	.125	3.18	2000	n/a	n/a
HFC-677-8	VFC-677-8	.677	17.19	.687	17.45	.500	12.70	.125	3.18	1000	n/a	n/a
HFC-677-16	VFC-677-16	.677	17.19	.687	17.45	1.000	25.40	.125	3.18	1000	200	25
HFC-735-8	VFC-735-8	.735	18.66	.812	20.63	.500	12.70	.187	4.75	1000	n/a	n/a
HFC-735-12	VFC-735-12	.735	18.66	.812	20.63	.750	19.05	.187	4.75	1250	n/a	n/a
HFC-735-16	VFC-735-16	.735	18.66	.812	20.63	1.000	25.40	.187	4.75	1000	n/a	n/a
HFC-797-8	VFC-797-8	.797	20.24	.812	20.63	.500	12.70	.187	4.75	900	n/a	n/a
HFC-797-16	VFC-797-16	.797	20.24	.812	20.63	1.000	25.40	.187	4.75	900	180	20
HFC-865-8	VFC-865-8	.865	21.97	.843	21.41	.500	12.70	.187	4.75	1000	n/a	n/a
HFC-865-16	VFC-865-16	.865	21.97	.843	21.41	1.000	25.40	.187	4.75	2500	n/a	n/a
HFC-990-8	VFC-990-8	.990	25.14	.875	22.23	.500	12.70	.187	4.75	600	n/a	n/a
HFC-990-16	VFC-990-16	.990	25.14	.875	22.23	1.000	25.40	.187	4.75	600	120	20
HFC-1230-16	VFC-1230-16	1.230	31.24	1.125	28.58	1.000	25.40	.187	4.75	500	n/a	n/a
HFC-1230-24	VFC-1230-24	1.230	31.24	1.125	28.58	1.500	38.10	.187	4.75	500	n/a	n/a
HFC-1605-16	VFC-1605-16	1.605	40.76	1.250	31.75	1.000	25.40	.250	6.35	400	n/a	n/a
HFC-1605-24	VFC-1605-24	1.605	40.76	1.250	31.75	1.500	38.10	.250	6.35	400	n/a	n/a



TS Series

Tapered Silicone Caps & Plugs

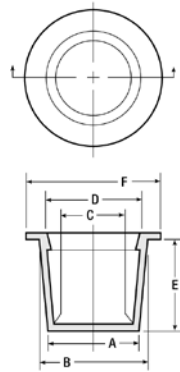
The TS Series Caps and Plugs offer all the versatility of our traditional tapers with the added resilience of silicone. Ideal for use in masking applications that require temperature and corrosion-resistance.

- Flexible
- Easy to install and remove
- Temperature-resistant up to 600°F (315°C)

Available in two durometers:

- 70 Red has a more structured, rigid feel
- 45 Natural offers extreme flexibility

Material: Silicone **Color:** Red and Natural



COMING SOON TSV Series

The TSV Series includes a vent and is recommended when internal back-pressure could be an issue, such as during high-temperature curing processes. Like our TS Series, the TSV Series is perfect for plugging both threaded and non-threaded holes.

- Available in a rigid 70 Durometer to prevent vent from splaying during installation
- Still tapered and flexible to allow for a snug fit in multiple hole sizes
- Easy to install and remove
- Temperature-resistant up to 600°F (315°C)



Tapered Silicone Caps & Plugs TS Series

Caplugs No.	Dimensions												Packaging	
	A		B		C		D		E		F		Carton Quantity	Mini Pak Quantity
	In	mm	In	mm	In	mm	In	mm	In	mm	In	mm		
TS-00	.116	2.95	.182	4.62	.053	1.35	.120	3.05	.380	9.65	.330	8.38	5000	1000
TS-0	.173	4.39	.240	6.10	0.111	2.82	.177	4.50	.380	9.65	.400	10.16	5000	1000
TS-1	.240	6.10	.295	7.49	.174	4.42	.240	6.10	.380	9.65	.460	11.68	5000	1000
TS-2	.299	7.59	.365	9.27	.235	5.97	.302	7.67	.380	9.65	.520	13.21	5000	1000
TS-3	.361	9.17	.418	10.62	.298	7.57	.365	9.27	.380	9.65	.580	14.73	5000	1000
TS-4	.419	10.64	.485	12.32	.356	9.04	.422	10.72	.380	9.65	.650	16.51	5000	1000
TS-5	.471	11.96	.536	13.61	.409	10.39	.485	12.32	.440	11.18	.710	18.03	5000	1000
TS-6	.532	13.51	.608	15.44	.468	11.89	.545	13.84	.440	11.18	.770	19.56	5000	1000
TS-7	.580	14.73	.667	16.94	.518	13.16	.605	15.37	.500	12.70	.830	21.08	5000	1000
TS-8	.640	16.26	.727	18.47	.578	14.68	.664	16.87	.500	12.70	.900	22.86	5000	1000
TS-9	.690	17.53	.788	20.02	.628	15.95	.726	18.44	.560	14.22	.960	24.38	5000	1000
TS-10	.750	19.05	.848	21.54	.687	17.45	.785	19.94	.560	14.22	1.020	25.91	5000	1000
TS-11	.802	20.37	.911	23.14	.740	18.80	.849	21.56	.630	16.00	1.080	27.43	5000	1000
TS-12	.866	22.00	.975	24.77	.803	20.40	.912	23.16	.630	16.00	1.150	29.21	5000	1000
TS-13	.964	24.49	1.090	27.69	.901	22.89	1.027	26.09	.750	19.05	1.270	32.26	2500	500
TS-14	1.094	27.79	1.215	30.86	1.031	26.19	1.152	29.26	.750	19.05	1.430	36.32	2500	500
TS-15	1.224	31.09	1.355	34.42	1.161	29.49	1.292	32.82	.750	19.05	1.520	38.61	2500	500
TS-16	1.312	33.32	1.465	37.21	1.249	31.72	1.402	35.61	.880	22.35	1.650	41.91	1000	200
TS-17	1.447	36.75	1.600	40.64	1.384	35.15	1.537	39.04	.880	22.35	1.770	44.96	1000	200
TS-18	1.560	39.62	1.682	42.72	1.498	38.05	1.620	41.15	.750	19.05	1.900	48.26	1000	200
TS-19	1.750	44.45	1.880	47.75	1.688	42.88	1.818	46.18	.750	19.05	2.020	51.31	1000	200
TS-20	1.780	45.21	1.950	49.53	1.718	43.64	1.888	47.96	1.000	25.40	2.150	54.61	1000	200
TS-21	1.900	48.26	2.076	52.73	1.837	46.66	2.013	51.13	1.000	25.40	2.270	57.66	1000	200
TS-23	2.035	51.69	2.210	56.13	1.976	50.19	2.153	54.69	1.000	25.40	2.360	59.94	1000	200
TS-24	2.255	57.28	2.430	61.72	2.196	55.78	2.373	60.27	1.000	25.40	2.580	65.53	1000	200
TS-42	2.525	64.14	2.700	68.58	2.466	62.64	2.643	67.13	1.000	25.40	2.850	72.39	1000	200
TS-46	2.765	70.23	2.940	74.68	2.706	68.73	2.883	73.23	1.000	25.40	3.090	78.49	1000	200

ULTRA
BAKE

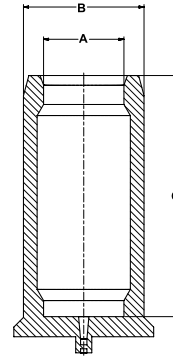
UVCP-SH Series

Silicone Venting Cap/Plugs

UVCP-SH Series Ultrabake™ Venting Cap/Plugs are designed to mask plain and threaded studs or holes. There is a small nipple on the top of the mask, which can easily be punctured or removed to form the small vent. Recommended for powder coating, e-coating, plating and anodizing.

- Recommended temperatures up to 600°F (315°C)
- Internal lip on the open end provides a positive seal to prevent paint and other contaminants from seeping onto the part
- Flanged head enables the cap to be manually removed with ease
- Masks off the hole or stud and allows trapped air to escape from inside the cap through the vent
- Reusable

Material: Silicone **Color:** See chart for color coding



Silicone Venting Cap/Plugs UVCP-SH Series

Caplugs No.	Color	Dimensions						Packaging Quantity Per Bag
		A		B		C		
		In	mm	In	mm	In	mm	
UVCP234	Yellow	.234	5.94	.450	11.43	1.000	25.40	250
UVCP355	Green	.355	9.02	.565	14.35	1.500	38.10	250
UVCP500	Blue	.500	12.70	.750	19.05	1.500	38.10	100
UVCP1000	Rusty Red	1.000	25.40	1.250	31.75	1.500	38.10	50

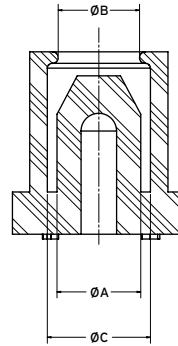
RMCP-SH Series

Rubber Masking Cap/Plug

Provide the Heating, Ventilation and Air Conditioning (HVAC) industry with a RMCP-SH Series Cap/Plug combination mask for use during coating and pressure testing of HVAC compressors. Eliminates the need for two separate masks and the added labor involved in installing and removing each. The rubber cap/plug reveals itself after any nitrogen charging that may occur for shipping.

- Recommended temperatures up to 212°F (100°C)

Material: Rubber **Color:** Black



Rubber Masking Cap/Plug RMCP-SH Series

Caplugs No.	Tube Size	Dimensions						Packaging Quantity Per Bag
		A		B		C		
		In	mm	In	mm	In	mm	
RMCP-312-12	5/16	.380	9.65	.413	10.490	.525	13.34	1000
RMCP-375-12	3/8	.460	11.68	.450	11.430	.537	13.64	1000
RMCP-500-12	1/2	.555	14.10	.526	13.360	.678	17.22	1000
RMCP-625-12	5/8	.675	17.15	.672	17.069	.796	20.22	1000
RMCP-750-12	3/4	.810	20.57	.780	19.812	.920	23.37	1000
RMCP-875-12	7/8	.945	24.00	.908	23.063	1.061	26.95	1000



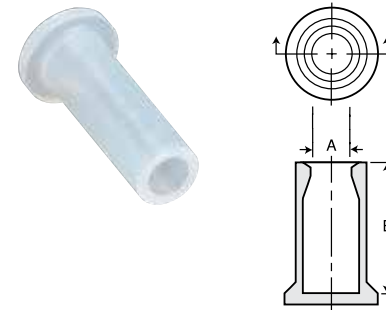
SFC Series

Silicone Flange Caps

SFC Series Ultrabake™ Silicone Flange Caps feature a design which simplifies the application and removal of the cap. An internal lip on the open end provides a positive seal to prevent paint and other contaminants from seeping onto the part. A flanged head enables the cap to be manually removed with ease. Some sizes have provisions for venting air, which keeps the part from unseating during high-temperature processes.

- Temperature-resistant up to 600°F (315°C)

Material: Silicone **Color:** Natural



Silicone Flange Caps SFC Series

Caplugs No.	Dimensions				Packaging	
	A		B		Carton Quantity	Mini Pak Quantity
	In	mm	In	mm		
SFC-157-19	.157	3.99	1.180	29.97	500	100
SFC-187-22	.187	4.75	1.377	34.98	500	100
SFC-234-32	.234	5.94	2.000	50.80	500	100
SFC-294-21	.294	7.47	1.330	33.78	500	100
SFC-315-16	.315	8.00	.974	24.74	250	50
SFC-375-23	.375	9.53	1.421	36.09	100	20
SFC-438-15	.438	11.13	.950	24.13	100	20
SFC-608-19	.608	15.44	1.180	29.97	100	20

PTC Series

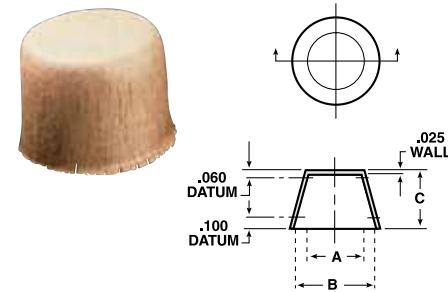
Tapered Paper Caps

Manufactured from natural paper and 100% recyclable, PTC Series Tapered Paper Caps are the answer for applications requiring environmentally friendly components. The special paper used in the manufacture of paper caps is formulated from a blend of 90% virgin pulp and 10% post-consumer recycled paper.

- Temperature-resistant up to 400°F (204°C)
- Made from recycled material
- 100% recyclable

Material: 90 lb. paperboard **Color:** Brown

Note: Products are manufactured from paper that is hygroscopic. This means there may be minor dimensional variation with changes in relative humidity.



Tapered Paper Caps PTC Series

Caplugs No.	Pipe Size Inches	Dimensions						Packaging	
		A		B		C		Carton Quantity	Mini Pak Quantity
		In	mm	In	mm	In	mm		
PTC-S-26-3	1/8	.35	8.89	.40	10.16	.40	10.16	25000	1000
PTC-S-41-3	1/4	.47	11.94	.49	12.45	.53	13.46	12000	1000
PTC-S-24-3	3/8	.65	16.51	.65	16.51	.52	13.21	16000	1000
PTC-S-27-3	1/2	.78	19.81	.83	21.08	.77	19.56	7000	1000
PTC-S-10-3	1	1.27	32.26	1.26	32.00	1.00	25.40	3300	660
PTC-S-35-3	3/4	.95	24.13	1.08	27.43	.89	22.61	4000	800
PTC-S-51-3X	1-1/4	1.62	41.15	1.69	42.93	.85	21.59	2700	540
PTC-S-98-3	1-1/2	1.83	46.48	1.89	48.00	.94	23.88	1800	360
PTC-S-52-3	2	2.33	59.18	2.34	59.44	.87	22.10	1400	280
PTC-S-67-3X	2-1/2	2.83	71.88	2.85	72.39	.97	24.64	800	160
PTC-S-25-3	3	3.32	84.33	3.63	92.20	1.12	28.45	500	100

PSC Series

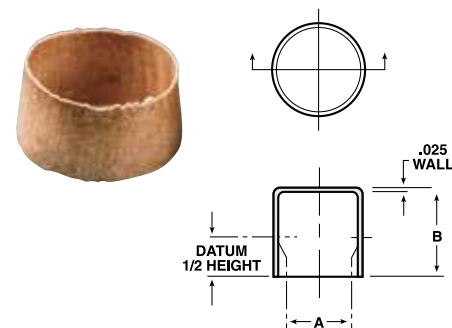
Straight Paper Caps for Flared Tube Fittings

Manufactured from natural paper and 100% recyclable, PSC Series Straight Paper Caps are the answer for applications requiring environmentally friendly components. The special paper used in the manufacture of paper caps is formulated from a blend of 90% virgin pulp and 10% post-consumer recycled paper.

- Temperature-resistant up to 400°F (204°C)
- Made from recycled material
- 100% recyclable

Material: 90 lb. paperboard **Color:** Brown





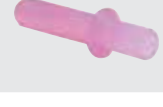





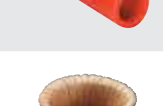

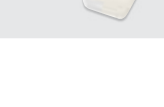
Note: Products are manufactured from paper that is hygroscopic. This means there may be minor dimensional variation with changes in relative humidity.



Straight Paper Caps for Flared Tube Fittings PSC Series

Caplugs No.	Flared Tube Fitting Inches	Dimensions						Packaging	
		Tube O.D.		A		B		Carton Quantity	Mini Pak Quantity
		In	mm	In	mm	In	mm		
PSC-S-11-3	1/8	5/16	7.94	.30	7.62	.37	9.40	22000	1000
PSC-S-26-3	3/16	3/8	9.53	.35	8.89	.38	9.65	25000	1000
PSC-S-29-3	1/4	7/16	11.11	.42	10.67	.45	11.43	18000	1000
PSC-S-41-3	5/16	1/2	12.70	.47	11.94	.51	12.95	12500	1000
PSC-S-34-3	3/8	5/8	15.88	.60	15.24	.53	13.46	8000	1000
PSC-S-30-3	1/2	3/4	19.05	.72	18.29	.68	17.27	8500	1000
PSC-S-47-3	5/8	7/8	22.23	.81	20.57	.82	20.83	5500	1000
PSC-S-35-3	3/4	1	25.40	.96	24.38	.86	21.84	4000	800
PSC-S-5-3X	1	1-1/4	31.75	1.21	30.73	1.00	25.40	3400	600
PSC-S-64-3	1-1/4	1-5/8	41.28	1.54	39.12	1.20	30.48	1800	360
PSC-S-98-3X	1-1/2	1-7/8	47.63	1.83	46.48	.91	23.11	1800	360

Description	Series		Fits Hole Size				Page
			From		To		
			In	mm	In	mm	
Tapered Plugs Available in a variety of sizes and materials	Silicone: UP-SH, MSP-SH, MPP-SH EPDM: GN-SH, BN-SH Cork: RCK-SH, SCK-SH		.016	.41	5.070	128.78	38-39, 42-43 40-41 44-45
Hollow Tapered Plugs A light and conforming tapered plug	HUP-SH		.906	23.01	5.000	127.00	38-39
Tapered Plugs with Handles Handle provides easy installation and removal	UPH-SH		.031	.79	1.000	25.40	46-47
Hollow Tapered Plug with Handles Handle provides easy installation and removal	HUPH-SH		.906	23.01	2.203	55.96	46-47
Pull Plugs Masks the length of a through hole	SPP-SH, PP-SH		.062	1.57	1.380	35.05	48-49
Silicone Hollow Pull Plugs Threaded or non-threaded through holes of varying sizes	SHPP-SH		.916	23.27	2.419	61.44	50-51
Washer Pull Plugs Washer design eliminates the need for two-stage masking	UWPP-SH, UWPLS-SH, and UWM-SH (washer)		.105	2.67	.459	11.66	52-53
Hollow-Flanged Pull Plugs Two-stage plug; large and small diameter help with insertion	HFPP-SH		.197	5.00	.675	17.15	50-51
Dual-Flanged Pull Plugs Mask off chamfer, first thread and last thread	DFPP-SH		.197	5.00	.669	16.99	50-51
Dual-Purpose Plugs Masks square and round holes	UDPP-SH		.375	9.53	1.000	25.40	58-59
Multi-Flanged Plugs Flexible plug that can fit a variety of holes	UMFP-SH		.157	4.00	.709	18.00	60-61
Thread Mask Plugs Masks the first thread of a threaded hole	UTM-SH		.218	5.54	.947	24.05	54-55
Flangeless Plugs Protects the thread of a blind hole	UFP-SH, FP-SH		.157	3.99	1.256	31.90	56-57

Description	Series		Fits Hole Size				Page
			From		To		
			In	mm	In	mm	
Pipe Thread Masks Masks round pipes	PTM-SH		.721	18.31	3.294	83.67	54-55
Washer Plugs Provides a paint-free area around holes	UW-SH, SWP		.110	2.79	.375	9.53	58-59
Step Plugs Wide handle design; allows earthing area around the hole	SP-SH		.118	3.00	.324	8.23	60-61
Flanged Plugs Masks a hole and first thread; can also be used as a cap	SFP-SH		.291	7.39	.539	13.69	60-61
Hollow Washer Plugs Provides a circular grounding or earthing area around the hole	HWP-SH		.248	6.30	.866	22.00	42-43
External Thread Vinyl Plugs High-temperature vinyl plug with external threads to hold securely in place	HETV and ETV		.438	11.13	1.281	32.54	62-63
Tapered Vinyl Plug High-temperature vinyl plug ideal for plugging small holes	HTP and TP		.070	1.78	.340	8.64	62-63
Hollow Tapered Vinyl Plug High-temperature vinyl plug with hollow, tapered design	HVTP and VTP		.195	4.95	1.453	36.91	62-63
Mouse Tail Plugs Ideal for small holes	MT-SH		.025	.64	.080	2.03	64-65
Hollow Cone Plugs Ideal for slotted and oval holes	UHCP-SH		.147	3.73	.787	20.00	64-65
Tapered Paper Plug Flexible, tapered design with flange	PTP		.350	8.89	3.600	91.44	64-65
Self Threading Plugs Self-tapping with a leak-proof seal	STPS-SH		.060	1.52	.446	11.34	66-67



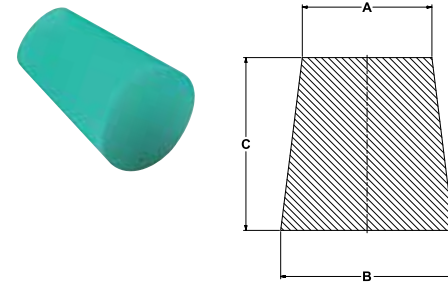
UP-SH Series

Silicone Plugs

UP-SH Series Ultrabake™ Silicone Plugs are designed to plug plain and threaded holes; they will mask off the hole and allow finishing up to it. Recommended for powder coating, e-coating, plating and anodizing.

- Recommended temperatures up to 600°F (315°C)
- Tapered to fit into a range of hole sizes
- Reusable

Material: Silicone **Color:** See chart for color coding



Silicone Plugs UP-SH Series

Caplugs No.	Color	Dimensions						Packaging Quantity Per Bag
		A		B		C		
		In	mm	In	mm	In	mm	
UP99-04	Clear	.031	0.79	.125	3.18	.625	15.88	1000
UP100-04	Light Green	.063	1.60	.125	3.18	.625	15.88	1000
UP101-04	Pink	.063	1.60	.188	4.78	.625	15.88	1000
UP102-04	Black	.125	3.18	.250	6.35	.750	19.05	1000
UP103-04	Dark Red	.188	4.78	.344	8.74	.625	15.88	1000
UP104-04	Yellow	.250	6.35	.375	9.53	.750	19.05	100
UP105-04	White	.250	6.35	.375	9.53	.500	12.70	100
UP000-04	Clear	.344	8.74	.500	12.70	.813	20.65	100
UP00-04	Purple	.406	10.31	.594	15.09	1.000	25.40	100
UP108-04	Light Green	.438	11.13	.625	15.88	.875	22.23	100
UP0-04	Pink	.500	12.70	.656	16.66	1.000	25.40	100
UP1-04	Black	.563	14.30	.750	19.05	1.000	25.40	100
UP2-04	Red	.625	15.88	.781	19.84	1.000	25.40	100
UP3-04	Yellow	.719	18.26	.938	23.83	1.000	25.40	100
UP4-04	Clear	.750	19.05	1.000	25.40	1.000	25.40	100
UP5-04	Light Green	.906	23.01	1.063	27.00	1.000	25.40	100
UP6-04	Dark Green	1.031	26.19	1.250	31.75	1.000	25.40	100
UP7-04	Light Blue	1.188	30.18	1.438	36.53	1.000	25.40	50
UP8-04	Clear	1.313	33.35	1.625	41.28	1.000	25.40	25
UP9-04	Red	1.469	37.31	1.750	44.45	1.000	25.40	25
UP10-04	Clear	1.625	41.28	1.969	50.01	1.000	25.40	25
UP11-04	Dark Blue	1.875	47.63	2.203	55.96	1.000	25.40	25
UP12-04	Red	2.125	53.98	2.500	63.50	1.000	25.40	25



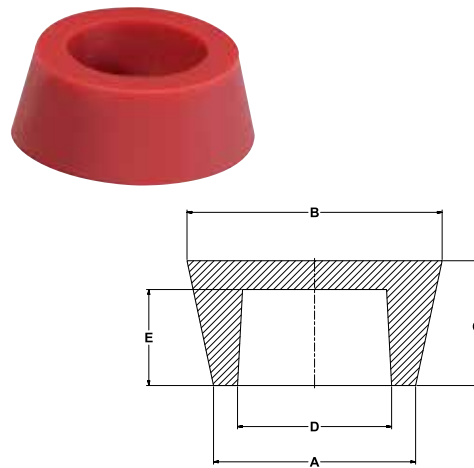
HUP-SH Series

Hollow Silicone Plugs

HUP-SH Series Ultrabake™ Hollow Silicone Plugs are designed to plug plain and threaded holes; they will mask off the hole and allow finishing up to it. Recommended for powder coating, e-coating, plating and anodizing.

- Recommended temperatures up to 600°F (315°C)
- Hollow to make it lighter and more conforming
- Tapered to fit into a range of hole sizes
- Reusable

Material: Silicone **Color:** See chart for color coding



Hollow Silicone Plugs HUP-SH Series

Caplugs No.	Color	Dimensions										Packaging Quantity Per Bag
		A		B		C		D		E		
		In	mm	In	mm	In	mm	In	mm	In	mm	
HUP5-04	Light Green	.906	23.01	1.063	27.00	1.000	25.40	.406	10.31	.750	19.05	100
HUP5.5-04	Pink	.959	24.36	1.109	28.17	1.000	25.40	.470	11.94	.700	17.78	100
HUP6-04	Dark Green	1.031	26.19	1.250	31.75	1.000	25.40	.531	13.49	.750	19.05	100
HUP6.5-04	Yellow	1.125	28.58	1.344	34.14	1.000	25.40	.600	15.24	.750	19.05	100
HUP7-04	Dark Blue	1.187	30.15	1.437	36.50	1.000	25.40	.531	13.49	.750	19.05	100
HUP7.5-04	White	1.187	30.15	1.500	38.10	1.000	25.40	.680	17.27	.750	19.05	100
HUP8-04	Light Blue	1.313	33.35	1.625	41.28	1.000	25.40	.813	20.65	.750	19.05	100
HUP8.5-04	Pink	1.406	35.71	1.688	42.88	1.000	25.40	.900	22.86	.750	19.05	100
HUP9-04	Red	1.469	37.31	1.750	44.45	1.000	25.40	.969	24.61	.750	19.05	100
HUP9.5-04	Dark Green	1.500	38.10	1.813	46.05	1.000	25.40	1.000	25.40	.750	19.05	50
HUP10-04	Clear	1.625	41.28	1.969	50.01	1.000	25.40	1.125	28.58	.750	19.05	50
HUP10.5-04	Yellow	1.750	44.45	2.080	52.83	1.000	25.40	1.200	30.48	.750	19.05	50
HUP11-04	Dark Blue	1.875	47.63	2.203	55.96	1.000	25.40	1.375	34.93	.750	19.05	50
HUP11.5-04	Dark Green	2.000	50.80	2.469	62.71	1.000	25.40	1.250	31.75	.625	15.88	50
HUP12-04	Red	2.126	54.00	2.500	63.50	1.000	25.40	1.375	34.93	.625	15.88	50
HUP13-04	Light Blue	2.281	57.94	2.687	68.25	1.000	25.40	1.531	38.89	.625	15.88	50
HUP13.5-04	Purple	2.437	61.90	2.953	75.01	1.375	34.93	1.687	42.85	1.000	25.40	50
HUP13.7-04	Light Green	2.677	68.00	3.228	81.99	1.500	38.10	1.677	42.60	1.000	25.40	10
HUP14-04	White	3.000	76.20	3.500	88.90	1.500	38.10	2.000	50.80	1.000	25.40	10
HUP15-04	Rusty Red	3.250	82.55	4.000	101.60	1.500	38.10	2.250	57.15	1.000	25.40	10
HUP16-04	Clear	3.500	88.90	5.000	127.00	2.000	50.80	2.500	63.50	1.500	38.10	5

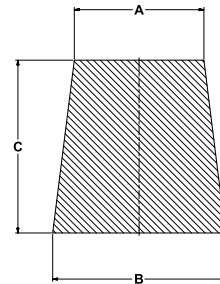
GN-SH Series

Green Neoprene Plugs

GN-SH Series Green Neoprene Plugs are best suited for painting and plating.

- Temperatures up to 350°F (177°C)
- Carbon-free
- Reusable

Material: Neoprene **Color:** Green



BN-SH Series

Black Neoprene Plugs

BN-SH Series Black Neoprene Plugs are best suited for painting, plating, anodizing and blasting.

- Temperatures up to 350°F (177°C)
- Contain carbon for conductivity
- Reusable

Material: Neoprene **Color:** Black

Green and Black Neoprene Plugs GN-SH and BN-SH Series

Caplugs No.		Dimensions						Packaging Quantity Per Bag
		A		B		C		
Green	Black	In	mm	In	mm	In	mm	
GN99	BN99	.031	.79	.125	3.18	.625	15.88	1000
GN100	BN100	.063	1.59	.125	3.18	.625	15.88	1000
GN101	BN101	.063	1.59	.188	4.76	.625	15.88	1000
GN102	BN102	.125	3.18	.250	6.35	.750	19.05	1000
GN103	BN103	.188	4.76	.344	8.73	.625	15.88	1000
GN104	BN104	.250	6.35	.375	9.53	.750	19.05	1000
GN105	BN105	.250	6.35	.375	9.53	.500	12.70	100
GN106	BN106	.344	8.73	.440	11.18	.688	17.46	100
GN000	BN000	.344	8.73	.500	12.70	.813	20.64	100
GN107	BN107	.320	8.13	.563	14.29	1.000	25.40	100
GN00	BN00	.406	10.32	.594	15.08	1.000	25.40	100
GN108	BN108	.438	11.11	.625	15.88	.813	20.64	100
GN109	BN109	.500	12.70	.656	16.67	1.000	25.40	100
GN110	BN110	.563	14.29	.750	19.05	1.000	25.40	100
GN111	BN111	.625	15.88	.781	19.84	1.000	25.40	100
GN112	BN112	.719	18.26	.938	23.81	1.000	25.40	100
GN114	BN114	.750	19.05	1.000	25.40	1.000	25.40	100
GN116	BN116	.906	23.02	1.063	27.00	1.000	25.40	100
GN118	BN118	1.031	26.19	1.250	31.75	1.000	25.40	100
GN120	BN120	1.188	30.18	1.438	36.53	1.000	25.40	100
GN122	BN122	1.347	34.21	1.660	42.16	1.000	25.40	50
GN124	BN124	1.469	37.31	1.750	44.45	1.000	25.40	50
GN126	BN126	1.625	41.28	1.969	50.01	1.000	25.40	50
GN128	BN128	1.875	47.63	2.203	55.96	1.000	25.40	25
GN129	BN129	2.000	50.80	2.469	62.71	1.000	25.40	25
GN130	BN130	2.125	53.98	2.525	64.14	1.000	25.40	25
GN132	BN132	2.281	57.94	2.688	68.28	1.000	25.40	25
GN133	BN133	2.438	61.93	2.953	75.01	1.469	37.31	1
GN134	BN134	3.000	76.20	3.500	88.90	1.500	38.10	1
GN136	BN136	3.250	82.55	4.040	102.62	1.500	38.10	1
GN138	BN138	3.500	88.90	5.070	128.78	2.000	50.80	1



HWP-SH Series

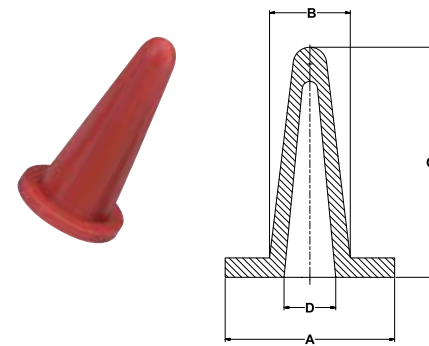
Hollow Washer Plugs HWP-SH Series

Hollow Washer Plugs

HWP-SH Ultrabake™ Silicone Hollow Washer Plugs are designed to plug plain and threaded holes; they will mask off the hole and leave a circular grounding or earthing area around threaded and through holes. Recommended for powder coating, e-coating, plating and anodizing.

- Recommended temperatures up to 600°F (315°C)
- Hollow to make it lighter and more conforming
- Washer design eliminates the need for two-stage masking
- Reusable

Material: Silicone **Color:** See chart for color coding
Optional Color: White



Caplugs No.	Color	Dimensions								Packaging Quantity Per Bag
		A		B		C		D		
		In	mm	In	mm	In	mm	In	mm	
HWP-0330	Clear	.492	12.50	.248	6.30	.906	23.00	.130	3.30	200
HWP-0450	Black	.630	16.00	.335	8.50	.984	25.00	.177	4.50	200
HWP-0500	Yellow	.650	16.51	.394	10.00	1.102	28.00	.197	5.00	200
HWP-0800	Dark Blue	.748	19.00	.551	14.00	1.417	36.00	.315	8.00	200
HWP-1150	Purple	.984	25.00	.689	17.50	1.496	38.00	.453	11.50	200
HWP-1350	Rusty Red	1.102	28.00	.768	19.50	2.008	51.00	.531	13.50	100
HWP-1480	Grey	1.000	25.40	.819	20.80	1.929	49.00	.583	14.80	100
HWP-1600	Clear	1.220	30.99	.866	22.00	2.087	53.00	.630	16.00	100



MSP-SH Series

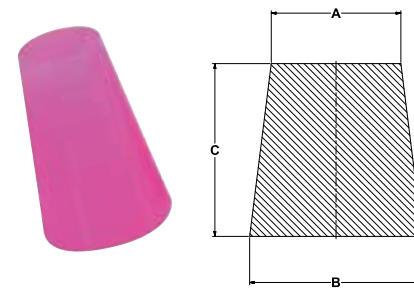
Extra Long Silicone Plugs MSP-SH Series

Extra Long Silicone Plugs

MSP-SH Series Ultrabake™ Silicone Plugs are designed to plug plain and threaded holes; they will mask off the hole and allow finishing up to it. Recommended for powder coating, e-coating, plating and anodizing.

- Recommended temperatures up to 600°F (315°C)
- Highly versatile
- Reusable

Material: Silicone **Color:** See chart for color coding



Caplugs No.	Color	Dimensions						Packaging Quantity Per Bag
		A		B		C		
		In	mm	In	mm	In	mm	
MSP101L	Dark Green	.062	1.57	.187	.750	4.75	19.05	1000
MSP102L	Yellow	.125	3.18	.250	6.35	1.000	25.40	1000
MSP103L	Clear	.187	4.75	.343	8.71	1.000	25.40	1000
MSP104L	Red	.250	6.35	.437	11.10	1.000	25.40	1000
MSP105L	White	.316	8.03	.557	14.15	1.000	25.40	500
MSP106L	Pink	.437	11.10	.687	17.45	1.000	25.40	500
MSP107L	Clear	.562	14.27	.750	19.05	1.000	25.40	250
MSP108L	Clear	.625	15.88	.800	20.32	1.000	25.40	250
MSP109L	Clear	.750	19.05	.925	23.50	1.000	25.40	250

MPP-SH Series

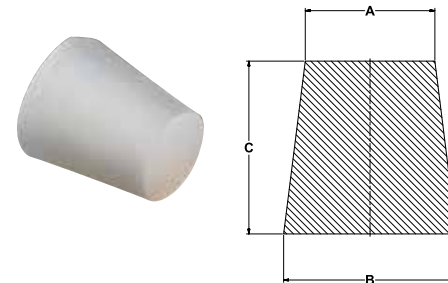
Multi-purpose Plugs MPP-SH Series

Multi-purpose Plugs

Designed to plug plain and threaded holes; they will mask off the hole and allow finishing up to it. Recommended for various processes based upon materials.

- MPP are multi-purpose plugs
- SM/CM are micro plugs
- Recommended temperatures vary

Material: Various **Color:** Various



Caplugs No.	Temperature Limit	Dimensions						Packaging Quantity Per Bag
		A		B		C		
		In	mm	In	mm	In	mm	
MPP-UB	600°F (315°C)	.125	3.18	.375	9.53	1.250	31.75	500
MPP-BR	150°F (65°C)	.125	3.18	.375	9.53	1.250	31.75	500
MPP-SP	600°F (315°C)	.125	3.18	.500	12.70	2.000	50.80	500
MPP-GN	350°F (177°C)	.125	3.18	.500	12.70	2.000	50.80	500
SM10	600°F (315°C)	.016	.41	.062	1.57	.625	15.88	500
CM10	300°F (149°C)	.016	.41	.062	1.57	.625	15.88	500
SM30	600°F (315°C)	.020	.51	.078	1.98	1.000	25.40	500
CM30	300°F (149°C)	.020	.51	.078	1.98	1.000	25.40	500

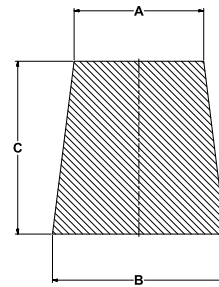
RCK-SH and SCK-SH Series

Cork Plugs

RCK-SH and SCK-SH Series Cork Plugs are used to plug and mask plain holes. Recommended for painting applications, but may also be used to protect during plating, anodizing and blasting processes. Also good for protection during transportation. Corks can be used on plain and threaded bores.

- Recommended temperatures up to 300°F (149°C)
- Can be cut to desired length
- Reusable depending on application
- RC = regular cork, SC = short cork

Material: Cork **Color:** Natural



Cork Plugs RCK-SH and SCK-SH Series

Caplugs No.	Dimensions						Packaging
	A		B		C		Quantity
	In	mm	In	mm	In	mm	
RC0000	.093	2.38	.187	4.76	.500	12.70	1000
RC000	.156	3.97	.250	6.35	.500	12.70	1000
RC00	.218	5.56	.312	7.94	.500	12.70	1000
SC0	.234	5.95	.312	7.94	.375	9.53	1000
RC0	.281	7.14	.375	9.53	.500	12.70	1000
RC1	.328	8.33	.437	11.11	.625	15.88	1000
SC1	.343	8.73	.437	11.11	.500	12.70	1000
RC2	.375	9.53	.500	12.70	.689	17.46	1000
SC2	.406	10.32	.500	12.70	.500	12.70	1000
RC3	.421	10.72	.562	14.29	.750	19.05	1000
SC3	.468	11.91	.562	14.29	.500	12.70	1000
RC4	.468	11.91	.625	15.88	.8125	20.64	1000
SC4	.531	13.49	.625	15.88	.500	12.70	1000
RC5	.531	13.49	.687	17.46	.875	22.23	1000
SC5	.562	14.29	.687	17.46	.625	15.88	1000
RC6	.5781	14.68	.750	19.05	.938	23.81	1000
SC6	.625	15.88	.750	19.05	.6250	15.88	1000
RC7	.625	15.88	.812	20.64	1.000	25.40	1000
SC7	.671	17.07	.812	20.64	.750	19.05	1000
RC8	.671	17.07	.875	22.23	1.063	26.99	1000
SC8	.734	18.65	.875	22.23	.750	19.05	1000
RC9	.734	18.65	.937	23.81	1.125	28.58	100
SC9	.796	20.24	.937	23.81	.750	19.05	100
RC10	.765	19.45	1.000	25.40	1.250	31.75	100
SC10	.812	20.64	1.000	25.40	1.000	25.40	100
RC11	.828	21.03	1.062	26.99	1.250	31.75	100
RC12	.890	22.62	1.125	28.58	1.250	31.75	100
RC13	.953	24.21	1.187	30.16	1.250	31.75	100
RC14	1.015	25.80	1.250	31.75	1.250	31.75	100
RC15	1.078	27.38	1.312	33.34	1.250	31.75	100
RC16	1.093	27.78	1.375	34.93	1.500	38.10	100
RC17	1.156	29.37	1.437	36.51	1.500	38.10	100
RC18	1.218	30.96	1.500	38.10	1.500	38.10	100
RC19	1.281	32.54	1.562	39.69	1.500	38.10	100
RC20	1.343	34.13	1.625	41.28	1.500	38.10	100
RC22	1.468	37.31	1.750	44.45	1.500	38.10	100
RC24	1.593	40.48	1.875	47.63	1.500	38.10	100
RC26	1.718	43.66	2.000	50.80	1.500	38.10	100
RC28	1.843	46.83	2.1250	53.98	1.500	38.10	100
RC30	1.968	50.01	2.250	57.15	1.500	38.10	100



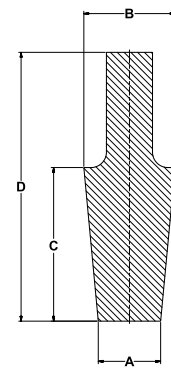
UPH-SH Series

Silicone Plugs with Handles

UPH-SH Series Ultrabake™ Silicone Plugs with Handles are designed to plug plain and threaded holes; they will mask off the hole and allow finishing up to it. The plugs have a handle to ease and speed up insertion and removal. Recommended for powder coating, e-coating, plating and anodizing.

- Recommended temperatures up to 600°F (315°C)
- Tapered to fit into a range of hole sizes
- Reusable

Material: Silicone **Color:** See chart for color coding



Silicone Plugs with Handles UPH-SH Series

Caplugs No.	Color	Dimensions								Packaging Quantity Per Bag
		A		B		C		D		
		In	mm	In	mm	In	mm	In	mm	
UP99-H	Clear	.031	.79	.125	3.18	.625	15.88	1.000	25.40	1000
UP100-H	Light Green	.063	1.60	.125	3.18	.625	15.88	1.000	25.40	1000
UP101-H	Pink	.063	1.60	.188	4.78	.625	15.88	1.130	28.70	1000
UP102-H	Black	.125	3.18	.250	6.35	.750	19.05	1.250	31.75	1000
UP103-H	Dark Red	.188	4.78	.344	8.74	.625	15.88	1.130	28.70	1000
UP104-H	Yellow	.250	6.35	.375	9.53	.750	19.05	1.250	31.75	100
UP105-H	White	.250	6.35	.375	9.53	.500	12.70	1.000	25.40	100
UP00-H	Purple	.406	10.31	.594	15.09	1.000	25.40	1.750	44.45	100
UP108-H	Light Green	.438	11.13	.625	15.88	.875	22.23	1.625	41.28	100
UP0-H	Pink	.500	12.70	.656	16.66	1.000	25.40	1.750	44.45	100
UP2-H	Red	.625	15.88	.781	19.84	1.000	25.40	1.750	44.45	100
UP3-H	Yellow	.719	18.26	.938	23.83	1.000	25.40	1.750	44.45	100
UP4-H	Clear	.750	19.05	1.000	25.40	1.000	25.40	1.750	44.45	100



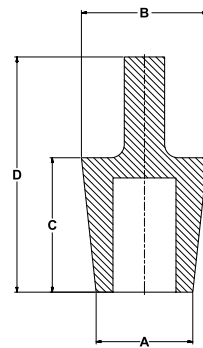
HUPH-SH Series

Hollow Silicone Plugs with Handles

HUPH-SH Series Ultrabake™ Hollow Silicone Plugs with Handles plug plain and threaded holes. The plugs have a handle to ease and speed up insertion and removal. Recommended for powder coating, e-coating, plating and anodizing.

- Recommended temperatures up to 600°F (315°C)
- Hollow to make it lighter and more conforming
- Tapered to fit into a range of hole sizes
- Reusable

Material: Silicone **Color:** See chart for color coding



Hollow Silicone Plugs with Handles HUPH-SH Series

Caplugs No.	Color	Dimensions								Packaging Quantity Per Bag
		A		B		C		D		
		In	mm	In	mm	In	mm	In	mm	
HUP5-H	Light Green	.906	23.01	1.063	27.00	1.000	25.40	1.750	44.45	100
HUP6-H	Dark Green	1.031	26.19	1.250	31.75	1.000	25.40	1.750	44.45	100
HUP7-H	Dark Blue	1.187	30.15	1.437	36.50	1.000	25.40	1.750	44.45	50
HUP10-H	Clear	1.625	41.28	1.969	50.01	1.000	25.40	1.750	44.45	25
HUP11-H	Dark Blue	1.875	47.63	2.203	55.96	1.000	25.40	1.750	44.45	25

Caplugs has extensive custom rubber molded capabilities including:

- A full in-house team of design engineers
- Prototype delivery within 15 days
- PPAP process for accuracy



To learn more about our expertise and your perfect solution, see pages 14-15.



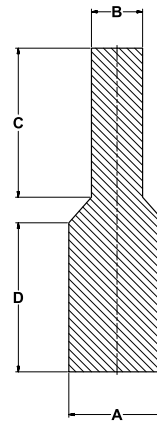
SPP-SH Series

Silicone Pull Plugs

SPP-SH Series Ultrabake™ Silicone Pull Plugs are designed for both threaded or non-threaded through holes of varying sizes. Recommended for powder coating, e-coating, plating and anodizing.

- For high-temperature processes up to 600°F (315°C)
- Reusable

Material: Silicone **Color:** See chart for color coding



PP-SH Series

EPDM Pull Plugs

PP-SH Series EPDM Pull Plugs are designed for both threaded or non-threaded through holes of varying sizes. Recommended for painting and anodizing.

- For processes up to 350°F (177°C)
- Reusable

Material: EPDM **Color:** Black



Pull Plugs SPP-SH and PP-SH Series

Caplugs No.	Color	Caplugs No. (Black)	Dimensions								Packaging Quantity Per Bag
			A		B		C		D		
			In	mm	In	mm	In	mm	In	mm	
SPP06	Clear	PP06	.062	1.57	.046	1.17	.315	8.00	.375	9.53	500
SPP07	Pink	PP07	.067	1.70	.047	1.19	.590	14.99	.625	15.88	500
SPP08	Light Green	PP08	.073	1.85	.046	1.17	.570	14.48	.612	15.54	500
SPP09	Yellow	PP09	.091	2.31	.052	1.32	.640	16.26	.625	15.88	500
SPP10	Grey	PP10	.093	2.36	.050	1.27	.680	17.27	.700	17.78	500
SPP11	Light Blue	PP11	.104	2.64	.062	1.57	.617	15.67	.525	13.34	500
SPP11A	White	PP11A	.125	3.18	.062	1.57	.620	15.75	.625	15.88	500
SPP14	Clear	PP14	.130	3.30	.093	2.36	.980	24.89	1.000	25.40	500
SPP15	Pink	PP15	.130	3.30	.093	2.36	.700	17.02	.650	16.51	500
SPP17	Light Green	PP17	.142	3.61	.085	2.16	.540	13.72	.625	15.88	500
SPP18	Yellow	PP18	.154	3.91	.083	2.11	.560	14.22	.632	16.05	500
SPP20	Grey	PP20	.156	3.96	.083	2.11	.625	15.88	.625	15.88	500
SPP22	Light Blue	PP22	.162	4.11	.096	2.44	.560	14.22	.625	15.88	500
SPP23	White	PP23	.195	4.95	.110	2.79	.580	14.73	.625	15.88	500
SPP30	Clear	PP30	.218	5.54	.130	3.30	.915	23.24	.970	24.64	500
SPP33	Pink	PP33	.225	5.72	.125	3.18	.930	23.62	1.000	25.40	500
SPP37	Light Green	PP37	.257	6.53	.130	3.30	.975	24.77	1.000	25.40	500
SPP40	Yellow	PP40	.275	6.99	.125	3.18	.870	22.10	.937	23.80	500
SPP42	Grey	PP42	.316	8.03	.152	3.86	.860	21.84	1.000	25.40	500
SPP42A	Light Blue	PP42A	.333	8.46	.251	6.38	1.080	27.43	.757	19.23	500
SPP43	White	PP43	.335	8.51	.153	3.89	1.000	25.40	1.000	25.40	500
SPP50	Clear	PP50	.350	8.89	.193	4.90	.810	20.57	.881	22.38	500
SPP55	Pink	PP55	.384	9.75	.154	3.91	.910	23.11	1.000	25.40	250
SPP60	Light Green	PP60	.408	10.36	.191	4.85	.990	25.15	1.009	25.63	250
SPP66	Yellow	PP66	.444	11.28	.255	6.48	.990	25.15	1.000	25.40	250
SPP67	Grey	PP67	.445	11.30	.255	6.48	.990	25.15	1.000	25.40	250
SPP70	Light Blue	PP70	.472	11.99	.243	6.17	1.000	25.40	1.000	25.40	250
SPP73	White	PP73	.496	12.60	.250	6.35	.910	23.11	1.000	25.40	250
SPP77	Clear	PP77	.510	12.95	.256	6.50	.790	20.07	1.000	25.40	250
SPP80	Pink	PP80	.530	13.46	.250	6.35	.990	25.15	1.000	25.40	250
SPP85	Light Green	PP85	.571	14.50	.303	7.70	.990	25.15	1.000	25.40	250
SPP89	Yellow	PP89	.612	15.54	.250	6.35	.970	24.64	1.000	25.40	250
SPP90	Grey	PP90	.640	16.26	.375	9.53	.980	24.89	1.000	25.40	100
SPP95	Light Blue	PP95	.707	17.96	.375	9.53	1.280	32.51	1.250	31.75	100
SPP97	White	PP97	.728	18.49	.375	9.53	1.100	27.94	1.125	28.58	100
SPP100	Clear	PP100	.770	19.56	.375	9.53	.947	24.05	1.000	25.40	100
SPP105	Pink	PP105	.807	20.50	.428	10.87	1.235	31.37	1.250	31.75	100
SPP110	Light Green	PP110	.888	22.56	.372	9.45	.990	25.15	1.000	25.40	100
SPP120	Yellow	PP120	1.020	25.91	.375	9.53	.950	24.13	1.000	25.40	100
SPP140	Grey	PP140	1.380	35.05	.732	18.59	1.500	38.10	1.500	38.10	50

Long Series

Caplugs No.	Color	Caplugs No. (Black)	Dimensions								Packaging Quantity Per Bag
			A		B		C		D		
			In	mm	In	mm	In	mm	In	mm	
SPP40LS	White	PP40LS	.275	6.99	.146	3.71	1.960	49.78	2.000	50.80	500
SPP55LS	Dark Blue	PP55LS	.384	9.75	.204	5.18	2.030	51.56	2.000	50.80	250
SPP73LS	Light Green	PP73LS	.496	12.60	.263	6.68	2.000	50.80	2.000	50.80	250
SPP89LS	Clear	PP89LS	.612	15.54	.325	8.26	2.000	50.80	2.000	50.80	250
SPP95LS	Dark Green	PP95LS	.707	17.96	.375	9.53	2.000	50.80	2.000	50.80	100
SPP100LS	Yellow	PP100LS	.770	19.56	.408	10.36	2.100	53.34	2.000	50.80	100

In-house custom rubber molded capabilities include:

- One-on-one collaboration with design engineers
- Experts in compression, transfer and injection molding
- In-house compound mixing and development



Your solution is waiting; find it on pages 14-15.



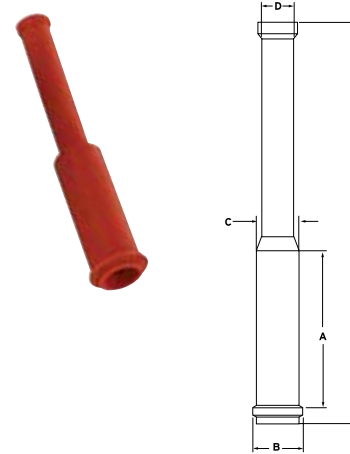
HFPP-SH Series

Hollow-Flanged Pull Plugs

HFPP-SH Ultrabake™ Hollow-Flanged Pull Plugs have a tapered design and hollow core to mask plain and threaded holes; they will mask off the hole and the first thread of a threaded hole. Recommended for powder coating, e-coating, plating and anodizing.

- Recommended temperatures up to 600°F (315°C)
- Two-stage - the large and small diameters help with insertion
- Hollow design allows faster cooling
- Reusable
- Easily removed with an ergonomic handle

Material: Silicone **Color:** See chart for color coding
Optional Colors: Clear, White



Hollow-Flanged Pull Plugs HFPP-SH Series

Caplugs No.	Color	Dimensions										Packaging Quantity Per Bag
		A		B		C		D		E		
		In	mm	In	mm	In	mm	In	mm	In	mm	
HFPP-M6	Blue	0.930	23.62	0.267	6.78	0.197	5.00	0.175	4.45	2.051	52.10	1000
HFPP-M8	Yellow	0.932	23.67	0.346	8.79	0.303	7.70	0.186	4.72	2.409	61.19	500
HFPP-M10	Rusty Red	1.000	25.40	0.440	11.18	0.335	8.51	0.280	7.11	2.484	63.09	500
HFPP-M12	Green	1.125	28.58	0.512	13.00	0.417	10.59	0.330	8.38	3.016	76.61	250
HFPP-M14	Blue	1.175	29.85	0.575	14.61	0.520	13.21	0.305	7.75	3.135	79.63	250
HFPP-M16	Light Grey	1.201	30.50	0.705	17.90	0.606	15.40	0.315	8.00	3.268	83.00	250
HFPP-M20	Yellow	1.250	31.75	0.800	20.32	0.675	17.15	0.510	12.95	3.370	85.60	250



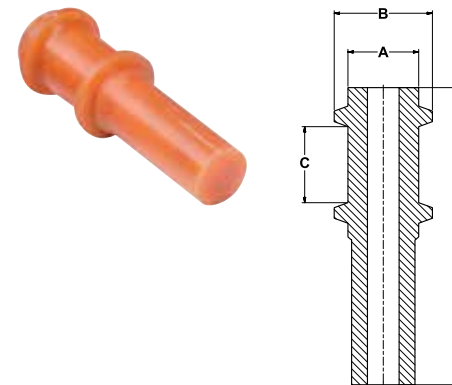
DFPP-SH Series

Dual-Flanged Pull Plugs

DFPP-SH Series Dual-Flanged Pull Plugs are designed for weld nuts of varying thread sizes. Recommended for powder coating, e-coating, plating and anodizing.

- For high-temperature processes up to 600°F (315°C)
- Masks off chamfer, first thread and last thread
- Will not blow out due to air pressure
- Reusable

Material: Silicone **Color:** See chart for color coding
Optional Color: Clear



Dual-Flanged Pull Plugs DFPP-SH Series

Caplugs No.	Color	Thread Size	Dimensions								Packaging Quantity Per Bag
			A		B		C		D		
			In	mm	In	mm	In	mm	In	mm	
DFPP-M6	Dark Green	M6	.197	5.00	.307	7.80	.268	6.81	1.299	32.99	1000
DFPP-M8	Rusty Red	M8	.264	6.71	.374	9.50	.311	7.90	1.339	34.01	1000
DFPP-M10	Dark Green	M10	.335	8.51	.445	11.30	.354	8.99	1.378	35.00	500
DFPP-M12	Purple	M12	.406	10.31	.512	13.00	.457	11.61	1.772	45.01	250
DFPP-M16	White	M16	.531	13.49	.669	16.99	.551	14.00	1.969	50.01	250
DFPP-M20	Dark Blue	M20	.669	16.99	.827	21.01	.709	18.01	2.283	57.99	100



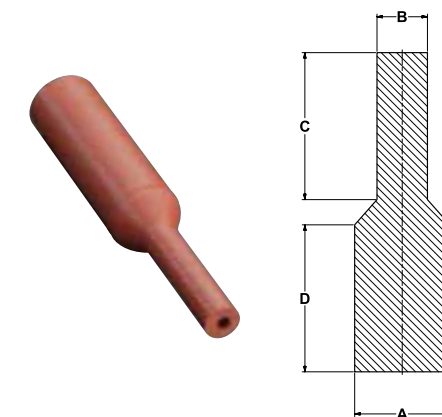
SHPP-SH Series

Silicone Hollow Pull Plugs

SHPP-SH Series Ultrabake™ Silicone Hollow Pull Plugs are designed for both threaded or non-threaded through holes of varying sizes. Larger than our standard Silicone Pull Plug line, this range of pull plugs is hollowed out, making them lighter and more conformable. Recommended for powder coating, e-coating, plating and anodizing.

- For high-temperature processes up to 600°F (315°C)
- Hollow to make it lighter and more conforming
- Reusable

Material: Silicone **Color:** See chart for color coding



Silicone Hollow Pull Plugs SHPP-SH Series

Caplugs No.	Color	Bushing Size	Dimensions								Packaging Each
			A		B		C		D		
			In	mm	In	mm	In	mm	In	mm	
SHPP-.92X2.28HK	Dark Blue	21	.916	23.27	.865	21.97	1.654	42.01	2.283	57.99	1
SHPP-1.04X1.79	Black	25	1.044	26.52	.911	23.14	1.76	44.7	1.789	45.44	1
SHPP-1.24X3.38	Rusty Red	30	1.242	31.55	.616	15.65	2.375	60.33	3.376	85.75	1
SHPP-1.44X3.50	Blue	35	1.435	36.45	.565	14.35	2.95	74.93	3.5	88.9	1
SHPP-1.44X6.46	Dark Green	35	1.437	36.5	.926	23.52	7.063	179.4	6.457	164.01	1
SHPP-1.62X4.51	Black	40	1.618	41.1	4.51	114.55	9.072	230.43	3.95	100.33	1
SHPP-1.64X3.12	Green	40	1.637	41.58	.65	16.51	2.468	62.69	3.12	79.25	1
SHPP-1.81X4.06	Long Green	45	1.814	46.08	4.064	103.23	8.235	209.17	3.54	89.92	1
SHPP-1.83X4.13	Dark Blue	45	1.831	46.51	1.441	36.6	3.346	84.99	4.139	105.13	1
SHPP-1.83X6.69	Dark Blue	45	1.831	46.51	1.441	36.6	6.693	170	6.693	170	1
SHPP-2.01X2.75	Rusty Red	50	2.01	51.05	2.75	69.85	5.176	131.47	1.75	44.45	1
SHPP-2.23X3.50	Yellow	55	2.232	56.69	.804	20.42	3.06	77.72	3.499	88.87	1
SHPP-2.42X6.61	Rusty Red	60	2.419	61.44	2.028	51.51	5.827	148.01	6.614	168	1
SHPP-25MMX125MM	Dark Green	25	1.044	26.51	.926	23.51	5.28	134.11	4.741	120.43	1



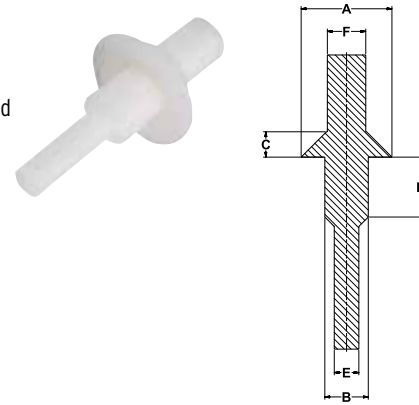
UWPP-SH Series

Silicone Washer Pull Plugs

UWPP-SH Series Ultrabake™ Silicone Washer Pull Plugs are designed to mask plain and threaded holes; they will mask off the hole and leave a circular grounding or earthing area around the hole. Recommended for powder coating, e-coating, plating and anodizing.

- For high-temperature processes up to 600°F (315°C)
- Washer design eliminates the need for two-stage masking
- Washer is dual-purpose designed to be used with counter sunk holes to mask off the faces of the counter sink
- Reusable

Material: Silicone **Color:** See chart for color coding



Silicone Washer Pull Plugs UWPP-SH Series

Caplugs No.	Color	Thread Size	Dimensions												Packaging Quantity Per Bag
			A		B		C		D		E		F		
			In	mm	In	mm	In	mm	In	mm	In	mm	In	mm	
UWPP-M3	Dark Blue	M3	.394	10.00	.105	2.67	.107	2.72	.390	9.91	.060	1.52	.090	2.29	250
UWPP-M4	Dark Green	M4	.394	10.00	.140	3.56	.107	2.72	.390	9.91	.080	2.03	.120	3.05	250
UWPP-M5	Clear	M5	.394	10.00	.176	4.47	.107	2.72	.390	9.91	.100	2.54	.150	3.81	250
UWPP-M6	White	M6	.591	15.01	.211	5.36	.165	4.19	.390	9.91	.120	3.05	.180	4.57	250
UWPP-M8	Grey	M8	.591	15.01	.283	7.19	.165	4.19	.390	9.91	.161	4.09	.240	6.10	250
UWPP-M10	Yellow	M10	.787	19.99	.375	9.53	.210	5.33	.390	9.91	.214	5.44	.320	8.13	100
UWPP-M12	Pink	M12	.787	19.99	.428	10.87	.210	5.33	.390	9.91	.244	6.20	.360	9.14	100
UWPP-500	Pink	10-24	.500	12.70	.167	4.24	.107	2.72	.390	9.91	.095	2.41	.140	3.56	250
UWPP-562	Yellow	12-24	.562	14.27	.193	4.90	.107	2.72	.390	9.91	.110	2.79	.160	4.06	250
UWPP-625	Green	1/4-20	.625	15.88	.225	5.72	.107	2.72	.390	9.91	.128	3.25	.190	4.83	250
UWPP-688	Clear	5/16-18	.688	17.48	.284	7.21	.165	4.19	.390	9.91	.162	4.11	.240	6.10	250
UWPP-812	Grey	3/8-16	.812	20.62	.342	8.69	.165	4.19	.390	9.91	.195	4.95	.290	7.37	100
UWPP-922	White	7/16-14	.922	23.42	.400	10.16	.210	5.33	.390	9.91	.228	5.79	.340	8.64	100
UWPP-1060	Dark Blue	1/2-13	1.060	26.92	.459	11.66	.210	5.33	.390	9.91	.262	6.65	.390	9.91	100



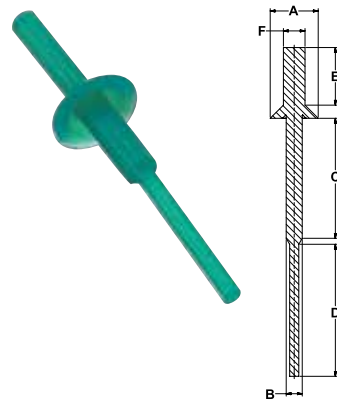
UWPPLS-SH Series

Silicone Washer Pull Plugs - Long Series

UWPPLS Series Ultrabake™ Silicone Washer Pull Plugs – Long Series are designed to mask plain and threaded holes; they will mask off the hole and leave a circular grounding or earthing area around the hole. Recommended for powder coating, e-coating, plating and anodizing.

- For high-temperature processes up to 600°F (315°C)
- Washer design eliminates the need for two-stage masking
- Washer is dual-purpose designed to be used with counter sunk holes to mask off the faces of the counter sink
- Long series for harder to reach areas
- Reusable

Material: Silicone **Color:** See chart for color coding



Silicone Washer Pull Plugs - Long Series UWPPLS-SH Series

Caplugs No.	Color	Dimensions												Packaging Quantity Per Bag
		A		B		C		D		E		F		
		In	mm	In	mm	In	mm	In	mm	In	mm	In	mm	
UWPP-M4LS	Blue	.394	10.01	.140	3.56	.875	22.23	1.000	25.40	.520	13.21	.190	4.83	250
UWPP-500LS	Green	.500	12.70	.167	4.24	1.125	28.58	1.375	34.93	.600	15.24	.225	5.72	250
UWPP-562LS	Black	.562	14.70	.193	4.90	1.500	38.10	1.250	31.75	.650	16.51	.225	5.72	250
UWPP-M6LS	Rusty Red	.591	15.01	.211	5.36	1.500	38.10	1.750	44.45	.610	15.49	.250	6.35	250



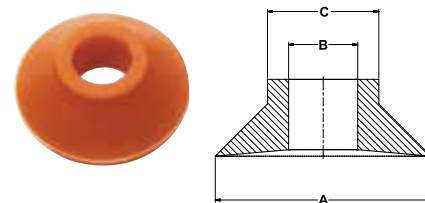
UWM-SH Series

Silicone Washer Masks (to be used with UWPP & UWPPLS Series)

UWM-SH Series Ultrabake™ Washer Masks are designed to cover plain and threaded studs. They will mask off the stud and allow finishing up to the stud.

- For high-temperature processes up to 600°F (315°C)
- Reusable

Material: Silicone **Color:** See chart for color coding



Silicone Washer Masks (to be used with UWPP & UWPPLS Series) UWM-SH Series

Caplugs No.	Color	To Fit Pull Plug	Dimensions						Packaging Quantity Per Bag
			A		B		C		
			In	mm	In	mm	In	mm	
UWM-128	Blue	UWPP-M4LS	.394	10.01	.128	3.25	.210	5.33	500
UWM-150	Green	UWPP-500LS	.500	12.70	.150	3.81	.310	7.87	500
UWM-180	Black	UWPP-562LS	.562	14.27	.180	4.57	.290	7.37	500
UWM-200	Rusty Red	UWPP-M6LS	.591	15.01	.200	5.08	.310	7.87	500



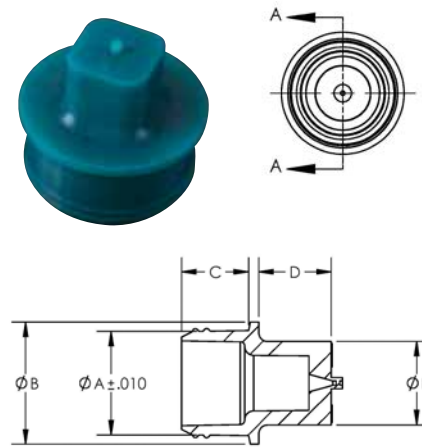
PTM-SH Series

Silicone Cap/Plugs

PTM-SH Series Ultrabake™ Silicone Cap/Plugs are designed to be used during the coating of pipes in the pipe fabrication and coating industries. This series was developed to mask the internally threaded ends of tubing to prevent the coating from getting inside.

- Tear-away venting nipple allows for a pressure release during the curing process
- Stays water-tight if not removed
- Outer rib for extra hold against threading on inside pipe
- Ergonomic handle design
- Recommended temperatures up to 600° F (315° C)

Material: Silicone **Color:** See chart for color coding



Silicone Cap/Plugs PTM-SH Series

Caplugs No.	Color	Dimensions										Packaging Quantity
		A		B		C		D		E		
		In	mm	In	mm	In	mm	In	mm	In	mm	
PTM-1/2	Pink	.721	18.31	.886	22.50	.600	15.24	.65	16.51	.55	13.97	100
PTM-3/4	Yellow	.930	23.62	1.095	27.81	.600	15.24	.65	16.51	.75	19.05	100
PTM-1	Clear	1.165	29.59	1.383	35.13	.700	17.78	.65	16.51	.75	19.05	50
PTM-1 1/4	Dark Green	1.517	38.53	1.703	43.26	.750	19.05	.65	16.51	.75	19.05	50
PTM-1 1/2	White	1.751	44.48	1.971	50.06	.725	18.42	.65	16.51	.75	19.05	50
PTM-2	Dark Blue	2.224	56.49	2.440	61.98	.725	18.42	.65	16.51	.75	19.05	25
PTM-3	Dark Red	3.294	83.67	3.510	89.15	.725	18.42	.65	16.51	1.25	31.75	25



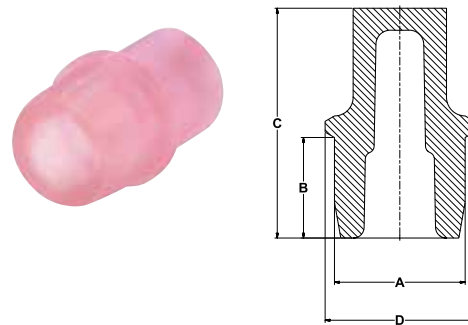
UTM-SH Series

Silicone Thread Masks

UTM-SH Series Ultrabake™ Thread Masks are designed to mask threaded holes; they will mask off the hole and the first thread of the hole. Recommended for powder coating, e-coating, plating and anodizing.

- Recommended temperatures up to 600°F (315°C)
- Available in standard shallow design for blind holes and a Long Series for longer sealing areas
- Reusable

Material: Silicone **Color:** See chart for color coding



Silicone Thread Masks UTM-SH Series

Caplugs No.	Color	Dimensions								Packaging Quantity Per Bag
		A		B		C		D		
		In	mm	In	mm	In	mm	In	mm	
UTM-1/4-20	Yellow	.218	5.54	.200	5.08	.450	11.43	.260	6.60	500
UTM-5/16-18	Light Green	.278	7.06	.200	5.08	.500	12.70	.320	8.13	500
UTM-3/8-16	White	.336	8.53	.250	6.35	.600	15.24	.385	9.78	500
UTM-1/2-13	Clear	.451	9.96	.350	8.89	.750	19.05	.510	11.18	250
UTM-7/16-14	Pink	.392	11.46	.350	8.89	.750	19.05	.440	12.95	250
UTM-M6*1	Clear	.208	5.28	.197	5.00	.551	14.00	.248	6.30	500
UTM-M8*1.25	Dark Blue	.28	7.193	.197	5.00	.482	12.24	.331	8.41	500
UTM-M10*1.5	Pink	.358	9.09	.276	7.01	.630	16.00	.409	10.39	250
UTM-M12*1.75	Rusty Red	.426	10.82	.346	8.79	.792	20.12	.489	12.42	250
UTM-M16*2	Light Green	.583	14.81	.433	11.00	.906	23.01	.654	16.61	100
UTM-M20*2.5	Yellow	.724	18.39	.512	13.00	1.122	28.50	.811	20.60	100

Silicone Thread Masks - Long Series

Caplugs No.	Color	Dimensions								Packaging Quantity Per Bag
		A		B		C		D		
		In	mm	In	mm	In	mm	In	mm	
UTM-1/4-20LS	Yellow	.218	5.54	.279	7.09	.922	23.42	.260	6.60	500
UTM-1/4-36LS	Dark Blue	.232	5.54	.270	6.86	.922	23.42	.260	6.60	500
UTM-5/16-18LS	Light Green	.278	7.06	.279	7.09	.894	22.71	.320	8.13	500
UTM-5/16-40LS	Rusty Red	.296	7.06	.279	7.09	.894	22.71	.320	8.13	250
UTM-3/8-16LS	White	.336	8.53	.329	8.36	.994	25.25	.385	9.78	250
UTM-3/8-36LS	Yellow	.357	8.53	.329	8.36	.994	25.25	.385	9.78	250
UTM-M3*0.5LS	Red	.107	2.72	.210	5.33	.820	20.83	.138	3.51	1000
UTM-M4*0.7LS	Pink	.141	3.59	.230	5.84	.860	21.84	.161	4.09	1000
UTM-M5*0.8LS	Purple	.178	4.52	.220	5.59	.820	20.83	.207	5.26	500
UTM-M6*1LS	Clear	.208	5.28	.295	7.49	.964	24.49	.248	6.30	500
UTM-M8*1.25LS	Dark Blue	.283	7.19	.295	7.49	.896	22.76	.331	8.41	500
UTM-M10*1.5LS	Pink	.358	9.09	.276	7.01	.945	24.00	.409	10.39	250
UTM-M24*2LS	Grey	.896	22.76	.630	16.00	1.490	37.85	.947	24.05	250



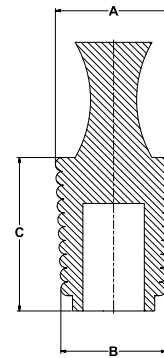
UFP-SH Series

Silicone Flangeless Plugs

UFP-SH Series Ultrabake™ Silicone Flangeless Plugs have a tapered design and hollow core to allow a single plug to be used in both threaded or non-threaded holes of varying sizes. Recommended for powder coating, e-coating, plating and anodizing.

- Recommended temperatures up to 600°F (315°C)
- Protect threaded holes without masking surrounding area
- Reusable

Material: Silicone **Color:** See chart for color coding
Optional Color: White



Silicone Flangeless Plugs UFP-SH Series

Caplugs No.	Color	Dimensions						Packaging Quantity Per Bag
		A		B		C		
		In	mm	In	mm	In	mm	
UFP00250	Clear	.230	5.84	.157	3.99	1.000	25.40	250
UFP00312	Black	.315	8.00	.221	5.61	1.000	25.40	250
UFP00406	Yellow	.380	9.65	.315	8.00	1.000	25.40	250
UFP00468	Clear	.470	11.94	.380	9.65	1.000	25.40	250
UFP00562	Light Blue	.575	14.61	.480	12.19	1.000	25.40	250
UFP00625	Purple	.630	16.00	.536	13.61	1.000	25.40	250
UFP00718	Rusty Red	.709	18.00	.630	16.00	1.000	25.40	250
UFP00787	Light Green	.787	19.99	.709	18.00	1.000	25.40	100
UFP00866	Grey	.866	22.00	.787	19.00	1.000	25.40	100
UFP00945	Clear	.945	24.00	.866	22.00	1.000	25.40	100
UFP01024	Black	1.024	26.00	.945	24.00	1.000	25.40	100
UFP01102	Dark Green	1.102	28.00	1.024	26.00	1.000	25.40	100
UFP01134	Purple	1.147	29.13	1.063	27.00	1.000	25.40	50
UFP01178	Light Blue	1.181	30.00	1.102	27.99	1.000	25.40	50
UFP01216	Rusty Red	1.220	31.01	1.142	29.01	1.000	25.40	50
UFP01234	Yellow	1.256	31.90	1.181	30.00	1.000	25.40	50

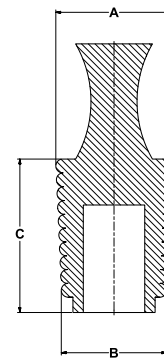
FP-SH Series

Oil-Resistant Rubber Flangeless Plugs

FP-SH Series Flangeless Plugs have a tapered design and hollow core to allow a single plug to be used in both threaded or non-threaded holes of varying sizes. Recommended for plating, painting and anodizing.

- Recommended temperatures up to 250°F (121°C)
- Protect threaded holes without masking surrounding area
- Reusable

Material: Nitrile-Butadiene Rubber **Color:** Black



Oil-Resistant Rubber Flangeless Plugs FP-SH Series

Caplugs No.	Dimensions						Packaging Quantity Per Bag
	A		B		C		
	In	mm	In	mm	In	mm	
FP00250	.230	5.84	.157	3.99	1.000	25.40	250
FP00312	.315	8.00	.221	5.61	1.000	25.40	250
FP00406	.380	9.65	.315	8.00	1.000	25.40	250
FP00468	.470	11.94	.380	9.65	1.000	25.40	250
FP00562	.575	14.61	.480	12.19	1.000	25.40	250
FP00625	.630	16.00	.536	13.61	1.000	25.40	250
FP00718	.709	18.00	.630	16.00	1.000	25.40	250
FP00787	.787	19.99	.709	18.00	1.000	25.40	100
FP00866	.866	22.00	.787	19.00	1.000	25.40	100
FP00945	.945	24.00	.866	22.00	1.000	25.40	100
FP01024	1.024	26.00	.945	24.00	1.000	25.40	100
FP01102	1.102	28.00	1.024	26.00	1.000	25.40	100



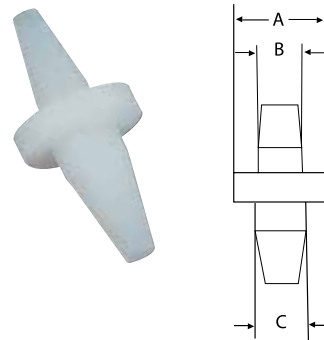
SWP Series

Silicone Washer Plugs

SWP Series Ultrabake™ Silicone Washer Plugs are designed for masking around a hole for grounding purposes or can be used as dual plugs.

- Temperature-resistant up to 600°F (315°C)

Material: Silicone **Color:** Natural



Silicone Washer Plugs SWP Series

Caplugs No.	Dimensions						Packaging	
	A		B		C		Carton Quantity	Mini Pak Quantity
	In	mm	In	mm	In	mm		
SWP-130-250-140	.250	6.35	.130	3.30	.140	3.56	1000	200
SWP-140-250-180	.250	6.35	.140	3.56	.180	4.57	1000	200
SWP-130-312-150	.312	7.92	.130	3.30	.150	3.81	1000	200
SWP-140-312-180	.312	7.92	.140	3.56	.180	4.57	1000	200
SWP-155-312-230	.312	7.92	.155	3.94	.230	5.84	500	100
SWP-200-312-230	.312	7.92	.200	5.08	.230	5.84	500	100
SWP-130-375-150	.375	9.53	.130	3.30	.150	3.81	1000	200
SWP-140-375-200	.375	9.53	.140	3.56	.200	5.08	500	100
SWP-180-375-180	.375	9.53	.180	4.57	.180	4.57	500	100
SWP-238-375-250	.375	9.53	.238	6.05	.250	6.35	500	100
SWP-238-500-250	.500	12.70	.238	6.05	.250	6.35	250	50
SWP-275-500-375	.500	12.70	.275	6.99	.375	9.53	250	50



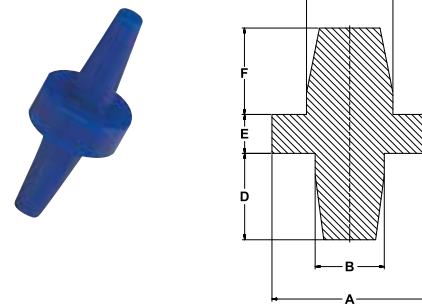
UW-SH Series

Silicone Washer Plugs

UW-SH Series Ultrabake™ Silicone Washer Plugs are designed to plug plain and threaded holes; they will mask off the hole and leave a circular grounding or earthing area around threaded and through holes. Recommended for powder coating, e-coating, plating and anodizing.

- Recommended temperatures up to 600°F (315°C)
- Dual-purpose two-sided design to fit two hole sizes
- Washer design eliminates the need for two-stage masking
- Reusable

Material: Silicone **Color:** See chart for color coding
Optional Color: White



Silicone Washer Plugs UW-SH Series

Caplugs No.	Color	Dimensions										Packaging		
		A		B		C		D		E		F		Quantity Per Bag
		In	mm	In	mm	In	mm	In	mm	In	mm	In	mm	
UW-M3	Dark Green	.276	7.00	.110	2.79	.146	3.71	.220	5.59	.197	5.00	.291	7.39	1000
UW-M4	Pink	.354	8.99	.142	3.61	.185	4.70	.283	7.19	.197	5.00	.370	9.40	1000
UW-M5	Clear	.394	10.00	.177	4.50	.224	5.69	.354	8.99	.197	5.00	.449	11.40	1000
UW-M6	Red	.492	12.50	.209	5.31	.264	6.71	.417	10.59	.197	5.00	.528	13.41	500
UW-M8	Black	.669	16.99	.280	7.11	.343	8.71	.559	14.20	.197	5.00	.685	17.40	500
UW-M10	Yellow	.827	21.00	.378	9.60	.421	10.69	.756	19.20	.197	5.00	.843	21.41	250
UW-M12	Clear	.945	24.00	.429	10.90	.500	12.70	.858	21.79	.197	5.00	1.000	25.40	250
UW380	Yellow	.250	6.35	.096	2.44	.128	3.25	.348	8.84	.197	5.00	.504	12.80	1000
UW400	Black	.312	7.92	.134	3.40	.157	3.99	.490	12.45	.193	4.90	.502	12.75	1000
UW405	Clear	.319	8.10	.124	3.15	.252	6.40	.385	9.78	.217	5.51	.511	12.98	1000
UW410	Pink	.380	9.65	.137	3.48	.160	4.06	.454	11.53	.196	4.98	.507	12.88	1000
UW412	Red	.375	9.53	.198	5.03	.274	6.96	.492	12.50	.198	5.03	.500	12.70	500
UW415	Light Green	.502	12.75	.127	3.23	.186	4.72	.381	9.68	.202	5.13	.497	12.62	500
UW420	Dark Blue	.505	12.83	.244	6.20	.257	6.53	.509	12.93	.193	4.90	.516	13.11	500
UW440	Yellow	.625	15.88	.127	3.23	.256	6.50	.358	9.09	.191	4.85	.506	12.85	500



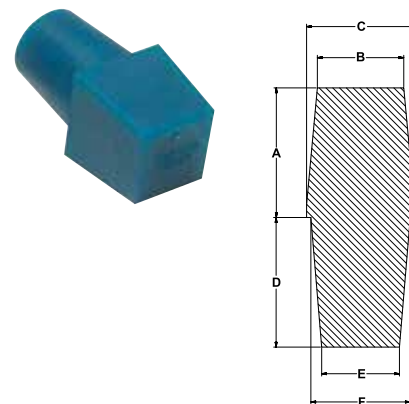
UDPP-SH Series

Silicone Dual-Purpose Plugs

UDPP-SH Series Ultrabake™ Dual-Purpose Plugs are designed to plug round or square, plain or threaded holes; they will mask off the hole and allow finishing up to it. Recommended for powder coating, e-coating, plating and anodizing.

- Recommended temperatures up to 600°F (315°C)
- Hole can be round or square. One side of this plug is round and the other side is square
- Tapered to fit into a range of hole sizes
- Reusable

Material: Silicone **Color:** See chart for color coding



Silicone Dual-Purpose Plugs UDPP-SH Series

Caplugs No.	Color	Square End Dimensions						Round End Dimensions						Packaging Carton Quantity
		A Length		B Minimum		C Maximum		D Length		E Minimum		F Maximum		
		In	mm	In	mm	In	mm	In	mm	In	mm	In	mm	
UDPP-0500	Purple	.625	15.88	.375	9.53	.500	12.70	.625	15.88	.375	9.53	.500	12.70	250
UDPP-0625	Rusty Red	.750	19.05	.500	12.70	.625	15.88	.750	19.05	.500	12.70	.625	15.88	100
UDPP-0750	Green	.750	19.05	.625	15.88	.750	19.05	.750	19.05	.625	15.88	.750	19.05	100
UDPP-1000	Rusty Red	1.000	25.40	.875	22.23	1.000	25.40	1.000	25.40	.875	22.23	1.000	25.40	100



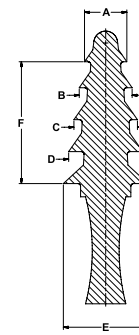
UMFP-SH Series

Silicone Multi-Flanged Plugs

UMFP-SH Series Ultrabake™ Silicone Multi-Flanged Plugs are designed to mask plain and threaded holes; they will mask off the hole and allow painting up to the hole. The fins on the plug are flexible so the plug can fit a range of holes. Recommended for powder coating, e-coating, plating and anodizing.

- Recommended temperatures up to 600°F (315°C)
- Raised handle makes the plug easier to see and easier to remove
- Reusable

Material: Silicone **Color:** See chart for color coding
Optional Colors: Clear, White



Silicone Multi-Flanged Plugs UMFP-SH Series

Caplugs No.	Color	Dimensions												Packaging Quantity Per Bag
		A		B		C		D		E		F Length		
		In	mm	In	mm	In	mm	In	mm	In	mm	In	mm	
UMFP-4-10	Blue	.157	4.00	.236	6.00	.315	8.00	.394	10.00	-	-	.539	13.70	250
UMFP-8-16	Rusty Red	.315	8.00	.394	10.00	.472	12.00	.551	14.00	.630	16.00	.906	23.00	100
UMFP-10-18	Green	.394	10.00	.472	12.00	.551	14.00	.630	16.00	.709	18.00	.894	22.70	100



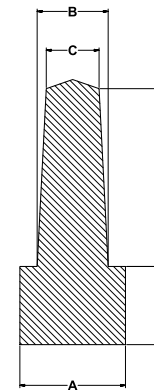
SP-SH Series

Silicone Step Plugs

SP-SH Series Ultrabake™ Silicone Step Plugs are designed to mask plain and threaded holes; they will mask off the hole and leave a circular grounding or earthing area around the hole. Recommended for powder coating, e-coating, plating and anodizing.

- For high-temperature processes up to 600°F (315°C)
- Wide handle design eliminates the need for two-stage masking
- Reusable

Material: Silicone **Color:** See chart for color coding
Optional Color: Clear



Silicone Step Plugs SP-SH Series

Caplugs No.	Color	Dimensions										Packaging Quantity Per Bag
		A		B		C		D		E		
		In	mm	In	mm	In	mm	In	mm	In	mm	
SP-3	Light Blue	.276	7.00	.118	3.00	.093	2.36	.276	7.00	.512	13.00	500
SP-4	Light Green	.315	8.00	.197	5.00	.112	2.84	.315	7.00	.551	14.00	500
SP-5	Purple	.354	8.99	.236	6.00	.155	3.93	.354	8.99	.631	16.02	500
SP-6	Black	.400	10.16	.253	6.42	.188	4.77	.400	10.16	.694	17.62	250
SP-8	White	.489	12.42	.324	8.23	.234	5.94	.384	9.75	.682	17.32	250



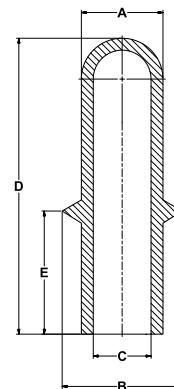
SFP-SH Series

Silicone Flanged Cap/Plugs

SFP-SH Series Ultrabake™ Silicone Flanged Cap/Plugs are designed to mask plain and threaded holes; they will mask off the hole and the first thread of a threaded hole. The plugs are dual purpose and can be used as a cap on longer studs. Recommended for powder coating, e-coating, plating and anodizing.

- For high-temperature processes up to 600°F (315°C)
- Reusable

Material: Silicone **Color:** See chart for color coding
Optional Colors: White



Silicone Flanged Cap/Plugs SFP-SH Series

Caplugs No.	Color	Dimensions										Packaging Quantity Per Bag
		A		B		C		D		E		
		In	mm	In	mm	In	mm	In	mm	In	mm	
SFP-M8	Yellow	.291	7.39	.472	11.99	.177	4.50	1.654	42.01	.472	11.99	250
SFP-M10	Pink	.343	8.71	.579	14.71	.276	7.01	1.850	46.99	.512	13.00	250
SFP-M12	Clear	.421	10.69	.622	15.80	.315	8.00	2.008	51.00	.551	14.00	250
SFP-M14	Grey	.539	13.69	.709	18.01	.417	10.59	2.520	64.01	.591	15.01	250



HETV and ETV Series

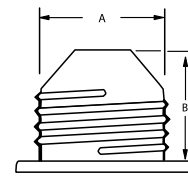
External Thread Plugs

HETV and ETV Series External Thread Plugs are temperature-resistant and can be easily pushed in and removed with no threading required. External threads hold plugs securely in place.

- Ideal for masking applications
- Flexible

Material: Flex500® or standard vinyl **Color:** Black
Optional Color: Yellow

Note: For low-temperature vinyl, please refer to ETV Series.



External Thread Plugs HETV and ETV Series

Flex500® Caplugs No.	Low-Temp Vinyl Caplugs No.	Dimensions				Packaging	
		A		B		Carton Quantity	Mini Pak Quantity
		In	mm	In	mm		
HETV-4	ETV-4	.438	11.13	.438	11.13	7500	1000
HETV-5	ETV-5	.500	12.70	.500	12.70	7500	1000
HETV-6	ETV-6	.563	14.30	.500	12.70	6000	1000
HETV-8	ETV-8	.750	19.05	.625	15.88	5400	1000
HETV-10	ETV-10	.875	22.23	.688	17.48	4000	800
HETV-12	ETV-12	1.047	26.59	.750	19.05	2800	560
HETV-16	ETV-16	1.281	32.54	.875	22.23	2000	400



HTP and TP Series

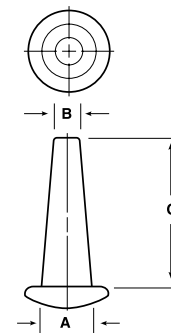
Tapered Vinyl Plugs

HTP and TP Series Flex500® Tapered Plugs are designed with a distinct tapered configuration, making them ideal for plugging small holes, ranging in diameter from .070" to .343"! Ideal for masking applications during painting, plating and powder coating operations.

- Easy installation and removal
- Flexible

Material: Flex500® or standard vinyl **Color:** Black
Optional Color: Yellow

Note: For low-temperature vinyl, please refer to TP Series.



Tapered Vinyl Plugs HTP and TP Series

† Mini and Micro Paks available in standard color.
‡ Minimum order for Micro Paks is 2.

Flex500® Caplugs No.	Low-Temp Vinyl Caplugs No.	Dimensions						Packaging		
		A		B		C		Carton Quantity	Mini Pak† Quantity	Micro Pak‡ Quantity
		In	mm	In	mm	In	mm			
HTP-4	TP-4	.15	3.81	.07	1.78	.625	15.88	5000	1000	50
HTP-6	TP-6	.20	5.08	.10	2.54	.500	12.70	5000	1000	50
HTP-8	TP-8	.25	6.35	.14	3.56	.750	19.05	5000	1000	50
HTP-9	TP-9	.30	7.62	.14	3.56	1.000	25.40	5000	1000	50
HTP-10	TP-10	.31	7.87	.16	4.06	.750	19.05	5000	1000	50
HTP-11	TP-11	.31	7.87	.19	4.83	1.000	25.40	5000	1000	50
HTP-12	TP-12	.34	8.64	.19	4.83	.750	19.05	5000	1000	50



HVTP and VTP Series

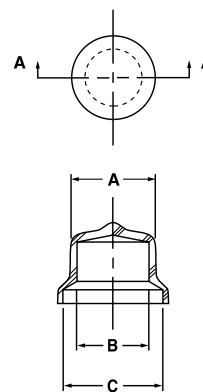
Tapered Vinyl Plugs

HVTP and VTP Series Flex500® Tapered Plugs provide a snug fit when pushed into open ports, ensuring a tight closure that will not pop out accidentally during processing or shipping. A simple tug on the flanged lip of an installed HVTP or VTP breaks the seal for easy removal. Ideal for masking applications during painting, plating and powder coating operations.

- Easy installation and removal
- Flexible

Material: Flex500® or standard vinyl **Color:** Black
Optional Color: Yellow

Note: For low-temperature vinyl, please refer to VTP Series.



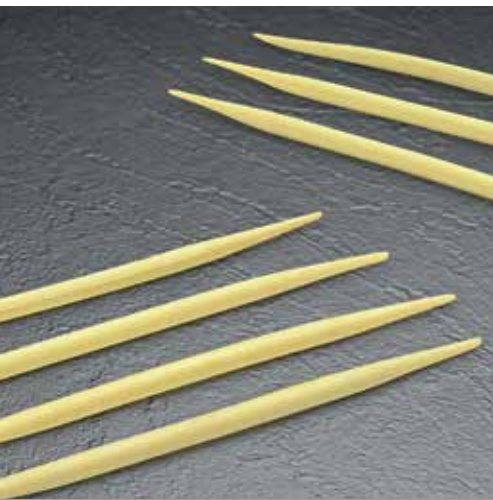
Tapered Vinyl Plugs HVTP and VTP Series

† Mini and Micro Paks available in standard color.
‡ Minimum order for Micro Paks is 2.

Flex500® Caplugs No.	Low-Temp Vinyl Caplugs No.	Dimensions								Packaging		
		To Plug Thread Size		A		B		C		Carton Quantity	Mini Pak† Quantity	Micro Pak‡ Quantity
		NPT	STD	In	mm	In	mm	In	mm			
HVTP-05	VTP-05	-	1/4	.195	4.95	.125	3.18	.300	7.62	5000	1000	100
HVTP-1	VTP-1	-	5/16	.290	7.37	.210	5.33	.406	10.31	5000	1000	100
HVTP-2	VTP-2	1/8	3/8	.400	10.16	.290	7.37	.437	11.10	5000	1000	100
HVTP-25	VTP-25	-	7/16	.445	11.30	.340	8.64	.500	12.70	5000	1000	100
HVTP-3	VTP-3	1/4	1/2	.530	13.46	.365	9.27	.555	14.10	5000	1000	100
HVTP-35	VTP-35	-	9/16	.570	14.48	.445	11.30	.625	15.88	2500	500	50
HVTP-4	VTP-4	3/8	5/8	.640	16.26	.520	13.21	.750	19.05	2500	500	50
HVTP-5	VTP-5	1/2	3/4	.800	20.32	.682	17.32	.937	23.80	2500	500	50
HVTP-55	VTP-55	3/4	7/8	.870	22.10	.732	18.59	1.000	25.40	1000	200	25
HVTP-6	VTP-6	3/4	1-1/16	1.025	28.04	.891	22.63	1.188	30.18	1000	200	25
HVTP-7	VTP-7	1	1-3/16, 1-1/4, 1-5/16	1.275	32.39	1.147	29.13	1.453	36.91	1000	200	25

MT-SH Series

Mouse-Tail Pull Plugs MT-SH Series

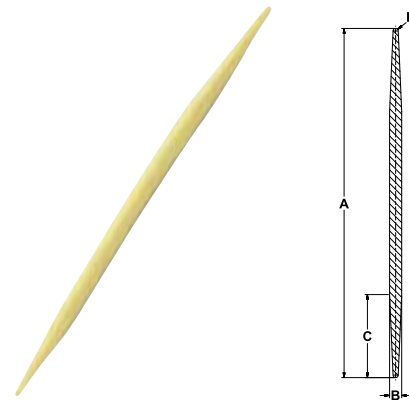


Mouse-Tail Pull Plugs

Mouse-Tail Pull Plugs are used for extremely small holes typically found on electronic components. They are thin and flexible, which allows them to fit into different hole sizes to create a tight seal. Available in two materials, the MT is made of EPDM and our SMT is made of high-temperature silicone. Recommended for powder coating, plating, anodizing, and e-coating.

- Ideal for small holes
- Stretchable to provide leak-proof seal
- Reusable

Material: Silicone or EPDM **Color:** Clear



Caplugs No.	Material and Temperature Limit	Dimensions								Packaging	
		A		B		C		D		Quantity Per Bag	
		In	mm	In	mm	In	mm	In	mm		
SMT100	Ultradake™ 600°F (315°C)	2	50.80	.080	2.03	.500	12.70	.025	.64	500	
MT100	EPDM 350°F (177°C)	2	50.80	.080	2.03	.500	12.70	.025	.64	500	



UHCP-SH Series

Silicone Hollow Cone Plugs UHCP-SH Series

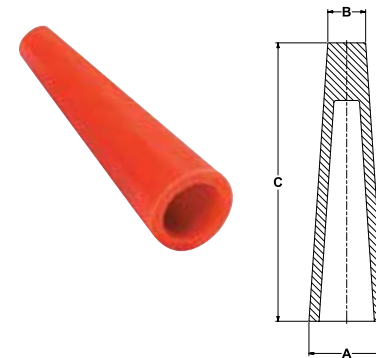


Silicone Hollow Cone Plugs

UHCP-SH Series Ultradake™ Silicone Hollow Cone Plugs are designed to plug plain and threaded holes; they will mask off the hole and allow finishing up to it. Recommended for powder coating, e-coating, plating and anodizing.

- Recommended temperatures up to 600°F (315°C)
- Hollow and tapered to make this plug highly versatile
- Ideal for slotted and oval holes
- Reusable

Material: Silicone **Color:** See chart for color coding



Caplugs No.	Color	Dimensions						Packaging	
		A		B		C		Quantity Per Bag	
		In	mm	In	mm	In	mm		
UHCP-1	Rusty Red	.580	14.73	.147	3.73	1.900	48.26	250	
UHCP-2	Blue	.787	20.00	.394	10.00	2.900	74.00	100	

PTP Series

Tapered Paper Plugs PTP Series



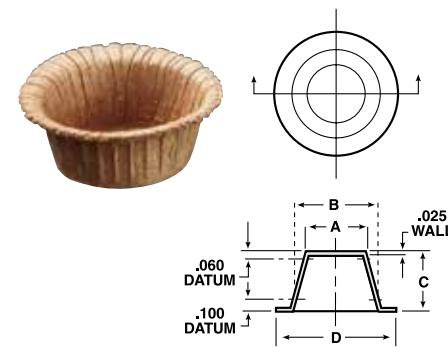
Tapered Paper Plugs

Manufactured from natural paper and 100% recyclable, PTP Series Tapered Paper Plugs are the answer for applications requiring "environmentally friendly" components. These closures will withstand intermittent temperatures up to 400°F (204°C), making them ideal for high-temperature applications, which may degrade typical plastic plugs. The flexibility and tapered design of the PTP Series allow quick, easy installation and removal.

- Made from recycled material
- 100% Recyclable
- Intermittent temperatures to 400°F (204°C)

Material: 90 lb. paperboard **Color:** Brown

Note: Products are manufactured from paper that is hygroscopic. This means that there may be minor dimensional variation with changes in relative humidity.



Caplugs No.	Pipe Size Inches	Dimensions								Packaging	
		A		B		C		D		Carton Quantity	Mini Pak Quantity
		In	mm	In	mm	In	mm	In	mm		
PTP-18-3	1/8	.35	8.89	.42	10.67	.34	8.64	.56	14.22	30000	1000
PTP-14-3	1/4	.46	11.68	.50	12.70	.36	9.14	.68	17.27	18000	1000
PTP-38-3	3/8	.58	14.73	.70	17.78	.48	12.19	.87	22.10	16000	1000
PTP-12-3	1/2	.68	17.27	.82	20.83	.53	13.46	1.04	26.42	10500	1000
PTP-34-3	3/4	.92	23.37	1.11	28.19	.54	13.72	1.38	35.05	6200	1000
PTP-100-3	1	1.18	29.97	1.44	36.58	.64	16.26	1.73	43.94	5000	1000
PTP-114-3	1-1/4	1.50	38.10	1.78	45.21	.69	17.53	2.12	53.85	3000	600
PTP-112-3	1-1/2	1.73	43.94	2.06	52.32	.68	17.27	2.43	61.72	2700	540
PTP-200-3	2	2.22	56.39	2.50	63.50	.64	16.26	2.93	74.42	1800	360
PTP-212-3	2-1/2	2.64	67.06	3.15	80.01	.75	19.05	3.57	90.68	1300	260
PTP-300-3	3	3.28	83.31	3.60	91.44	.74	18.80	4.09	103.89	1000	200

STPS-SH Series

Self-Threading Plugs

STPS-SH Series Self-Threading Plugs are self-tapping and create a leak-proof seal. The handles have holes that can be used for hanging. Recommended for painting, plating and anodizing.

- Recommended temperatures up to 180°F (82°C)
- Chemical-resistant

Material: Low-Density Polyethylene **Color:** White



Self-Threading Plugs STPS-SH Series

Caplugs No.	Thread Size (inches)		Packaging Quantity
	From	To	
STPS-1/4	1/4 - 20	1/4 - 28	100
STPS-5/16	5/16 - 18	5/16 - 24	100
STPS-3/8	3/8 - 16	3/8 - 24	100
STPS-1/2	1/2 - 13	1/2 - 20	100
STPS-2	2 - 56	2 - 64	500
STPS-3	3 - 48	3 - 56	500
STPS-4	4 - 40	4 - 48	500
STPS-6	6 - 32	6 - 40	500
STPS-8	8 - 32	8 - 36	500
STPS-10	10 - 24	10 - 32	500
STPS-12	12 - 24	12 - 28	100



US-SH Series

Silicone Sheetting

US-SH Series Ultrabake™ Silicone Sheetting can be used to cover large areas, die cut into shapes and used in conjunction with a double-sided tape, to mask off large areas. Alternatively, it can simply provide a liner or protective layer on areas that will come in contact with heat. Ideal for powder coating, e-coating, plating, anodizing and spray painting.

- Recommended temperatures up to 600°F (315°C)
- Flexible
- Can be die-cut into shapes for gaskets, pads, strips, washers or seals
- Reusable

Material: Silicone **Color:** Rusty Red



Silicone Sheetting US-SH Series

Caplugs No.	Dimensions				
	Length/Width		Thickness		
	In ²	mm ²	Fraction	In	mm
US031-36	36	914	.031	1/32	.79
US062-36	36	914	.062	1/16	1.57
US093-36	36	914	.093	3/32	2.36
US125-36	36	914	.125	1/8	3.18
US187-36	36	914	.187	3/16	4.75
US250-36	36	914	.250	1/4	6.35
US375-36	36	914	.375	3/8	9.53
US500-36	36	914	.500	1/2	12.70



MDT-SH Series

Multi-Diameter Silicone Tubing

MDT-SH Series Ultrabake™ Multi-Diameter Silicone Tubing can be used to cover plain and threaded studs, shafts or other cylindrical parts; it will mask off the studs and can be used to mask off areas of shafts. Ideal for powder coating, e-coating, plating, anodizing and spray painting.

- Recommended temperatures up to 600°F (315°C)
- Flexible to fit a wide range of diameters
- Cut to length
- Reusable

Material: Silicone **Color:** Rusty Red



Multi-Diameter Silicone Tubing MDT-SH Series

Caplugs No.	Dimensions					
	Diameter Minimum		Diameter Maximum		Coil Length	
	In	mm	In	mm	Feet	Meters
MDT0350-0650	.350	8.89	.650	16.51	100	30
MDT0650-2250	.650	16.51	1.500	38.10	50	15



UC-SH Series

Silicone Cord

UC-SH Series Ultrabake™ Silicone Cord can be used as a gasket or O-ring type material to mask off grooves, slots or keyways. Ideal for powder coating, e-coating, plating, anodizing and spray painting.

- Recommended temperatures up to 600°F (315°C)
- Flexible
- Cut to size
- Reusable

Material: Silicone **Color:** Clear



Silicone Cord UC-SH Series

Caplugs No.	Dimensions			
	Diameter		Coil Length	
	In	mm	Feet	Meters
UC0070	.070	1.78	100	30
UC0093	.093	2.36	100	30
UC0103	.103	2.62	100	30
UC0125	.125	3.18	100	30
UC0139	.139	3.53	100	30
UC0156	.156	3.96	100	30
UC0187	.187	4.75	100	30
UC0210	.210	5.33	100	30
UC0250	.250	6.35	100	30
UC0275	.275	6.99	100	30
UC0312	.312	7.92	100	30
UC0375	.375	9.53	50	15
UC0437	.437	11.10	50	15
UC0500	.500	12.70	50	15
UC0562	.562	14.27	50	15



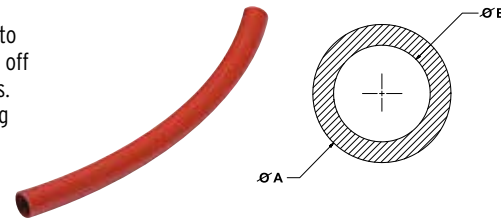
ST-SH Series

Silicone Tubing

ST-SH Series Ultrabake™ Silicone Tubing can be used to cover plain and threaded studs or shafts; it will mask off the studs and can be used to mask off areas of shafts. Ideal for powder coating, e-coating, plating, anodizing and spray painting.

- Recommended temperatures up to 600°F (315°C)
- 1/16" wall thickness
- Flexible
- Cut to length
- Reusable

Material: Silicone **Color:** See chart for color coding



Silicone Tubing ST-SH Series

Caplugs No.	Color	Dimensions					
		OD (ØA)		ID (ØB)		Coil Length	
		In	mm	In	mm	Feet	Meters
ST0040	Clear	.165	4.19	.040	1.02	100	30
ST0062	Clear	.187	4.75	.062	1.57	100	30
ST0080	Clear	.205	5.21	.080	2.03	100	30
ST0093	Clear	.218	5.54	.093	2.36	100	30
ST0109	Clear	.234	5.94	.109	2.77	100	30
ST0125	Clear	.250	6.35	.125	3.18	100	30
ST0140	Clear	.265	6.73	.140	3.56	100	30
ST0156	Clear	.281	7.14	.156	3.96	100	30
ST0172	Clear	.297	7.54	.172	4.37	100	30
ST0187	Clear	.312	7.92	.187	4.75	100	30
ST0203	Clear	.328	8.33	.203	5.16	100	30
ST0218	Clear	.343	8.71	.218	5.54	100	30
ST0234	Clear	.359	9.12	.234	5.94	100	30
ST0250	Clear	.375	9.53	.250	6.35	100	30
ST0281	Clear	.406	10.31	.281	7.14	100	30
ST0312	Clear	.437	11.10	.312	7.92	100	30
ST0343	Clear	.468	11.89	.343	8.71	100	30
ST0375	Clear	.500	12.70	.375	9.53	100	30
ST0406	Clear	.531	13.49	.406	10.31	100	30
ST0437	Clear	.562	14.27	.437	11.10	100	30
ST0500	Clear	.625	15.88	.500	12.70	100	30
ST0625	Clear	.750	19.05	.625	15.88	50	15
ST0750	Rusty Red	.875	22.23	.750	19.05	50	15
ST0875	Rusty Red	1.000	25.40	.875	22.23	50	15
ST0937	Rusty Red	1.062	26.97	.937	23.80	50	15
ST1000	Rusty Red	1.125	28.58	1.000	25.40	50	15
ST1125	Rusty Red	1.250	31.75	1.125	28.58	50	15
ST1250	Rusty Red	1.375	34.93	1.250	31.75	50	15
ST1375	Rusty Red	1.500	38.10	1.375	34.93	50	15
ST1500	Rusty Red	1.625	41.28	1.500	38.10	50	15
ST1625	Rusty Red	1.750	44.45	1.625	41.28	50	15
ST1750	Rusty Red	1.875	47.63	1.750	44.45	50	15
ST1875	Rusty Red	2.000	50.80	1.875	47.63	50	15
ST2000	Rusty Red	2.125	53.98	2.000	50.80	50	15



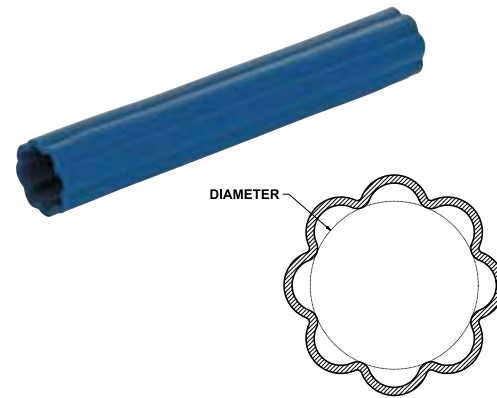
UST-SH Series

Silicone Star Tubing

UST-SH Series Ultrabake™ Silicone Star Tubing can be used to cover plain and threaded studs, shafts or other cylindrical parts; it will mask off the studs and can be used to mask off areas of shafts. Ideal for powder coating, e-coating, plating, anodizing and spray painting.

- Recommended temperatures up to 600°F (315°C)
- Star shape allows for easy removal
- Flexible to fit a wide range of diameters
- Cut to length
- Reusable

Material: Silicone **Color:** See chart for color coding



Silicone Star Tubing UST-SH Series

Caplugs No.	Color	Dimensions			
		Diameter		Coil Length	
		In	mm	Feet	Meters
UST-0500	Rusty Red	.500	12.70	100	30
UST-0750	Green	.750	19.05	50	15
UST-1000	Green	1.000	25.40	50	15
UST-1500	Rusty Red	1.500	38.10	25	7.5

CSC Series

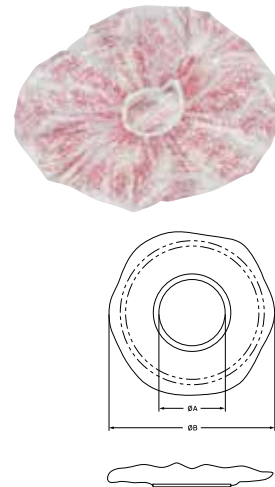
Clear Stretchable Covers

The CSC Series, commonly known as shower caps, are economical covers for a wide range of industrial and consumer applications. These covers can be stretched over a variety of applications to protect from dust, contaminant, and moisture. Ideal for masking applications, these plastic covers can be quickly installed and removed. To ensure the cover is visible once on an application, the Caplugs logo is pad-printed across the cover in red.

- Available in 8 different sizes, ranging from 3-3/4" to 17-1/2" in diameter (when laying flat)
- Reusable
- Manufactured of 3 mil. transparent polyethylene film and secured with a durable elastic band

Material: Polyethylene **Color:** Clear/Translucent

Note: Maximum fit/stretch capabilities are not provided, as that will greatly depend upon the application. To ensure you choose the best fit, we encourage you to sample the desired size prior to placing an order.



Clear Stretchable Covers CSC Series

Caplugs No.	Dimensions				Packaging Carton Quantity
	ØA		ØB		
	In	mm	In	mm	
CSC-3750	1.50	38.10	3.75	95.25	100
CSC-4500	1.50	38.10	4.50	114.30	100
CSC-5500	1.50	38.10	5.50	139.70	100
CSC-7000	1.50	38.10	7.00	177.80	100
CSC-9000	2.25	57.15	9.00	228.60	100
CSC-11500	2.88	73.15	11.50	292.10	50
CSC-14500	3.63	92.20	14.50	368.30	50
CSC-17500	4.38	111.25	17.50	444.50	50

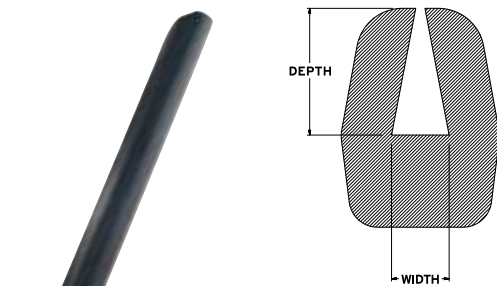
EP58-SH Series

Edge Protectors

EP58-SH Series Edge Protectors safeguard PC Board Connector surfaces. Use during cleaning, dipping and solder wave. Available in other materials.

- Recommended temperatures up to 350°F (177°C)
- Easily cuts to required lengths
- Reusable

Material: Neoprene **Color:** See chart for color coding



Edge Protectors EP58-SH Series

Caplugs No.	Colors	Conductivity	Dimensions					
			Width		Depth		Length	
			In	mm	In	mm	In	mm
EP5812	Grey	Non-Conductive	.05	1.27	.16	4.06	30	762
EP5816	Grey	Non-Conductive	.062	1.57	.312	7.92	30	762
EP5820	Grey	Non-Conductive	.062	1.57	.437	11.10	30	762
EP5816C	Black	Conductive	.062	1.57	.312	7.92	30	762
EP5820C	Black	Conductive	.062	1.57	.437	11.10	30	762

SK-SH Series

Masking Starter Kits

SK-SH Series Starter Kits each contain a small selection of masking products that can be used together. Each kit is packaged in a plastic box, which is sectionalized and labeled to identify the parts. These kits are ideal for research and development work, small runs or for hobbyists.

Material: Various **Color:** Various (color-coded for sizing)



Masking Starter Kits SK-SH Series

SK1 350°F (177°C)	SK2 350°F (177°C)	SK4 600°F (315°C)	SK5 600°F (315°C)	SK6 600°F (315°C)	SK7 300°F (149°C)	SK8 600°F (315°C)
<ul style="list-style-type: none"> • 11 sizes of vinyl caps • 7 sizes of pull plugs 	<ul style="list-style-type: none"> • 13 sizes of vinyl caps • 5 self-threading plugs (STP) 2-56 to 8-32 	<ul style="list-style-type: none"> • 12 sizes of Ultrabake™ caps • 6 sizes of Ultrabake™ pull plugs 	<ul style="list-style-type: none"> • 18 different reusable caps • Internal diameters from 3/32" to 7/8" 	<ul style="list-style-type: none"> • Metric cap sizes M1 to M14 	<ul style="list-style-type: none"> • Various sizes of cork plugs 	<ul style="list-style-type: none"> • 18 different reusable Ultrabake™ pull plugs • 1/16" to 1/2" diameter
SK9 300°F (149°C)	SK10 350°F (177°C)	SK11 350°F (177°C)	SK12 600°F (315°C)	SK13 250°F (121°C)	SK14 600°F (315°C)	SK15 600°F (315°C)
<ul style="list-style-type: none"> • Various sizes of reusable EPDM pull plugs 	<ul style="list-style-type: none"> • Various sizes of reusable Green Neoprene plugs 	<ul style="list-style-type: none"> • Various sizes of reusable Black Neoprene plugs 	<ul style="list-style-type: none"> • Various sizes of reusable Ultrabake™ plugs 	<ul style="list-style-type: none"> • Various sizes of reusable rubber plugs 	<ul style="list-style-type: none"> • Various sizes Ultrabake™ Flangeless plugs 	<ul style="list-style-type: none"> • Various styles and sizes of Ultrabake™ caps and plugs



MKITS HVC Series

High-Temperature Vinyl Masking Kits

MKITS HVC Series High-Temperature Masking Kits allow you to keep a wide variety of sizes and styles on hand for quick and easy access. Flex500® is an innovative material formulated to withstand temperatures of 500°F and beyond. MKIT caps are ideal for masking applications including powder coating, e-coating, painting and more. Purchase one of our masking kits and get the carrying case free - a \$30 value. If you would rather build your own custom kit, just purchase \$100 in Micro Paks and get the carrying case free. Please reference the "free case promotion" when placing a custom kit order.

Material: Flex500® **Color:** Black



High-Temperature Vinyl Masking Kits MKITS HVC Series

Flex500® masking kits include one Micro Pak of the following:

Small Diameter Kit - MKIT-HVC-062-281			Large Diameter Kit - MKIT-HVC-312-1000		
HVC	HVC	HTP	HVC	HVC	HTP
062-10	172-16	6	312-16	500-16	9
080-10	187-16	8	343-16	625-16	10
093-12	203-16	n/a	375-16	750-16	n/a
109-12	218-16	n/a	406-16	875-16	n/a
125-16	234-16	n/a	437-16	1000-16	n/a
140-16	250-16	n/a	-	-	-
156-16	281-16	n/a	-	-	-

MKITS VC Series

Standard Vinyl Masking Kits

MKITS VC Series Standard Vinyl Masking Kits allow you to keep a wide variety of sizes and styles on hand for quick and easy access. Purchase one of our masking kits and get the carrying case free - a \$30 value. If you would rather build your own custom kit, just purchase \$100 in Micro Paks and get the carrying case free. Please reference the "free case promotion" when placing a custom kit order.

Material: Vinyl **Color:** Various (color-coded for sizing)



Standard Vinyl Masking Kits MKITS VC Series

Vinyl masking kits include one Micro Pak of the following:

Small Diameter Kit - MKIT-VC-062-281			Large Diameter Kit - MKIT-VC-312-1000		
VC	VC	TP	VC	VC	TP
062-10	172-16	6	312-16	500-16	9
080-10	187-16	8	343-16	625-16	10
093-12	203-16	n/a	375-16	750-16	n/a
109-12	218-16	n/a	406-16	875-16	n/a
125-16	234-16	n/a	437-16	1000-16	n/a
140-16	250-16	n/a	-	-	-
156-16	281-16	n/a	-	-	-

Caplugs is an authorized 3M distributor and tape converter. Many additional tapes are available. Please contact customer service at 1.888.CAPLUGS for more information or specific requests.

Tape Part No.	Die-cut Part No.	Backing Material	Color	Temperature	Adhesive	Aerospace Approved	Page	Descriptions	Powder Coating	E-coating	Plating	Anodizing	Wave Soldering	Insulating	Wet Paint Masking
SRT-SH		Silicone	Various	600°F (315°C)	Self-adhering		78-79	Self-adhering and self-fusing. Improved wrapping tape suitable whenever a tough, permanently resilient, void-free insulation is required.	X	X	X	X		X	X
22-SH	KP-SH	Polyimide	Amber	500°F (260°C)	Silicone	Yes	76	Used for PCB solder masking and other high-temperature applications.	X				X	X	
5413-SH	KP-SH	Polyimide	Amber	500°F (260°C)	Silicone		Call customer service	Used for PCB solder masking and other high-temperature applications.					X		
PC198-SH	GC-SH	Glass Cloth	White	500°F (260°C)	Silicone		76, 83-87	High-temperature tape for shot blasting, thermal spray, electrical insulation and powder coating. High tensile strength.	X						
PC11-SH	PR-SH	Polyester	Red	425°F (218°C)	Silicone		77, 82-86	A powder coating tape with a higher than standard temperature rating. Good for large areas that may retain heat.	X	X					
8402-SH		Polyester	Green	425°F (218°C)	Silicone		Call customer service	A high-temperature tape that is abrasion-, chemical- and thermal-resistant. 1.9 mil thickness.	X	X		X	X		
8403-SH		Polyester	Green	425°F (218°C)	Silicone		Call customer service	A high-temperature tape that is abrasion-, chemical- and thermal-resistant. 2.3 mil thickness.	X			X			X
PC21-SH	PC-SH	Polyester	Green	400°F (204°C)	Silicone	Yes	77, 82-86	Polyester tape with increased stiffness for ease of application. High tear-resistance and temperature-resistance.	X	X		X			
PC25-SH		Polyester	Green	400°F (204°C)	Silicone		76	Heavy-duty, double-thick tape for strong rigidity and tear strength. Ideal for larger surfaces.	X	X		X			X
PC30-SH		Polyester	Yellow	400°F (204°C)	Silicone		77	A light-duty, economical masking option.	X	X					
PC90-SH	PB-SH	Polyester	Blue	400°F (204°C)	Silicone	Yes	77, 82-86	A light-weight, thin tape that is ideal for curved surfaces of profiles.	X	X		X			X
7503-SH	TF-SH	Teflon®	Grey	400°F (204°C)	Silicone		88-90	A versatile tape that is highly conformable and chemically inert.							X
PC23-SH		Polyester	Red	400°F (204°C)	Silicone		Call customer service	A thicker version of the PC21-SH tape.	X	X		X			X
213-SH		Crepe Paper	Tan	350°F (177°C)	Rubber		Call customer service	High-heat and transfer-resistant crepe paper. Used for metal applications. Not recommended for outdoor exposure.							X
214-SH		Crepe Paper	Off-White	350°F (177°C)	Rubber		Call customer service	High-temperature masking tape.							X
425-SH	AF-SH	Aluminum	Silver	300°F (149°C)	Acrylic	Yes	88-90	A dead-soft aluminum foil tape that is highly reflective. Long aging, both indoor and outdoors. Used for electroplating and paint-stripping operations.				X			X
427-SH	AF-SH	Aluminum (on liner)	Silver	300°F (149°C)	Acrylic	Yes	88-90	Used for aircraft paint stripping.				X			X
KD11-SH	EZ-SH & KD-SH	Crepe Paper	Off-White	300°F (149°C)	Acrylic	Yes	77, 83-87	Ideal for low-temperature and wet applications, including liquid and spray painting.							X
853-SH		Polyester	Clear	300°F (149°C)	Silicone		Call customer service	Highly solvent-resistant; has excellent chemical and thermal stability. Long aging and will not discolor. Ideal for protecting, covering, labeling and splicing.				X			
218-SH		Polypropylene	Green	250°F (121°C)	Rubber	Yes	Call customer service	Specially extruded and ultra thin providing the finest color line separation. Stretches easily and tears by hand. Excellent solvent and moisture resistance.				X	X		
420-SH	LF-SH	Lead Foil (on liner)	Silver	225°F (107°C)	Rubber	Yes	88-90	Conformable with good thermal properties. Its adhesive is protected by a white film, easy-release liner. Used in electroplating and chemical milling.				X			X
421-SH	LF-SH	Lead Foil	Silver	225°F (107°C)	Rubber		88-90	Conformable with good thermal properties. Used in plating and chemical milling.				X			X
NAY		Vinyl	Yellow	210°F (99°C)	None		Call customer service	Non-adhesive tape that adheres to itself. Creates a waterproof seal.				X			
SC1-100		Vinyl	Yellow	210°F (99°C)	Rubber		Call customer service	Yellow tape with adhesive that removes easily and does not leave residue.				X	X		
232-SH		Crepe Paper	Tan	200°F (93°C)	Rubber	Yes	Call customer service	Tough and extremely smooth, high-performance crepe paper. Used for paint masking and industrial applications.							X
250-SH		Flatback Paper	Off-White	200°F (93°C)	Rubber	Yes	Call customer service	A flatback paper tape with an aggressive rubber adhesive that can be used on a variety of surfaces. Not recommended for outdoor exposure.	X			X		X	X
470-SH	AD-SH & EV-SH	Vinyl	Tan	170°F (77°C)	Rubber	Yes	89-91	Excellent resistance to most chemicals, highly conformable and abrasion-resistant. Vulnerable to ketones, chlorinated hydrocarbons and esters.				X		X	
484-SH	EV-SH	Vinyl	Tan	170°F (77°C)	Rubber		89-91	Abrasion-resistant and designed to provide lower adhesions and unwind than the 470-SH Series.		X	X				
471-SH		Vinyl	Various	170°F (77°C)	Rubber	Yes	Call customer service	Highly conformable and resistant to most solvents. Vulnerable to ketones, chlorinated hydrocarbons and esters.							X

Tape Series

Polyester, Polyimide, Glass Cloth and Paper Masking Tapes



†PC23-SH is available and is a slightly thicker version of the PC21-SH tape. Color: Red
Contact customer service for more information.

*Length of roll = 36 yards

‡ Total thickness

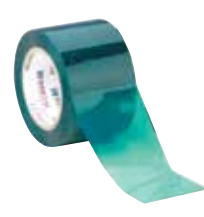
◆ Some KD11-SH tape sizes vary from chart. Visit www.caplugs.com or contact customer service for exact dimensions.



Used as electrical and thermal insulation for cable wrap, splicing tape and solder masks for circuit boards.



Ideal for powder coating, blasting, stenciling and electrical insulation. Strong tensile strength and tear-resistant.



Heavy-duty, double-thick tape for strong rigidity and tear strength. Ideal for larger surfaces.

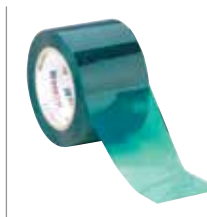
Description			22-SH	PC198-SH	PC25-SH
Item Category			22-SH	PC198-SH	PC25-SH
Film Type			Polyimide	Glass cloth	Polyester
Max. Temperature			500°F (260°C)	500°F (260°C)	400°F (204°C)
Color			Amber	White	Green
Film			1 mil	5.4 mil	5 mil
Adhesive			1.5 mil	2.1 mil	1.5 mil
Adhesive Type			Silicone	Silicone	Silicone
Length			36 yds	36 yds	72 yds
Size		Packaging	Extreme High Temperature		Heavy Duty
Fraction	Decimal	Rolls/Case			
1/8	.125	36	220125	PC1980125	
3/16	.187				
1/4	.250	36	220250	PC1980250	PC250250
5/16	.312				
3/8	.375	24	220375	PC1980375	PC250375
7/16	.437				
1/2	.500	18	220500	PC1980500	PC250500
5/8	.625	12	220625	PC1980625	
3/4	.750	12	220750	PC1980750	PC250750
7/8	.875				
1	1.000	12	221000	PC1981000	PC251000
1-1/4	1.250	9	221250	PC1981250	
1-1/2	1.500	6	221500	PC1981500	
1-3/4	1.750				
2	2.000	6	222000	PC1982000	PC252000
2-1/2	2.500	4	222500	PC1982500	
3	3.000	4	223000	PC1983000	PC253000
3-1/2	3.500				
4	4.000	4	224000	PC1984000	PC254000
4-1/2	4.500				
5	5.000	2			PC255000
5-1/2	5.500				
6	6.000	2	226000	PC1986000	PC256000
7	7.000	2			PC257000
8	8.000	2			PC258000
9	9.000	1			PC259000
10	10.000	1			PC2510000

METRIC SIZES

Size		Packaging	Extreme High Temperature		Heavy Duty
Width (mm)		Rolls/Case			
5		36	225MM	PC1985MM	
10		24	2210MM	PC19810MM	
15		18	2215MM	PC19815MM	
20		12	2220MM	PC19820MM	
25		12	2225MM	PC19825MM	
30		12	2230MM	PC19830MM	
35					
40		6	2240MM	PC19840MM	
45		6	2245MM	PC19845MM	
50		6	2250MM	PC19850MM	
80		4	2280MM	PC19880MM	
100		4	22100MM	PC198100MM	
150		2	22150MM	PC198150MM	

Tape Series

Polyester, Polyimide, Glass Cloth and Paper Masking Tapes



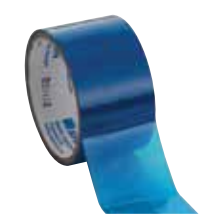
Ideal for powder coating, e-coating and anodizing. Increased stiffness for ease of application.



A lighter-duty, more economical masking option for powder coating.



Ideal for powder coating and e-coating. Best suited for curved surfaces.



A light-weight, thin tape ideal for curved surfaces or profiles. Used primarily for powder coating.



Pressure-sensitive tape for wet-strip applications. Good conformability and resistance to paint flaking.

Description			PC21-SH†	PC30-SH	PC11-SH	PC90-SH	KD11-SH
Item Category			PC21-SH†	PC30-SH	PC11-SH	PC90-SH	KD11-SH
Film Type			Polyester	Polyester	Polyester	Polyester	Crepe paper
Max. Temperature			400°F (204°C)	400°F (204°C)	425°F (218°C)	400°F (204°C)	300°F (149°C)
Color			Green	Yellow	Red	Blue	Off-white
Film			2 mil	2 mil	2 mil	1 mil	7.5 mil‡
Adhesive			1.5 mil	1.5 mil	1.5 mil	2 mil	
Adhesive Type			Silicone	Silicone	Silicone	Silicone	Acrylic
Length			72 yds	72 yds	72 yds	72 yds	60 yds
Size		Packaging	Standard Polyester (High Temperature)				Low Temperature
Fraction	Decimal	Rolls/Case					
1/8	.125	144	PC210125	PC300125	PC110125*	PC900125*	KD110125
3/16	.187	144	PC210187	PC300187		PC900187*	
1/4	.250	144	PC210250	PC300250	PC110250	PC900250*	KD110250
5/16	.312	96	PC210312	PC300312	PC110312	PC900312	
3/8	.375	96	PC210375	PC300375	PC110375	PC900375	KD110375
7/16	.437	72	PC210437	PC300437	PC110437	PC900437	
1/2	.500	72	PC210500	PC300500	PC110500	PC900500	KD110500 ◆
5/8	.625	48	PC210625	PC300625	PC110625	PC900625	KD110625
3/4	.750	48	PC210750	PC300750	PC110750	PC900750	KD110750 ◆
7/8	.875	36	PC210875	PC300875	PC110875	PC900875	
1	1.000	36	PC211000	PC301000	PC111000	PC901000	KD111000 ◆
1-1/4	1.250	24	PC211250	PC301250	PC111250	PC901250	KD111250
1-1/2	1.500	24	PC211500	PC301500	PC111500	PC901500	KD111500
1-3/4	1.750	24	PC211750	PC301750	PC111750	PC901750	
2	2.000	24	PC212000	PC302000	PC112000	PC902000	KD112000 ◆
2-1/2	2.500	12	PC212500	PC302500	PC112500	PC902500	KD112500
3	3.000	12	PC213000	PC303000	PC113000	PC903000	KD113000 ◆
3-1/2	3.500	8	PC213500	PC303500	PC113500	PC903500	
4	4.000	8	PC214000	PC304000	PC114000	PC904000	KD114000
4-1/2	4.500	8	PC214500	PC304500	PC114500		
5	5.000	8	PC215000	PC305000	PC115000	PC905000	
5-1/2	5.500	8	PC215500	PC305500	PC115500	PC905500	
6	6.000	8	PC216000	PC306000	PC116000	PC906000	KD116000
7	7.000	4	PC217000	PC307000	PC117000	PC907000	
8	8.000	4	PC218000	PC308000	PC118000	PC908000	
9	9.000	4	PC219000	PC309000	PC119000	PC909000	

METRIC SIZES

Size		Packaging	Standard Polyester (High Temperature)				Low Temperature
Width (mm)		Rolls/Case					
5		144	PC215MM*	PC305MM*	PC115MM*	PC905MM*	KD115MM
10		96	PC2110MM	PC3010MM	PC1110MM	PC9010MM	KD1110MM
15		72	PC2115MM	PC3015MM	PC1115MM	PC9015MM	KD1115MM
20		48	PC2120MM	PC3020MM	PC1120MM	PC9020MM	KD1120MM
25		48	PC2125MM	PC3025MM	PC1125MM	PC9025MM	KD1125MM
30		36	PC2130MM	PC3030MM	PC1130MM	PC9030MM	KD1130MM
35		36	PC2135MM	PC3035MM	PC1135MM	PC9035MM	
40		24	PC2140MM	PC3040MM	PC1140MM	PC9040MM	KD1140MM
45		24	PC2145MM	PC3045MM	PC1145MM	PC9045MM	KD1145MM
50		12	PC2150MM	PC3050MM	PC1150MM	PC9050MM	KD1150MM
80		8	PC2180MM	PC3080MM	PC1180MM	PC9080MM	KD1180MM
100		8	PC21100MM	PC30100MM	PC11100MM	PC90100MM	KD11100MM
150		8	PC21150MM	PC30150MM	PC11150MM	PC90150MM	KD11150MM

BT100-SH Series

Rubber Blasting Tape

The BT100-SH Series is a protective masking tape during plastic media blast (PMB), blast (dry strip paint removal) or other shot-peen processes. The tape prevents small particles of blast media and other foreign debris from infiltrating and damaging sensitive surfaces, components and control systems. It can be used in a wide variety of applications including aerospace, industrial and automotive masking. A white crepe release-coated paper liner allows the tape to tear easily by hand.

- Remains flexible
- Resists cracking
- Conforms to irregular (curved) surfaces
- Clean removal
- Aggressive acrylic adhesive allows for instant adhesion

Material: Rubber **Color:** Cream



Rubber Blasting Tape BT100-SH Series

Caplugs No.	Width (In)	Length (yds)	Rolls/Case
BT100-1000	1	10	36
BT100-2000	2	10	24
BT100-3000	3	10	12
BT100-4000	4	10	8



SRT-SH Series

Silicone Tape

SRT-SH Series Ultrabake™ Silicone Tape is a wrapping tape. It does not have an adhesive, but can bond to itself as it is wrapped around items. It will mask off the ends or sections of shafts and tubes. It can also be used to form a tough resilient void-free insulation. SRT-SH is contoured so that as it is spiraled around and along, it forms a consistent thick layer of tape. Ideal for powder coating, e-coating, plating, anodizing and spray painting.

- Recommended temperatures up to 600°F (315°C)
- Self-adhering and self-fusing
- Flexible
- Cut to length
- Reusable

Material: Silicone **Color:** See chart for color coding



Silicone Tape SRT-SH Series

Caplugs No.	Color	Dimensions		
		Width In	Thickness mil	Length Feet
SRT0750-20	Black	.750	20	36
SRT1000-20	Grey	1.000	20	36
SRT1000-30	Orange	1.000	30	36
SRT1500-20	Red	1.500	20	36
SRT1500-30	Blue	1.500	30	36
SRT1750-20	Green	1.750	20	36
SRT2000-20	Yellow	2.000	20	36
SRT2000-30	White	2.000	30	36
SRT0753-10R	Red	.750	10	54
SRT0753-20R	Blue	.750	20	36

Extremely effective when masking a flat surface, **custom die-cuts** are **quick and easy** to apply and remove - and can even be fitted with **pull tabs** to expedite the removal process. The solution is ideal for **wet paint, powder coating, e-coating and plating operations**. Custom die-cuts are also an **economical way** to eliminate tedious manual masking steps from any finishing line.

Caplugs offers four unique die-cutting processes to produce a wide range of solutions for product protection and masking purposes.

- **Plotter** – Customizable and inexpensive. No tooling required. Quickest way to produce samples from multiple file formats. Ideal for small runs and making die-cut kits together.
- **Steel Rule Die Press** – Known as “cookie-cutter dies.” Low-cost tooling option for short-run productions.
- **Rotary Die-Cutter** – Tooling required to create a cylindrical solid engraved die for a rotary press. Ideal for high-volume runs.
- **Magnetic Plate Die-Cutting** – Same as Rotary, but using a thinner magnetic plate tool to wrap around a base magnetic cylinder. Economical tooling cost for high-volume runs.

Additional options include:

- Kits
- Perforated liner
- Slit back liner
- Carrier tape
- Pull tabs



Comprehensive custom die-cutting capabilities

Prototypes in **24** hours

Custom die-cut designs from a simple sketch or drawing

Hold **tolerances** of $\pm 0.002''$ on a 24" length

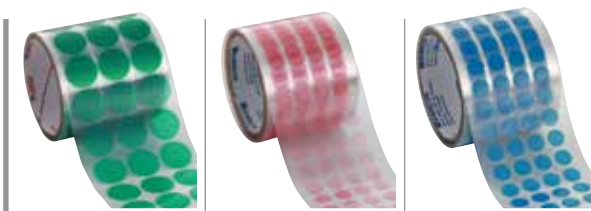
Masks supplied in rolls, sheets or **pre-assembled** kits

Capacity for full **in-house** custom converting

Custom die-cut **samples** provided upon drawing approval

Die-Cut Discs Series

Polyester, Polyimide, Cloth and Paper Masking Tape Discs



Ideal for powder coating and e-coating.

Ideal for powder coating and e-coating.

Ideal for powder coating and e-coating.

Description				PC-SH	PR-SH	PB-SH
Item Category				Polyester	Polyester	Polyester
Film Type				400°F (204°C)	425°F (220°C)	400°F (204°C)
Max. Temperature				Green	Red	Blue
Color				2 mil	2 mil	1 mil
Film				1.5 mil	1.5 mil	2 mil
Adhesive				Silicone	Silicone	Silicone
Adhesive Type				Standard Polyester (High Temperature)		
Size			Quantity Per Roll			
Fraction	Decimal	Metric				
3/32	.093	2.36	1000			
1/8	.125	3.18	2000	PC00125	PR00125	PB00125
5/32	.156	3.96	1000			
3/16	.187	4.75	2000	PC00187	PR00187	PB00187
7/32	.218	5.54	1000			
1/4	.250	6.35	2000	PC00250	PR00250	PB00250
9/32	.281	7.14	1000			
5/16	.312	7.92	2000	PC00312	PR00312	PB00312
11/32	.343	8.71	1000			
3/8	.375	9.53	2000	PC00375	PR00375	PB00375
13/32	.406	10.31	1000			
7/16	.437	11.10	2000	PC00437	PR00437	PB00437
15/32	.468	11.89	1000			
1/2	.500	12.70	2000	PC00500	PR00500	PB00500
17/32	.531	13.49	1000			
9/16	.562	14.27	2000	PC00562	PR00562	PB00562
19/32	.594	15.09	1000			
5/8	.625	15.88	2000	PC00625	PR00625	PB00625
21/32	.656	16.66	1000			
11/16	.687	17.45	1000	PC00687	PR00687	PB00687
23/32	.719	18.26	1000			
3/4	.750	19.05	1000	PC00750	PR00750	PB00750
13/16	.812	20.62	1000	PC00812	PR00812	PB00812
7/8	.875	22.23	500	PC00875	PR00875	PB00875
15/16	.937	23.80	500	PC00937	PR00937	PB00937
1	1.000	25.40	500	PC01000	PR01000	PB01000
1-1/16	1.062	26.97	500	PC01062	PR01062	PB01062
1-1/8	1.125	28.58	500	PC01125	PR01125	PB01125
1-3/16	1.187	30.15	500	PC01187	PR01187	PB01187
1-1/4	1.250	31.75	500	PC01250	PR01250	PB01250
1-5/16	1.312	33.32	500	PC01312	PR01312	PB01312
1-3/8	1.375	34.93	500	PC01375	PR01375	PB01375
1-7/16	1.437	36.50	500	PC01437	PR01437	PB01437
1-1/2	1.500	38.10	500	PC01500	PR01500	PB01500
1-9/16	1.562	39.67	500	PC01562	PR01562	PB01562
1-5/8	1.625	41.28	250	PC01625	PR01625	PB01625
1-11/16	1.687	42.85	250	PC01687	PR01687	PB01687
1-3/4	1.750	44.45	250	PC01750	PR01750	PB01750
1-13/16	1.812	46.02	250	PC01812	PR01812	PB01812

Continued on page 84.

Die-Cut Discs Series

Polyester, Polyimide, Cloth and Paper Masking Tape Discs



Ideal for powder coating, wave soldering, thermal and electrical insulation.

Ideal for thermal spray and powder coating. Excellent abrasion and solvent resistance with strong tensile strength.



Ideal for low-temperature and wet applications, including liquid and spray painting.

Ideal for low-temperature and wet applications, including liquid and spray painting.

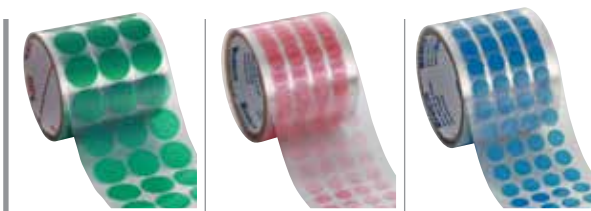
Description				KP-SH	GC-SH	KD-SH	EZ-SH
Item Category				Polyimide	Glass Cloth	Crepe Paper	Crepe Paper
Film Type				500°F (260°C)	500°F (260°C)	300°F (149°C)	200°F (93°C)
Max. Temperature				Amber	White	Off-White	Off-White
Color				1 mil	5.4 mil	7.5±	7.5±
Film				1.5 mil	2.1 mil		
Adhesive				Silicone	Silicone	Acrylic	Acrylic
Adhesive Type				Extreme High Temperature		Low Temperature	
Size			Quantity Per Roll				
Fraction	Decimal	Metric					
3/32	.093	2.36	1000			KD00093	EZ00093
1/8	.125	3.18	2000	KP00125	GC00125	KD00125	EZ00125
5/32	.156	3.96	1000			KD00156	EZ00156
3/16	.187	4.75	2000	KP00187	GC00187	KD00187*	EZ00187
7/32	.218	5.54	1000			KD00218	EZ00218
1/4	.250	6.35	2000	KP00250	GC00250	KD00250*	EZ00250
9/32	.281	7.14	1000			KD00281	EZ00281
5/16	.312	7.92	2000	KP00312	GC00312	KD00312*	EZ00312
11/32	.343	8.71	1000			KD00343	EZ00343
3/8	.375	9.53	2000	KP00375	GC00375	KD00375*	EZ00375
13/32	.406	10.31	1000			KD00406	EZ00406
7/16	.437	11.10	2000	KP00437	GC00437	KD00437*	EZ00437
15/32	.468	11.89	1000			KD00468	EZ00468
1/2	.500	12.70	2000	KP00500	GC00500	KD00500*	EZ00500
17/32	.531	13.49	1000			KD00531	EZ00531
9/16	.562	14.27	2000	KP00562	GC00562	KD00562*	EZ00562
19/32	.594	15.09	1000			KD00594	EZ00594
5/8	.625	15.88	2000	KP00625	GC00625	KD00625*	EZ00625
21/32	.656	16.66	1000			KD00656	EZ00656
11/16	.687	17.45	1000	KP00687	GC00687	KD00687*	EZ00687
23/32	.719	18.26	1000			KD00719	EZ00719
3/4	.750	19.05	1000	KP00750	GC00750	KD00750*	EZ00750
13/16	.812	20.62	1000	KP00812	GC00812	KD00812*	EZ00812
7/8	.875	22.23	500	KP00875	GC00875	KD00875*	EZ00875
15/16	.937	23.80	500	KP00937	GC00937	KD00937*	EZ00937
1	1.000	25.40	500	KP01000	GC01000	KD01000*	EZ01000
1-1/16	1.062	26.97	500	KP01062	GC01062	KD01062	EZ01062
1-1/8	1.125	28.58	500	KP01125	GC01125	KD01125	EZ01125
1-3/16	1.187	30.15	500	KP01187	GC01187	KD01187	EZ01187
1-1/4	1.250	31.75	500	KP01250	GC01250	KD01250	EZ01250
1-5/16	1.312	33.32	500	KP01312	GC01312	KD01312	EZ01312
1-3/8	1.375	34.93	500	KP01375	GC01375	KD01375	EZ01375
1-7/16	1.437	36.50	500	KP01437	GC01437	KD01437	EZ01437
1-1/2	1.500	38.10	500	KP01500	GC01500	KD01500	EZ01500
1-9/16	1.562	39.67	500	KP01562	GC01562	KD01562	EZ01562
1-5/8	1.625	41.28	250	KP01625	GC01625	KD01625	EZ01625
1-11/16	1.687	42.85	250	KP01687	GC01687	KD01687	EZ01687
1-3/4	1.750	44.45	250	KP01750	GC01750	KD01750	EZ01750
1-13/16	1.812	46.02	250	KP01812	GC01812	KD01812	EZ01812

Continued on page 85.

* Overlapped from 3/16" to 1" for rapid application.
± Total thickness

Die-Cut Discs Series

Polyester, Polyimide, Cloth and Paper Masking Tape Discs (cont.)



Ideal for powder coating and e-coating.

Ideal for powder coating and e-coating.

Ideal for powder coating and e-coating.

Description				PC-SH	PR-SH	PB-SH
Item Category				Polyester	Polyester	Polyester
Film Type				400°F (204°C)	425°F (220°C)	400°F (204°C)
Max. Temperature				Green	Red	Blue
Color				2 mil	2 mil	1 mil
Film				1.5 mil	1.5 mil	2 mil
Adhesive				Silicone	Silicone	Silicone
Adhesive Type				Standard Polyester (High Temperature)		
Size			Quantity Per Roll			
Fraction	Decimal	Metric		PC01875	PR01875	PB01875
1-7/8	1.875	47.63	250	PC01937	PR01937	PB01937
1-15/16	1.937	49.20	250	PC02000	PR02000	PB02000
2	2.000	50.80	100			
2-1/8	2.125	53.98	100	PC02250	PR02250	PB02250
2-1/4	2.250	57.15	100			
2-3/8	2.375	60.33	100	PC02500	PR02500	PB02500
2-1/2	2.500	63.50	100			
2-5/8	2.625	66.68	100	PC02750	PR02750	PB02750
2-3/4	2.750	69.85	100			
2-7/8	2.875	73.03	100			
3	3.000	76.20	100	PC03000	PR03000	PB03000
3-1/4	3.250	82.55	100	PC03250	PR03250	PB03250
3-1/2	3.500	88.90	100	PC03500	PR03500	PB03500
3-3/4	3.750	95.25	100	PC03750	PR03750	PB03750
4	4.000	101.60	100	PC04000	PR04000	PB04000
4-1/4	4.250	107.95	100	PC04250	PR04250	PB04250
4-1/2	4.500	114.30	100	PC04500	PR04500	PB04500
4-3/4	4.750	120.65	100	PC04750	PR04750	PB04750
5	5.000	127.00	100	PC05000	PR05000	PB05000
5-1/4	5.250	133.35	100	PC05250	PR05250	PB05250
5-1/2	5.500	139.70	100	PC05500	PR05500	PB05500
5-3/4	5.750	146.05	100	PC05750	PR05750	PB05750
6	6.000	152.40	100	PC06000	PR06000	PB06000

Metric sizes on page 86.

Polyester, Polyimide, Cloth and Paper Masking Tape Discs (cont.)

Die-Cut Discs Series



Ideal for powder coating, wave soldering, thermal and electrical insulation.

Ideal for thermal spray and powder coating. Excellent abrasion and solvent resistance with strong tensile strength.

Description				KP-SH	GC-SH
Item Category				Polymide	Glass Cloth
Film Type				500°F (260°C)	500°F (260°C)
Max. Temperature				Amber	White
Color				1 mil	5.4 mil
Film				1.5 mil	2.1 mil
Adhesive				Silicone	Silicone
Adhesive Type				Extreme High Temperature	
Size			Quantity Per Roll		
Fraction	Decimal	Metric		KP01875	GC01875
1-7/8	1.875	47.63	250	KP01937	GC01937
1-15/16	1.937	49.20	250	KP02000	GC02000
2	2.000	50.80	100		
2-1/8	2.125	53.98	100	KP02250	
2-1/4	2.250	57.15	100		
2-3/8	2.375	60.33	100	KP02500	GC02500
2-1/2	2.500	63.50	100		
2-5/8	2.625	66.68	100	KP02750	GC02750
2-3/4	2.750	69.85	100		
2-7/8	2.875	73.03	100		
3	3.000	76.20	100	KP03000	GC03000
3-1/4	3.250	82.55	100	KP03250	
3-1/2	3.500	88.90	100	KP03500	
3-3/4	3.750	95.25	100	KP03750	
4	4.000	101.60	100	KP04000	
4-1/4	4.250	107.95	100	KP04250	
4-1/2	4.500	114.30	100	KP04500	
4-3/4	4.750	120.65	100	KP04750	
5	5.000	127.00	100	KP05000	
5-1/4	5.250	133.35	100	KP05250	
5-1/2	5.500	139.70	100	KP05500	
5-3/4	5.750	146.05	100	KP05750	
6	6.000	152.40	100	KP06000	

Metric sizes on page 87.



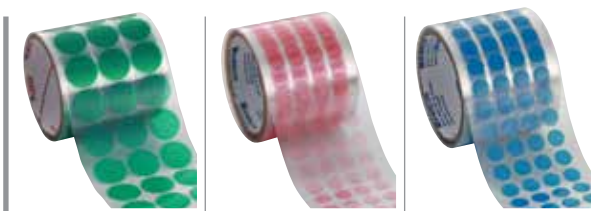
Ideal for all high-temperature finishing processes.

Ideal for powder coating and other high-temperature finishing processes.

Description		KD-SH	EZ-SH
Item Category		Crepe Paper	Crepe Paper
Film Type		300°F (149°C)	200°F (93°C)
Max. Temperature		Off-White	Off-White
Color		7.5±	7.5±
Film			
Adhesive		Acrylic	Acrylic
Adhesive Type		Low Temperature	
Size			Quantity Per Roll
Fraction	Decimal	Metric	
1-7/8	1.875	47.63	1000
1-15/16	1.937	49.20	1000
2	2.000	50.80	500
2-1/8	2.125	53.98	500
2-1/4	2.250	57.15	500
2-3/8	2.375	60.33	500
2-1/2	2.500	63.50	500
2-5/8	2.625	66.68	500
2-3/4	2.750	69.85	500
2-7/8	2.875	73.03	500
3	3.000	76.20	500
3-1/4	3.250	82.55	500
3-1/2	3.500	88.90	500
3-3/4	3.750	95.25	500
4	4.000	101.60	250
4-1/4	4.250	107.95	250
4-1/2	4.500	114.30	250
4-3/4	4.750	120.65	250
5	5.000	127.00	250
5-1/4	5.250	133.35	250
5-1/2	5.500	139.70	250
5-3/4	5.750	146.05	250
6	6.000	152.40	250

Die-Cut Discs Series

Polyester, Polyimide, Cloth and Paper Masking Tape Discs (cont.)



Ideal for powder coating and e-coating.

Ideal for powder coating and e-coating.

Ideal for powder coating and e-coating.

Description

METRIC SIZES				
Item Category	PC-SH	PR-SH	PB-SH	
Size Width (mm)	Standard Polyester (High Temperature)			Quantity Per Roll
3				
4	PC004MM		PB004MM	2000
5	PC005MM	PR005MM	PB005MM	2000
6	PC006MM			2000
7	PC007MM			2000
8	PC008MM			2000
9	PC009MM		PB009MM	2000
10	PC010MM	PR010MM		2000
11	PC011MM			2000
12	PC012MM	PR012MM		2000
13	PC013MM			2000
14	PC014MM	PR014MM		2000
15	PC015MM			2000
16	PC016MM	PR016MM		2000
17	PC017MM			1000
18	PC018MM	PR018MM	PB018MM	1000
19	PC019MM			1000
20	PC020MM	PR020MM	PB020MM	1000
21	PC021MM			1000
22	PC022MM		PB022MM	500
23	PC023MM			500
24	PC024MM			500
25	PC025MM	PR025MM		500
29	PC029MM			500
30	PC030MM	PR030MM		500
33	PC033MM			500
34	PC034MM			500
35	PC035MM	PR035MM	PB035MM	250
36	PC036MM			250
40	PC040MM		PB040MM	250
45	PC045MM	PR045MM		250
48	PC048MM			250
50	PC050MM			250
55	PC055MM			250
60	PC060MM	PR060MM		250
65	PC065MM			250
70	PC070MM	PR070MM		250
75	PC075MM			100
80	PC080MM			100
85	PC085MM			100
90	PC090MM			100
95	PC095MM			100
100	PC100MM	PR100MM		100
105				100
110	PC110MM			100
120	PC120MM			100
130	PC130MM			100
140	PC140MM			100
150	PC150MM			100

Polyester, Polyimide, Cloth and Paper Masking Tape Discs (cont.)

Die-Cut Discs Series



Ideal for powder coating, wave soldering, thermal and electrical insulation.

Ideal for thermal spray and powder coating. Excellent abrasion and solvent resistance with strong tensile strength.

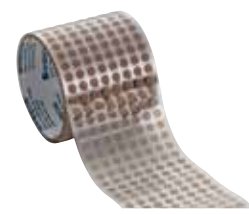
Ideal for all high-temperature finishing processes.

Ideal for powder coating and other high-temperature finishing processes.

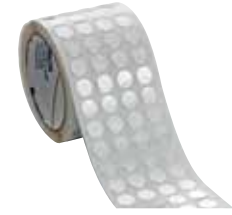
Description

METRIC SIZES						
Item Category	KP-SH	GC-SH	KD-SH	EZ-SH		
Size Width (mm)	Extreme High Temperature		Low Temperature		Quantity Per Roll	
3					5000	KD003MM EZ003MM
4	KP004MM				5000	KD004MM EZ004MM
5					5000	KD005MM EZ005MM
6	KP006MM				5000	KD006MM EZ006MM
7					5000	KD007MM EZ007MM
8	KP008MM				5000	KD008MM EZ008MM
9	KP009MM	GC009MM			5000	KD009MM EZ009MM
10	KP010MM				5000	KD010MM EZ010MM
11	KP011MM				5000	KD011MM EZ011MM
12	KP012MM				5000	KD012MM EZ012MM
13	KP013MM				5000	KD013MM EZ013MM
14					5000	KD014MM EZ014MM
15	KP015MM				5000	KD015MM EZ015MM
16	KP016MM				5000	KD016MM EZ016MM
17	KP017MM				5000	KD017MM EZ017MM
18					5000	KD018MM EZ018MM
19	KP019MM				5000	KD019MM EZ019MM
20	KP020MM				5000	KD020MM EZ020MM
21					5000	KD021MM EZ021MM
22					2000	KD022MM EZ022MM
23					2000	KD023MM EZ023MM
24					2000	KD024MM EZ024MM
25		GC025MM			2000	KD025MM EZ025MM
29						
30	KP030MM	GC030MM			2000	KD030MM EZ030MM
33					2000	KD033MM
34						
35					2000	KD035MM EZ035MM
36						
40	KP040MM	GC040MM			2000	KD040MM EZ040MM
45					2000	KD045MM EZ045MM
48						
50	KP050MM				500	KD050MM EZ050MM
55					500	KD055MM EZ055MM
60					500	KD060MM EZ060MM
65					500	KD065MM EZ065MM
70					500	KD070MM EZ070MM
75					500	KD075MM EZ075MM
80					500	KD080MM EZ080MM
85					500	KD085MM EZ085MM
90					500	KD090MM EZ090MM
95						KD095MM
100					250	KD100MM EZ100MM
105					250	EZ105MM
110					250	KD110MM EZ110MM
120					250	KD120MM EZ120MM
130					250	KD130MM EZ130MM
140						KD140MM
150					250	KD150MM EZ150MM

Die-Cut Discs Series Plating/Anodizing Discs



Versatile material that is highly conformable and resistant to most chemicals.



Ideal for painting, stripping and electroplating. Thermally conductive and resistant to chemicals and moisture.



Best suited from chrome, cadmium, nickel plating and chemical milling. Acid-resistant and electrically conductive.

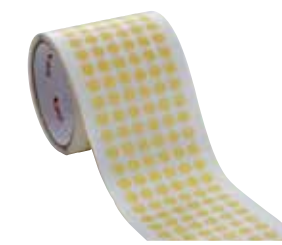
Description

Item Category				TF-SH	AF-SH*	LF-SH			
Material				Teflon®	Aluminum Foil	Lead Foil			
Max. Temperature				400°F (204°C)	300°F (149°C)	225°F (107°C)			
Color				Grey	Silver	Silver			
Film				2 mil	2.8 mil	4.7			
Adhesive				1.7 mil	1.8 mil	2.1			
Adhesive Type				Silicone	Acrylic	Foil			
Size			Quantity Per Roll	High Temperature			Low Temperature		
Fraction	Decimal	Metric		TF	AF	LF	TF	AF	LF
1/8	.125	3.18	2000	TF00125	AF00125	LF00125			
3/16	.187	4.75	2000	TF00187	AF00187	LF00187			
1/4	.250	6.35	2000	TF00250	AF00250	LF00250			
5/16	.312	7.92	2000	TF00312	AF00312	LF00312			
3/8	.375	9.53	2000	TF00375	AF00375	LF00375			
7/16	.437	11.10	2000	TF00437	AF00437	LF00437			
1/2	.500	12.70	2000	TF00500	AF00500	LF00500			
9/16	.562	14.27	2000	TF00562	AF00562	LF00562			
5/8	.625	15.88	2000	TF00625	AF00625	LF00625			
11/16	.687	17.45	1000	TF00687	AF00687	LF00687			
3/4	.750	19.05	1000	TF00750	AF00750	LF00750			
13/16	.812	20.62	1000	TF00812	AF00812	LF00812			
7/8	.875	22.23	500	TF00875	AF00875	LF00875			
15/16	.937	23.80	500	TF00937	AF00937	LF00937			
1	1.000	25.40	500	TF01000	AF01000	LF01000			
1-1/16	1.062	26.97	500	TF01062	AF01062	LF01062			
1-1/8	1.125	28.58	500	TF01125	AF01125	LF01125			
1-3/16	1.187	30.15	500	TF01187	AF01187	LF01187			
1-1/4	1.250	31.75	500	TF01250	AF01250	LF01250			
1-5/16	1.312	33.32	500	TF01312	AF01312	LF01312			
1-3/8	1.375	34.93	500	TF01375	AF01375	LF01375			
1-7/16	1.437	36.50	500	TF01437	AF01437	LF01437			
1-1/2	1.500	38.10	500	TF01500	AF01500	LF01500			
1-9/16	1.562	39.67	500	TF01562	AF01562	LF01562			
1-5/8	1.625	41.28	250	TF01625	AF01625	LF01625			
1-11/16	1.687	42.85	250	TF01687	AF01687	LF01687			
1-3/4	1.750	44.45	250	TF01750	AF01750	LF01750			
1-13/16	1.812	46.02	250	TF01812	AF01812	LF01812			
1-7/8	1.875	47.63	250	TF01875	AF01875	LF01875			
1-15/16	1.937	49.20	250	TF01937	AF01937	LF01937			
2	2.000	50.80	100	TF02000	AF02000	LF02000			

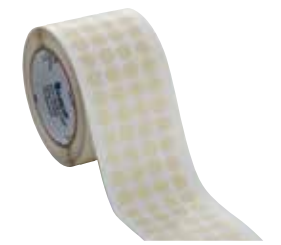
Metric sizes continue on page 90.

*Government specifications: SAE-AMS-T-23397
Tape rolls also available in standard widths.

Plating/Anodizing Discs Die-Cut Discs Series



Highly conformable and resistant to chemicals and abrasion.



Ideal for hard and soft anodizing. Conformable and resistant to chemicals and abrasion.

Description

Item Category				EV-SH**	AD-SH†
Material				Electroplaters Vinyl	Anodizing Vinyl
Max. Temperature				170°F (77°C)	170°F (77°C)
Color				White	Tan
Film				6.3 mil	5.7 mil
Adhesive				.8 mil	1 mil
Adhesive Type				Rubber	Rubber
Size			Quantity Per Roll	Low Temperature	
Fraction	Decimal	Metric		EV	AD
1/8	.125	3.18	5000	EV00125	AD00125
3/16	.187	4.75	5000	EV00187	AD00187
1/4	.250	6.35	5000	EV00250	AD00250
5/16	.312	7.92	5000	EV00312	AD00312
3/8	.375	9.53	5000	EV00375	AD00375
7/16	.437	11.10	5000	EV00437	AD00437
1/2	.500	12.70	5000	EV00500	AD00500
9/16	.562	14.27	5000	EV00562	AD00562
5/8	.625	15.88	5000	EV00625	AD00625
11/16	.687	17.45	4000	EV00687	AD00687
3/4	.750	19.05	4000	EV00750	AD00750
13/16	.812	20.62	4000	EV00812	AD00812
7/8	.875	22.23	2000	EV00875	AD00875
15/16	.937	23.80	2000	EV00937	AD00937
1	1.000	25.40	2000	EV01000	AD01000
1-1/16	1.062	26.97	2000	EV01062	AD01062
1-1/8	1.125	28.58	2000	EV01125	AD01125
1-3/16	1.187	30.15	2000	EV01187	AD01187
1-1/4	1.250	31.75	2000	EV01250	AD01250
1-5/16	1.312	33.32	2000	EV01312	AD01312
1-3/8	1.375	34.93	2000	EV01375	AD01375
1-7/16	1.437	36.50	2000	EV01437	AD01437
1-1/2	1.500	38.10	2000	EV01500	AD01500
1-9/16	1.562	39.67	2000	EV01562	AD01562
1-5/8	1.625	41.28	1000	EV01625	AD01625
1-11/16	1.687	42.85	1000	EV01687	AD01687
1-3/4	1.750	44.45	1000	EV01750	AD01750
1-13/16	1.812	46.02	1000	EV01812	AD01812
1-7/8	1.875	47.63	1000	EV01875	AD01875
1-15/16	1.937	49.20	1000	EV01937	AD01937
2	2.000	50.80	500	EV02000	AD02000

Metric sizes continue on page 91.

** Not recommended for use with ketones, chlorinated hydrocarbons and esters.
† Specification: HH-T-0025
Tape rolls also available in standard widths.

Die-Cut Discs Series Plating/Anodizing Discs

Plating/Anodizing Discs Die-Cut Discs Series

METRIC SIZES

Item Category		TF-SH	AF-SH*	LF-SH
Size	Quantity Per Roll			
Width (mm)				
3	2000	TF003MM	AF003MM	
4	2000	TF004MM	AF004MM	LF004MM
5	2000	TF005MM	AF005MM	
6	2000	TF006MM	AF006MM	LF006MM
7	2000	TF007MM	AF007MM	LF007MM
8	2000	TF008MM	AF008MM	LF008MM
9	2000	TF009MM	AF009MM	LF009MM
10	2000	TF010MM	AF010MM	LF010MM
11	2000	TF011MM	AF011MM	
12	2000	TF012MM	AF012MM	LF012MM
13	2000	TF013MM	AF013MM	LF013MM
14	2000	TF014MM	AF014MM	LF014MM
15	2000	TF015MM	AF015MM	LF015MM
16	2000	TF016MM	AF016MM	LF016MM
17	1000	TF017MM	AF017MM	
18	1000	TF018MM	AF018MM	LF018MM
19	1000	TF019MM	AF019MM	LF019MM
20	1000	TF020MM	AF020MM	LF020MM
21	1000	TF021MM	AF021MM	
22	500	TF022MM	AF022MM	LF022MM
23	500	TF023MM	AF023MM	
24	500	TF024MM	AF024MM	
25	500	TF025MM	AF025MM	LF025MM
30	500	TF030MM	AF030MM	LF030MM
35	250	TF035MM	AF035MM	LF035MM
37	500			LF037MM
40	250	TF040MM	AF040MM	
45	250	TF045MM	AF045MM	
50	250	TF050MM	AF050MM	

*Government specifications: SAE-AMS-T-23397
Tape rolls also available in standard widths.

METRIC SIZES

Item Category		EV-SH**	AD-SH†
Size	Quantity Per Roll		
Width (mm)			
3	5000	EV003MM	AD003MM
4	5000	EV004MM	AD004MM
5	5000	EV005MM	AD005MM
6	5000	EV006MM	AD006MM
7	5000	EV007MM	AD007MM
8	5000	EV008MM	AD008MM
9	5000	EV009MM	AD009MM
10	5000	EV010MM	AD010MM
11	5000	EV011MM	AD011MM
12	5000	EV012MM	AD012MM
13	5000	EV013MM	AD013MM
14	5000	EV014MM	AD014MM
15	5000	EV015MM	AD015MM
16	5000	EV016MM	AD016MM
17	5000	EV017MM	AD017MM
18	5000	EV018MM	AD018MM
19	5000	EV019MM	AD019MM
20	5000	EV020MM	AD020MM
21	5000	EV021MM	AD021MM
22	2000	EV022MM	AD022MM
23	2000	EV023MM	AD023MM
24	2000	EV024MM	AD024MM
25	2000	EV025MM	AD025MM
30	2000	EV030MM	AD030MM
35	2000	EV035MM	AD035MM
40	2000	EV040MM	AD040MM
45	2000	EV045MM	AD045MM
50	500	EV050MM	AD050MM

** Not recommended for use with ketones, chlorinated hydrocarbons and esters.
† Specification: HH-T-0025
Tape rolls also available in standard widths.

AIR-SH Series

A Masking Highlight: Aircraft Windows

Paint removal masks safeguard windows by forming an impenetrable barrier against chemical action. The masks are pre-cut to aircraft window sizes from high-quality pressure sensitive aluminum foil.

Paint masks fit like a template over the entire window assembly to protect against paint overspray. The material is a strong, crepe-masking tape, pre-cut to window-to-window dimensions and carried on an easily removed liner.

Masks can be ordered in either aluminum for stripping applications, or paper for painting applications. Custom masks for any aircraft can be manufactured to your specifications. Contact customer service for details.

Material: Crepe paper or Aluminum



A Masking Highlight: Aircraft Windows AIR-SH Series

Model & Caplugs No.											
Add suffix to Caplugs No. for Item Number to order											
AL = Aluminum											
P = Paper											
Airbus	Boeing*	Bombardier	British Aerospace	Cessna	DeHavilland	Fokker	Falcon Jet*	Gulfstream	Lockheed	McDonnell Douglas	Tupolev
A300	B707	CRJ200	BAC111	Citation	DHC8	F27	F50	Cockpit: GUL-C	C130	MD11	TU-154
A310	B720		BAE146			F28	F100	Porthole: GUL	L1011	MD80	
A320	B727						F200			MD81	
A330	B737						F900			MD82	
	B747									MD83	
	B757									MD90	
	B767									DC8	
	B777									DC9	
										DC10	

*Available in Small, Medium & Large (Add "S", "M", or "L" to end of item number to order)

*Also Available in Mylar

PCD-SH Series

PC21 Green Polyester Tape Donuts

A die-cut donut version of our PC21 high-temperature polyester film tape. It is the industry standard for general purpose powder coating applications. It is used to mask off areas that do not require coating. Recommended for powder coating, e-coating and anodizing.

- Recommended temperatures up to 400°F (204°C)
- 2 mil polyester, 1.5 mil silicone adhesive
- Silicone adhesive will not leave an adhesive residue

Material: Polyester **Color:** Green



PC21 Green Polyester Tape Donuts PCD-SH Series

Caplugs No.	Dimensions				Packaging Quantity Per Roll
	Width		Length		
	I.D. In	I.D. mm	O.D. In	O.D. mm	
PCD 125x500	.125	3.17	.500	12.70	1000
PCD 187x500	.187	4.75	.500	12.70	1000
PCD 250x500	.250	6.35	.500	12.70	1000
PCD 250x750	.250	6.35	.750	19.05	1000
PCD 125x312	.125	3.17	.312	7.92	1000
PCD 156x375	.156	3.96	.375	14.27	1000
PCD 250x562	.250	6.35	.562	14.27	1000
PCD 281x625	.281	7.13	.625	15.87	1000
PCD 375x875	.375	9.52	.875	22.22	1000
PCD 406x812	.406	10.31	.812	20.62	1000
PCD 500x1250	.500	12.70	1.250	31.75	500
PCD 562x1375	.562	14.27	1.375	34.92	500

PC-SH Series

PC21 Green Polyester Tape Squares

A die-cut square version of our PC21 high-temperature polyester film tape. It is the industry standard for general purpose powder coating applications. It is used to mask off areas that do not require coating. Recommended for powder coating, e-coating and anodizing.

- Recommended temperatures up to 400°F (204°C)
- 2 mil polyester, 1.5 mil silicone adhesive
- Silicone adhesive will not leave an adhesive residue

Material: Polyester **Color:** Green



PC21 Green Polyester Tape Squares PC-SH Series

Caplugs No.	Dimensions				Packaging Quantity Per Roll
	Width		Length		
	In	mm	In	mm	
PC 0250 SQ	.250	6.35	.250	6.35	1000
PC 0375 SQ	.375	9.52	.375	9.52	1000
PC 0500 SQ	.500	12.70	.500	12.70	1000
PC 0625 SQ	.625	15.87	.625	15.87	1000
PC 0750 SQ	.750	19.05	.750	19.05	1000
PC 01000 SQ	1.000	25.40	1.000	25.40	500
PC 01500 SQ	1.500	38.10	1.500	38.10	500
PC 02000 SQ	2.000	50.80	2.000	50.80	250

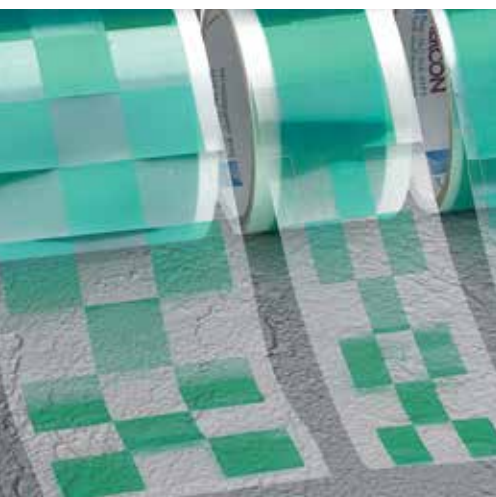
PC-SH Series

PC21 Green Polyester Tape Rectangles

A die-cut rectangle version of our PC21 high-temperature polyester film tape. It is the industry standard for general purpose powder coating applications. It is used to mask off areas that do not require coating. Recommended for powder coating, e-coating and anodizing.

- Recommended temperatures up to 400°F (204°C)
- 2 mil polyester, 1.5 mil silicone adhesive
- Silicone adhesive will not leave an adhesive residue

Material: Polyester **Color:** Green



PC21 Green Polyester Tape Rectangles PC-SH Series

Caplugs No.	Dimensions				Packaging Quantity Per Roll
	Width		Length		
	In	mm	In	mm	
PC 250x500 RT	.250	6.35	.500	12.70	1000
PC 250x750 RT	.250	6.35	.750	19.05	1000
PC 250x1000 RT	.250	6.35	1.000	25.40	1000
PC 500x750 RT	.500	12.70	.750	19.05	1000
PC 500x1000 RT	.500	12.70	1.000	25.40	1000
PC 750x1000 RT	.750	19.05	1.000	25.40	500

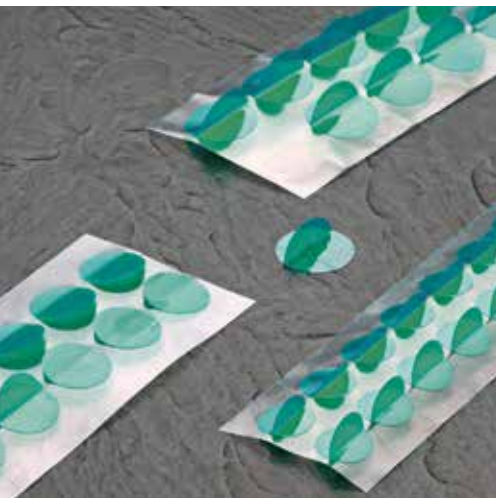
WBD-SH Series

Wishbone™ Discs

WBD-SH Series Wishbone™ Discs have a unique tab for easy application and removal. Commonly used during powder coating and anodizing applications.

- Recommended temperatures up to 400°F (204°C)
- 2 mil polyester, 1.5 mil silicone adhesive
- Quick removal tab
- Will not leave residue when removed
- * Patent Protected, US Patent #6,656,558
International Patents in Force

Material: Polyester **Color:** Green



Wishbone™ Discs WBD-SH Series

Caplugs No.	Diameter			Discs Per Roll
	Fraction	In	mm	
WBD00394	.394	-	10	500
WBD00438	.438	7/16	11.1	500
WBD00500	.5	1/2	12.7	500
WBD00563	.563	9/16	14.3	500
WBD00594	.594	19/32	15.1	500
WBD00626	.626	-	15.9	500
WBD00630	.63	-	16	500
WBD00685	.685	11/16	17.4	500
WBD00750	.75	3/4	19	500
WBD00787	.787	-	20	500
WBD00812	.812	13/16	20.6	500
WBD00843	.843	27/32	21.4	500
WBD00875	.875	7/8	22.2	500
WBD01000	1	1	25.4	500
WBD01063	1.063	11/16	27	500
WBD01125	1.125	11/8	28.6	500
WBD01250	1.25	11/4	31.8	500
WBD01375	1.375	13/8	34.9	500
WBD01500	1.5	11/2	38.1	500
WBD01625	1.625	15/8	41.3	250
WBD01750	1.75	13/4	44.5	250
WBD01875	1.875	17/8	47.6	250
WBD02000	2	2	50.8	250
WBD02250	2.25	2-1/4	57.2	100
WBD02375	2.375	2-3/8	60.3	100
WBD02500	2.5	2-1/2	63.5	100
WBD02750	2.75	2-3/4	69.9	100
WBD03000	3	3	76.2	100
WBD04000	4	4	101.6	100

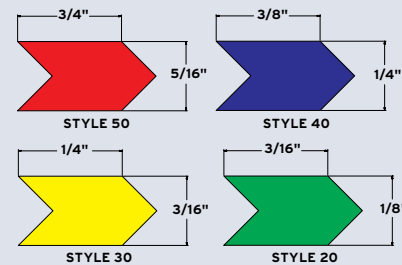
AR-SH and CD-SH Series

Inspection/Identification Arrows and Dots

Inspection/Identification Arrows and Dots can be permanently affixed or removed without leaving any residue. They are color-coded to identify and point directly to problem areas on any equipment.

- Recommended temperatures up to 425°F (220°C)
- Use for flagging, identification, quality inspections or to indicate repair

Material: Paper or Vinyl **Color:** See chart for color coding



Inspection/Identification Arrows and Dots AR-SH and CD-SH Series

Z = Paper
F = Fluorescent
V = Vinyl

Materials	Colors	CD-SH Dots Part No.	AR-SH Arrows Part No.	Quantity
Paper	Standard Red, Orange, White, Green, Yellow, Blue	401Z	20Z	1M/5M
		403Z	30Z	1M/5M
		405Z	40Z	1M/5M
		407Z	50Z	1M/5M
		411Z		1M/5M
	Fluorescent Red, Pink, Yellow, Black	401F	20ZF	1M/5M
		403F	30ZF	1M/5M
		405ZF	40ZF	1M/5M
		407ZF	50ZF	1M/5M
		407ZF		1M/5M
Vinyl	Red, Blue, Yellow, Green, Black, Brown, White, Orange	401ZV	20ZV	1M/5M
		403ZV	30ZV	1M/5M
		405ZV	40ZV	1M/5M
		407ZV	50ZV	1M/5M
		407ZV		1M/5M

Hook Series

V-Hooks, S-Hooks, C-Hooks, CV-Hooks

Our hooks are ideal for both powder and e-coating processes. They are manufactured from high-quality spring-tempered steel.

- Minimal hook mark
- Solid metal-to-metal contact for increased conductivity
- Consistent grounding for more cycles
- Increased hook life without stripping (burn off)
- Over 200 standard sizes

Material: Spring-tempered steel **Color:** Metal



Custom Hooks

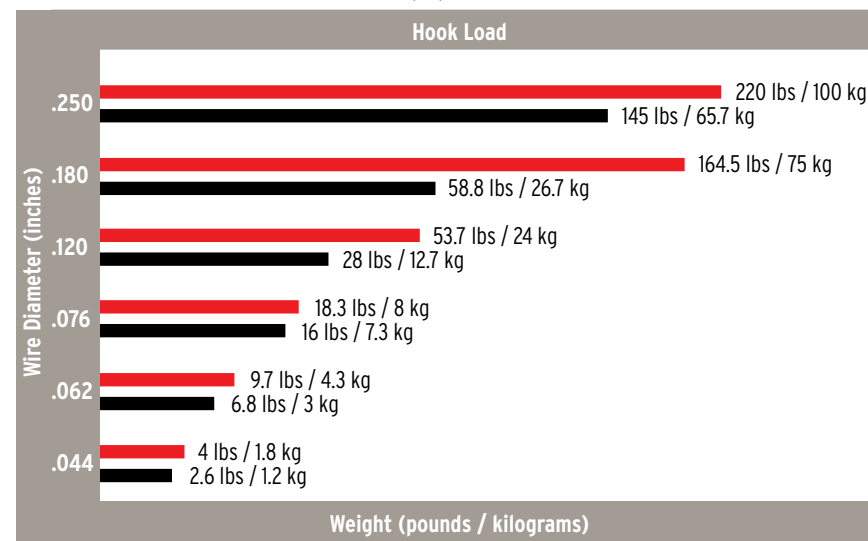
Through state-of-the-art equipment, we have the capability to manufacture custom hooks. Caplugs will supply samples, formed to your exact specifications, within 2 days. Call us today.

Hook Part Numbers

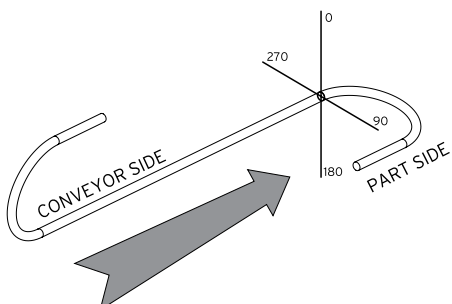
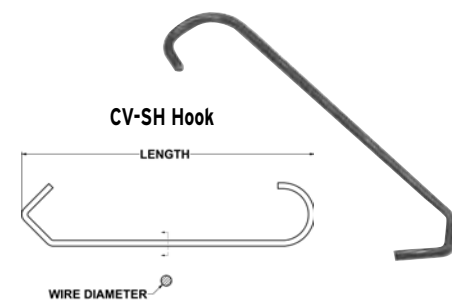
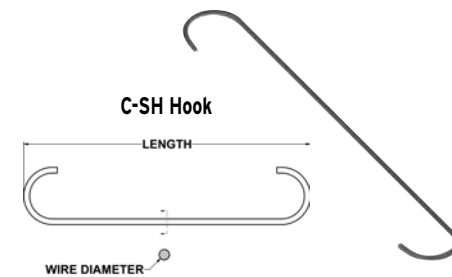
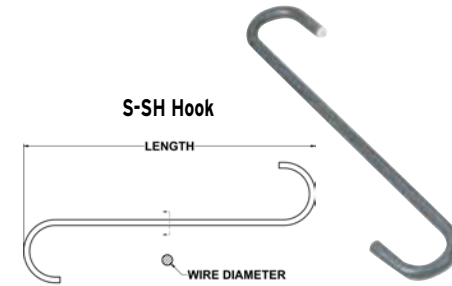
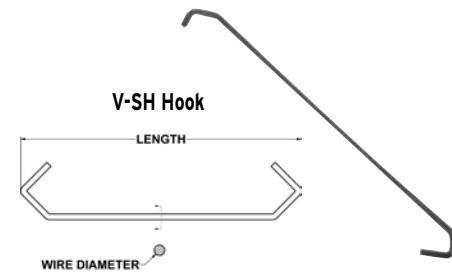
Hook Shape	Hook Wire Diameter	Hook Length	Hook Angle
V	044 (.044")	3"	The hook angle is measured clockwise looking at the bottom hook end.
S	062 (.062")	4"	
C	076 (.076")	5"	
CV	120 (.120")	6"	
SQV	180 (.180")	10"	

Hook Loads

■ V-Hooks ■ C-, S-, CV-Hooks



This load data was compiled under static load conditions in a laboratory and is given for reference only. The actual dynamic load capacity will vary. It is the customer's obligation to determine whether the actual dynamic load capacity is suitable for the customer's purpose.



V-Hooks, S-Hooks, C-Hooks, CV-Hooks Hook Series

V-SH Hooks	S-SH Hooks	C-SH Hooks	CV-SH Hooks	Dimensions				Angle	Packaging Quantity Per Bag
				Wire Diameter		Length			
				In	mm	In	mm		
V-044-2			CV-044-2	.044	1.12	2	50.80		1000
V-062-2.5			CV-062-2	.062	1.57	2.5	63.50		1000
V-062-2.5-90				.062	1.57	2.5	63.50	90	1000
V-076-2.5			CV-076-2	.076	1.93	2.5	63.50		1000
V-044-3	S-044-3	C-044-3	CV-044-3	1.12	.044	3	76.20		1000
V-062-3	S-062-3	C-062-3		.062	1.57	3	76.20		1000
V-062-3-90		C-062-3-90		.062	1.57	3	76.20	90	1000
V-076-3	S-076-3	C-076-3		.076	1.93	3	76.20		1000
V-044-4		C-044-4		.044	1.12	4	101.60		1000
V-062-4	S-062-4	C-062-4	CV-062-4	.062	1.57	4	101.60		1000
V-062-4-90		C-062-4-90		.062	1.57	4	101.60	90	1000
V-076-4	S-076-4	C-076-4	CV-076-4	.076	1.93	4	101.60		1000
V-076-4-90				.076	1.93	4	101.60	90	1000
V-120-4			CV-120-4	.120	3.05	4	101.60		1000
V-120-4-90				.120	3.05	4	101.60	90	1000
V-180-4			CV-180-4	.180	4.57	4	101.60		1000
V-180-5	S-180-5			.180	4.57	5	127.00		1000
V-062-6	S-062-6	C-062-6	CV-062-6	.062	1.57	6	152.40		1000
V-062-6-90				.062	1.57	6	152.40	90	1000
V-076-6	S-076-6	C-076-6	CV-076-6	.076	1.93	6	152.40		1000
V-076-6-90				.076	1.93	6	152.40	90	1000
V-120-6	S-120-6	C-120-6	CV-120-6	.120	3.05	6	152.40		1000
V-076-7			CV-076-7	.076	1.93	7	177.80		1000
V-076-7-90				.076	1.93	7	177.80	90	1000
V-120-7			CV-120-7	.120	3.05	7	177.80		1000
V-120-7-90				.120	3.05	7	177.80	90	1000
V-076-8	S-076-8	C-076-8	CV-076-8	.076	1.93	8	203.20		500
V-076-8-90				.076	1.93	8	203.20	90	500
V-120-8	S-120-8	C-120-8	CV-120-8	.120	3.05	8	203.20		500
V-120-8-90				.120	3.05	8	203.20	90	500
V-180-8	S-180-8	C-180-8	CV-180-8	.180	4.57	8	203.20		250
V-076-10	S-076-10	C-076-10		.076	1.93	10	254.00		500
V-120-10	S-120-10	C-120-10	CV-120-10	.120	3.05	10	254.00		500
V-120-10-90				.120	3.05	10	254.00	90	500
V-180-10	S-180-10	C-180-10		.180	4.57	10	254.00		250
V-076-12				.076	1.93	12	304.80		500
V-076-12-90				.076	1.93	12	304.80	90	500
V-120-12	S-120-12	C-120-12	CV-120-12	.120	3.05	12	304.80		500
V-120-12-90				.120	3.05	12	304.80	90	500
V-180-12	S-180-12	C-180-12		.180	4.57	12	304.80		250
V-076-14				.076	1.93	14	355.60		500
V-076-14-90				.076	1.93	14	355.60	90	500
V-120-14	S-120-14	C-120-14	CV-120-14	.120	3.05	14	355.60		500
V-180-14	S-180-14	C-180-14		.180	4.57	14	355.60		250
			CV-180-16	.180	4.57	16	406.40		250
V-076-18				.076	1.93	18	457.20		500
V-120-18				.120	3.05	18	457.20		250
V-120-18-90				.120	3.05	18	457.20	90	250
V-180-18			CV-180-18	.180	4.57	18	457.20		250
V-180-18-90				.180	4.57	18	457.20	90	250
V-076-24				.076	1.93	24	609.60		500
V-120-24	S-120-24	C-120-24		.120	3.05	24	609.60		250
V-180-24	S-180-24		CV-180-24	.180	4.57	24	609.60		250
V-180-24-90				.180	4.57	24	609.60	90	250
V-120-32				.120	3.05	32	812.80		250
V-180-32				.180	4.57	32	812.80		250

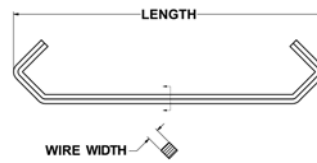
SQV-SH Series

Square V-Hooks

SQV-SH Series Square V-Hooks are ideal for both powder and e-coating processes. They are manufactured from high-quality spring steel.

- Reduced hook mark
- Consistent grounding for more cycles
- Increased hook life without stripping (burn off)

Material: Spring-tempered steel **Color:** Metal



Square V-Hooks SQV-SH Series

Caplugs No.	Dimensions				Packaging Quantity Per Bag
	Wire Width		Length		
	In	mm	In	mm	
SQV-120-4	.120	3.05	4	101.60	1000
SQV-180-4	.180	4.57	4	101.60	500
SQV-250-4	.250	6.35	4	101.60	250
SQV-120-6	.120	3.05	6	152.40	1000
SQV-180-6	.180	4.57	6	152.40	500
SQV-250-6	.250	6.35	6	152.40	250
SQV-120-8	.120	3.05	8	203.20	500
SQV-180-8	.180	4.57	8	203.20	250
SQV-250-8	.250	6.35	8	203.20	250
SQV-120-12	.120	3.05	12	304.80	250
SQV-180-12	.180	4.57	12	304.80	250
SQV-250-12	.250	6.35	12	304.80	125
SQV-120-16	.120	3.05	16	406.40	250
SQV-180-16	.180	4.57	16	406.40	250
SQV-250-16	.250	6.35	16	406.40	125
SQV-120-20	.120	3.05	20	508.00	250
SQV-180-20	.180	4.57	20	508.00	125
SQV-250-20	.250	6.35	20	508.00	125
SQV-120-24	.120	3.05	24	609.60	250
SQV-180-24	.180	4.57	24	609.60	125
SQV-250-24	.250	6.35	24	609.60	125

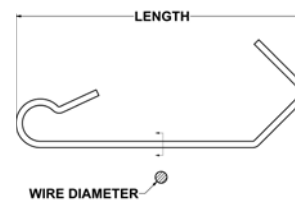
Snap Hooks

SHVA-SH, SHVB-SH, SHVC-SH Snap Hooks

Our Snap Hooks are designed for use during powder and liquid coating processes. They are manufactured from high-quality spring steel.

- Maintains fixed spacing
- Locks firmly into position
- Solid metal-to-metal contact for conductivity
- High load capacity (see load chart)

Material: Spring-tempered steel **Color:** Metal



Snap Hook Part Numbers

Hook Shape	Rod Diameter	Hook Wire Diameter	Hook Angle
SHV	A = 3/16"	044 (.044")	1.75"
	B = 1/4"	062 (.062")	2"
	C = 3/8"	076 (.076")	3"
		120 (.120")	4"
		180 (.180")	6"

Caplugs No.	Dimensions				Packaging Quantity Per Bag
	Wire Diameter		Length		
	In	mm	In	mm	
SHVA-044-1.75	.044	1.12	1.75	44.45	1000
SHVA-062-1.75	.062	1.57	1.75	44.45	1000
SHVA-076-1.75	.076	1.93	1.75	44.45	1000
SHVB-044-1.75	.044	1.12	1.75	44.45	1000
SHVB-062-1.75	.062	1.57	1.75	44.45	1000
SHVB-076-1.75	.076	1.93	1.75	44.45	1000
SHVC-044-1.75	.044	1.12	1.75	44.45	1000
SHVC-062-1.75	.062	1.57	1.75	44.45	1000
SHVC-076-1.75	.076	1.93	1.75	44.45	1000

SHVA-SH, SHVB-SH, SHVC-SH Snap Hooks Snap Hooks

Caplugs No.	Dimensions				Packaging Quantity Per Bag
	Wire Diameter		Length		
	In	mm	In	mm	
SHVA-062-2	.062	1.57	2	50.80	1000
SHVA-076-2	.076	1.93	2	50.80	1000
SHVB-062-2	.062	1.57	2	50.80	1000
SHVB-076-2	.076	1.93	2	50.80	1000
SHVC-062-2	.062	1.57	2	50.80	1000
SHVC-076-2	.076	1.93	2	50.80	1000
SHVA-044-3	.044	1.12	3	76.20	1000
SHVA-062-3	.062	1.57	3	76.20	1000
SHVB-044-3	.044	1.12	3	76.20	1000
SHVB-062-3	.062	1.57	3	76.20	1000
SHVC-044-3	.044	1.12	3	76.20	1000
SHVC-062-3	.062	1.57	3	76.20	1000
SHVA-044-4	.044	1.12	4	101.60	1000
SHVA-062-4	.062	1.57	4	101.60	1000
SHVA-076-4	.076	1.93	4	101.60	1000
SHVB-044-4	.044	1.12	4	101.60	1000
SHVB-062-4	.062	1.57	4	101.60	1000
SHVB-076-4	.076	1.93	4	101.60	1000
SHVC-044-4	.044	1.12	4	101.60	1000
SHVC-062-4	.062	1.57	4	101.60	1000
SHVC-076-4	.076	1.93	4	101.60	1000
SHVA-044-6	.044	1.12	6	152.40	1000
SHVA-062-6	.062	1.57	6	152.40	1000
SHVA-076-6	.076	1.93	6	152.40	1000
SHVB-044-6	.044	1.12	6	152.40	1000
SHVB-062-6	.062	1.57	6	152.40	1000
SHVB-076-6	.076	1.93	6	152.40	1000
SHVC-044-6	.044	1.12	6	152.40	1000
SHVC-062-6	.062	1.57	6	152.40	1000
SHVC-076-6	.076	1.93	6	152.40	1000

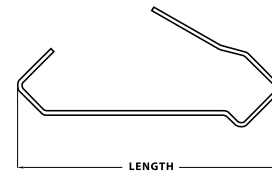
VB-SH Series

Smart Hooks™

VB-SH Series Smart Hooks™ are used with our modular rack and Smart Bar™

- Perfect contact every time
- Hooks lock into position

Material: Spring-tempered steel **Color:** Metal



Smart Hooks™ VB-SH Series

V-Hooks	Dimensions				Angle	Packaging Quantity Per Bag
	Wire Diameter		Length			
	In	mm	In	mm		
VB-047-2-270	.047	1.19	2	50.80	270°	500
VB-047-2.5-270	.047	1.19	2.5	63.50	270°	500
VB-047-3-270	.047	1.19	3	76.20	270°	500
VB-062-3	.062	1.57	3	76.20		500
VB-062-3-270	.062	1.57	3	76.20	270°	500
VB-047-4	.047	1.19	4	101.60		500
VB-062-4	.062	1.57	4	101.60		500
VB-062-4-270	.062	1.57	4	101.60	270°	500
VB-076-4	.076	1.93	4	101.60		500
VB-076-4-270	.076	1.93	4	101.60	270°	500

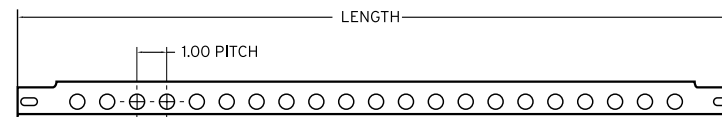
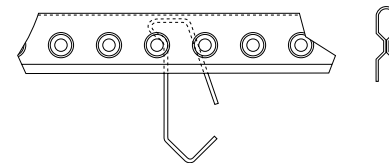
SB-SH Series

Smart Bar™

SB-SH Series Smart Bar™ is used with our modular racks. Design your own custom rack from our list of stock parts.

- Perfect contact every time
- Hooks lock into position

Material: Spring-tempered steel **Color:** Metal



Smart Bar™ SB-SH Series

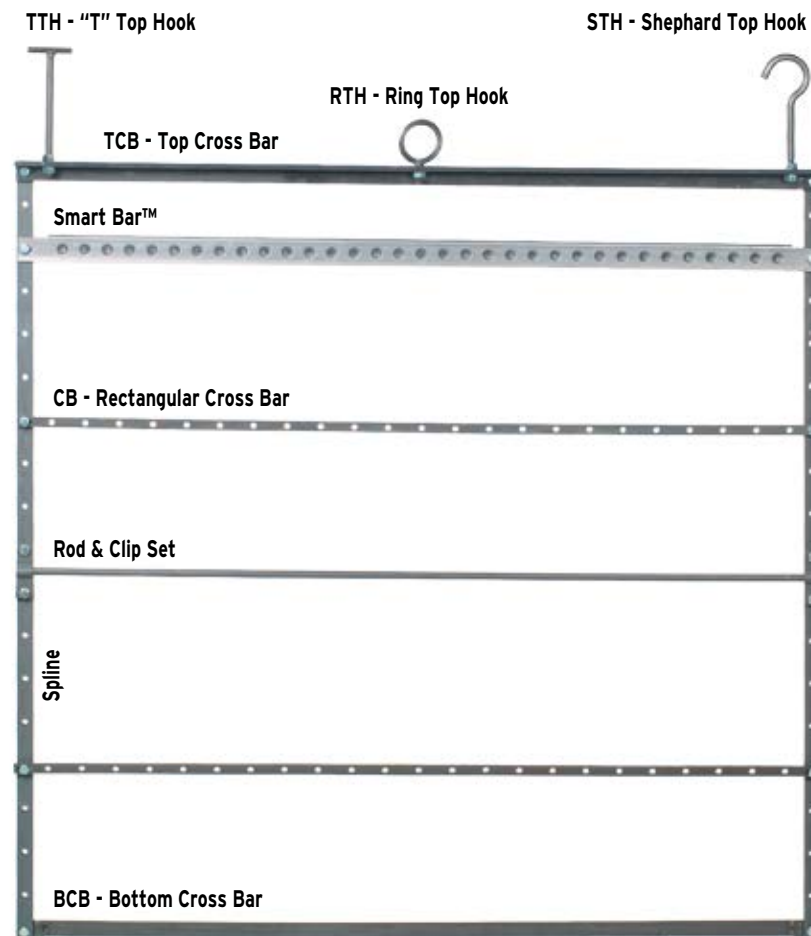
V-Hooks	Dimensions				
	Length		Height		
	In	mm	In	mm	
SB-24	24	609.60	1.260	32.00	
SB-36	36	914.40	1.260	32.00	
SB-48	48	1219.20	1.260	32.00	

Modular Racks

Custom Rack Design

Design your own custom rack from our list of stock parts.

Material: Steel bar and spring steel **Color:** Metal



TCB-SH Series (Top Cross Bars)	
Caplugs No.	Length

TCB-24	24"
TCB-36	36"
TCB-48	48"

SPLINE-SH Series (Splines)	
Caplugs No.	Length

SPLINE-24	24"
SPLINE-36	36"
SPLINE-48	48"

CB-SH Series (Rectangular Cross Bars)	
Caplugs No.	Length

CB-24	24"
CB-36	36"
CB-48	48"

BCB-SH Series (Bottom Cross Bars)	
Caplugs No.	Length

BCB-24	24"
BCB-36	36"
BCB-48	48"

TH-SH Series (Top Hooks)	
--------------------------	--

STH	Shephard Top Hook
TTH	"T" Hook
RTH	Ring Hook

ROD-SH Series (Rod and Clip Sets)	
Caplugs No.	Length

ROD-3/16-24	24"
ROD-3/16-36	36"
ROD-3/16-48	48"
ROD-1/4-24	24"
ROD-1/4-36	36"
ROD-1/4-48	48"
ROD-3/8-24	24"
ROD-3/8-36	36"
ROD-3/8-48	48"



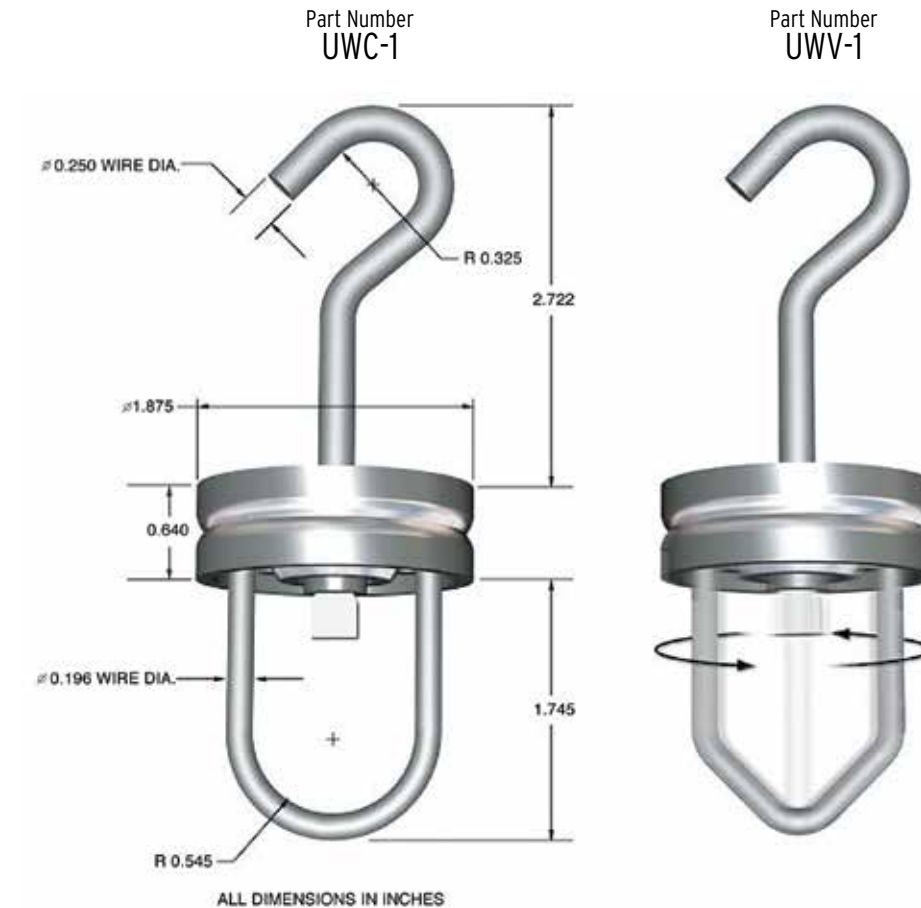
UWH-SH Series

Spin Hooks

UWH-SH Series Spin Hooks are a low-cost solution to increase powder coating capability.

- Ability to rotate part or rack
- Ball bearing construction
- Capable of producing conveyor hooks

Material: Steel **Color:** Metal





With over **6,000** standard masking products and **400** million parts in stock, Caplugs is always ready to deliver a solution.

Easy Ways to Order

After you've found the proper part, Caplugs offers four purchasing options:

- 1** Call Customer Service at **1.888.CAPLUGS**
- 2** Visit **www.caplugs.com/masking**
- 3** Email **sales@caplugs.com**
- 4** Contact your **local sales** representative

Free Samples

In an effort to ensure our customers are purchasing the appropriate size, functionality and fit for their needs, **free masking samples are available.**



When Ordering on the Web

There are two payment options for your convenience:

• Purchasing on account

- Call customer service at **1.888.CAPLUGS** to activate your web account
- Select the product(s) and add to your cart
- Pay via invoicing with terms

• Purchasing by credit card

- Select the product(s) and add to your cart
- Pay with Visa,[®] MasterCard,[®] Discover[®] or American Express[®]

Local Service and On-Site Visits

Caplugs has factories and sales representatives across the globe. To find the representative closest to you, call **1.888.CAPLUGS** or visit **www.caplugs.com**.

Order your **FREE Masking Sample Kit** at **caplugsmasking.com**



Up to 600°F	Up to 350°F	Up to 190°F
600°F/315°C CSPP-SH, DFPP-SH, HFPP-SH, HUPH-SH, HUP-SH, HWP-SH, MDT-SH, MPP-SH-SP, MPP-SH, MSP-SH, MT-SH, PTM-SH, RMCP-SH, SC-SH, SFC, SFP-SH, SHPP-SH, SM-SH, SMT-SH, SPP-SH, SP-SH, SRC-SH, SRT-SH, ST-SH, SWP, TS, UC-SH, UDPP-SH, UFP-SH, UHCP-SH, UMFP-SH, UPH-SH, UP-SH, US-SH, UST-SH, UTM-SH, UVCP-SH, UVC-SH, UWM-SH, UWPP-SH, UWPP-SH, UW-SH, WC-SH, ZC-SH	350°F/177°C ETV, EZ, TP, VC, VFC, VTP	170°F/77°C AD-SH
500°F/260°C 22-SH, KP-SH	350°F/177°C BN-SH, EP58-SH, GN-SH	170°F/77°C EV-SH
500°F/260°C PC198-SH, GC-SH	300°F/149°C AIR-SH, KD11-SH, KD-SH	
500°F/260°C HCR, HETV, HEZ, HFC, HJS, HTP, HVC, HVTP	300°F/149°C RCK-SH, SCK-SH	
425°F/218°C PR-SH, PC11-SH	300°F/149°C AIR-SH, AF-SH	
400°F/204°C TF-SH	250°F/121°C FP-SH	
400°F/204°C PC21-SH, PC25-SH, PC30-SH, PC90-SH, PB-SH, PCD-SH, PC-SH	225°F/107°C LF-SH	
400°F/204°C PSC, PTC, PTP	212°F/100°C RMCP-SH	
	200°F/93°C EZ-SH	

The information in this chart depicts the intermittent temperature-resistance characteristics of the entire list of Caplugs materials. For complete service temperature information and other physical properties of Caplugs materials, consult the Material Data Chart on page 107. And, of course, take advantage of our free samples to test a part in your specific application before ordering.

For any special material requests, please contact customer service at 1.888.CAPLUGS for further information.

materials process matrix

CAPS & PLUGS	Cork	Neoprene	Vinyl	EPDM	Paper	Flex500®	Silicone	Key			
Price	\$	\$	\$	\$\$	\$	\$\$	\$\$\$	B	Best		
Temperature Limit °F	300	350	350	350	400	500	600	O	Optional		
Re-usability	High	High	High	Med	High	Low/NR	High	NR	Not Recommended		
Liquid Paint	B	B	B	B	B	O	O	NA	Not Available		
Powder Coating	NR	NR	NR	O	O	O	B				
E-Coating	NR	NR	NR	O	NR	O	B				
Plating	NR	B	B	B	NR	O	B				
Anodizing	NR	B	B	B	NR	O	B				
TAPES	Vinyl	Anodizing	Lead Foil	Aluminum	Crepe	Teflon®	Polyester	Polyimide	Silicone	Glass Cloth	
Price	\$\$	\$\$	\$\$\$	\$\$\$	\$	\$\$\$	\$\$	\$\$\$	\$\$\$	\$\$\$	
Temperature Limit °F	170	170	225	300	300	400	400	500	500	500	
Re-usability	NA	NA	NA	NA	NA	NA	NA	NA	NA	NA	
Liquid Paint	B	B	NR	NR	B	O	O	O	B	NR	
Powder Coating	NR	NR	NR	NR	NR	NR	B	O	B	O	
E-Coating	B	B	NR	NR	NR	NR	B	NR	B	O	
Plating	B	B	B	O	NR	B	B	NR	B	O	
Anodizing	B	B	B	O	NR	B	B	NR	B	O	

Properties*	Silicone Rubber	Vinyl		Flex500®**
		Standard	High-Temperature	
MECHANICAL CHARACTERISTICS				
Specific gravity (density)	1.18	1.2	1.2	1.35
Tensile strength, p.s.i.	200 - 1500	2300	2100	2000
Elongation, %	700	400	270	150
Compressive strength, p.s.i.	-	-	-	-
Tear strength (ASTM D1004)	200pli	185pli	270pli	270pli
Impact strength, ft. lb./in. of notch (1/2x1/2 in. notched bar, izod test)	-	-	-	-
Hardness, Rockwell	A25 - 80 (Shore)	A60 - 70 (Shore)	A80 - 90 (Shore)	15 Second A84-94 (Shore)
ELECTRICAL CHARACTERISTICS				
Volume resistivity, ohm/cm ³ (50% RH and 23°C)	-	-	-	-
Dielectric constant, 60 cyc.	-	-	-	-
Dissipation (power) factor, 60 cyc.	-	-	-	-
SERVICE TEMPERATURES				
Continuous °C/°F	232/450	93/200	149/250	149/300
Intermittent °C/°F	316/600	177/350	246/475	260/500
Brittleness °C/°F	-32/-29	-32/-26	-	-
RESISTANCE CHARACTERISTICS				
Water absorp., 24 hr., 1/8" thick, %	-	-	-	-
Burning rate (flammability), in./min.	Very Slow	Slow	Slow	Slow
Effect of sunlight	Very Resistant	Good Resistance	Good Resistance	Good Resistance
Effect of weak acids	Poor	Very Resistant	Very Resistant	Very Resistant
Effect of strong acids	Poor	Resistant	Resistant	Resistant
Effect of weak alkalies	Poor	Resistant	Resistant	Very Resistant
Effect of strong alkalies	Poor	Resistant	Resistant	Resistant
Effect of organic solvents	Moderate	Good Resistance to alcohols, aliphatic hydrocarbons and oils	Good Resistance to alcohols, aliphatic hydrocarbons and oils	Good Resistance
Machine qualities	Poor	Poor	Poor	Good
Clarity (Natural Material)	Clear to opaque	Clear to opaque	-	Opaque
Abrasion resistance	Low	Very Good	Very Good	Very Good

*Property specifications of Caplugs parts are subject to change without notification.

**Independent Third Party Testing supports our published claims of Flex500® successfully performing under intermittent service temperatures of over 500°F.

DIMENSIONAL TOLERANCES

Caplugs parts are designed in accord with functional dimensions and will perform to dimensions listed in this catalog. In view of the flexibility and stretch of most of the materials used in Caplugs parts, it is recommended that the following tolerances be used in checking purposes, especially by those unfamiliar with measuring this material.

Tolerances for inch dimensions given to three decimal places.

±.010" per each inch of length. Minimum is ±.010" where dimension is less than one inch.

Examples:

Tolerance for .750" dimension is ±.010"
Reason: Although .750" x ±.010" = ±.0075", ±.010" is the minimum.
 Tolerance for 1.000" is ±.010"
Reason: 1.000" x ±.010" = ±.010"
 Tolerance for 1.500" dimension is ±.015"
Reason: 1.500" x ±.010" = ±.015"

Tolerance for inch dimensions given to two decimal places.

±.020" per each inch of length. Minimum is ±.020" where dimension is less than one inch.

Examples:

Tolerance for .75" dimension is ±.020"
Reason: Although .75" dimension is ±.020" = ±.015" ±.020" is the minimum.
 Tolerance for 1.00" dimension is ±.020" = ±.020"
Reason: 1.00" x ±.020" = ±.020"
 Tolerance for 1.50" is ±.030"
Reason: 1.50" x ±.020" = ±.030"

Tolerance for metric dimensions given to two decimal places.

±.25mm per each 25.40mm of length (.01 mm per mm). Minimum is ±.25mm where dimension is less than 25.40mm.

Examples:

Tolerance for 19.00mm dimension is ±.25mm.
Reason: Although 19.00mm x ±.01 is ±.19mm, .25mm is the minimum.
 Tolerance for 25.40mm is ±.25mm = ±.010".
Reason: 25.40mm x ±.01mm = ±.25mm.
 Tolerance for 38.10mm is ±.38mm.
Reason: 38.10mm x ±.01mm = ±.38mm.

Tolerance for metric dimensions given to one decimal place.

±.5mm per each 25.4mm of length (.02 mm per mm). Minimum is ±.5 where dimension is less than 25.4mm.

Examples:

Tolerance for 19.0mm dimension is ±.5mm.
Reason: Although 19.0mm x ±.02mm = ±.38mm, ±.5mm is the minimum.
 Tolerance for 25.4mm dimension is ±.5mm.
Reason: 25.4mm x ±.02mm = ±.5mm.
 Tolerance for 38.1mm dimension is ±.76mm.
Reason: 38.1mm x ±.02mm = ±.76mm.

terms & conditions

Terms: Net 30 Days. The terms stated in Caplugs documents govern all sales notwithstanding the use of buyer's purchase order number as an accommodation. Visa, MasterCard, Discover Card and American Express accepted.

Pricing: Consult Caplugs Representative or Order Service Center for Standard Carton, Mini Pak and Micro Pak pricing. Pricing is subject to change without notification.

Material Certification: Caplugs supplies standard material certification with all shipments. Special certification requirements will be reviewed and may be subject to additional charges.

Shipping Point: ExWorks Buffalo, NY, Los Angeles, CA or Erie, PA. All rights reserved and title to merchandise transfers to the buyer upon delivery to the carrier. *Please Note: Caplugs has 3 shipping sites which could result in split shipments from multiple facilities, each with separate freight charges. Hangzhou direct shipments by ExWorks Hangzhou.

Delivery: The acceptance of shipments by common carrier shall constitute a delivery to the purchaser and Caplugs shall not be responsible for merchandise damaged or lost in transit.

Quantities: Order quantities will be increased or decreased to the nearest standard packaging quantity (Standard Carton, Mini Pak or Micro Pak). Delivery of 5% more or less than the quantity ordered shall constitute fulfillment of the order for custom closures or standard closures run in nonstandard colors or materials.

Packaging: Caplugs reserves the right to change the quantities in its Standard Carton, Mini Pak or Micro Pak, consistent with current packaging and/or shipping practices without notification. Micro Paks have a minimum purchase quantity of 2. Pressure heat-treated pallets may be subject to additional charges for each pallet required. Caplugs reserves the right to change minimum purchase quantities at any time, without notification.

Errors: Typographical and clerical errors subject to correction.

Return Policy: If the buyer claims parts are not as ordered, he/she must notify Caplugs within 30 days of delivery. All returns of standard cartons received within 30 days of shipment are subject to a 30% handling fee. Returns of standard cartons received 30 to 90 days after shipment are subject to a 50% handling fee. After 90 days, there are no returns. Mini and Micro Paks may not be returned. No parts may be returned without a Return Authorization Number issued by a Caplugs Customer Service Representative in Buffalo, NY, Los Angeles, CA or Erie, PA.

Specifications: Standard Caplugs parts will be supplied in accordance with Caplugs quotation and description in Caplugs literature. Custom parts will be furnished in accordance with Caplugs quotation and Caplugs or buyer(s) drawings and/or specifications.

Cancellation: In the event of cancellation or deferral of deliveries on an order, the buyer assumes immediate liability for any completed part of the order, any material or tooling work performed, and may be asked for immediate payment of the charges involved.

Credit: Caplugs may refuse to make shipment unless previous invoices have been honored and satisfactory credit has been established.

Important Notice: All statements, technical information, and recommendations related to Caplugs products are based on information believed to be reliable, however, the accuracy or completeness is not guaranteed. Before using any Caplugs product you must evaluate it and determine if it is suitable for your intended application. You assume all risks and liability associated with such use. Any statements related to the product which are not contained in Caplugs current publications, or any contrary statements contained on your purchase order, shall have no force or effect unless expressly agreed upon, in writing, by an authorized officer of Caplugs.

Warranty; Limited Remedy; Limited Liability:

This product will be free from defects in material and manufacture as of the date of purchase. Caplugs MAKES NO OTHER WARRANTIES INCLUDING, BUT NOT LIMITED TO, ANY IMPLIED WARRANTY OF FITNESS FOR A PARTICULAR PURPOSE. If this product is defective your exclusive remedy shall be to replace the product or refund the purchase price of the Caplugs product. Except where prohibited by law, Caplugs will not be liable for any indirect, special, incidental or consequential loss or damage arising from this Caplugs product, regardless of the legal theory asserted.

Tooling: All tooling remaining in Caplugs possession will receive normal maintenance for the production of parts unless: a) A tool has produced more than 500,000 parts per cavity, or b) A tool has had no production activity for more than one year. In either event, it may be necessary to refurbish or rebuild the tool at buyer(s) expense before additional parts can be produced. If 18 months have passed without an order from the customer, tooling will be deemed abandoned.

General Matters: Caplugs is a large business, is located in a labor surplus area, is not women or minority owned, and is current on all EEO filings. Materials used in manufacturing parts satisfy current governmental and safety constraints on restricted, toxic and hazardous materials. Parts are produced without the use of Class I ozone-depleting chemicals.

Over **400,000,000** parts in stock.

10,000,000 parts produced per day.

Over **6,000** standard parts.

Over **200** molding machines.

Over **15** engineers.

6 manufacturing facilities.

The **1** partner you need.

“Caplugs knowledge of our process, the local service they provided and their vast product line was more than helpful. They had the generic plugs we were looking for and the custom solutions we needed to perfect our process.”

– Wet Process Manager at Bodycote



index

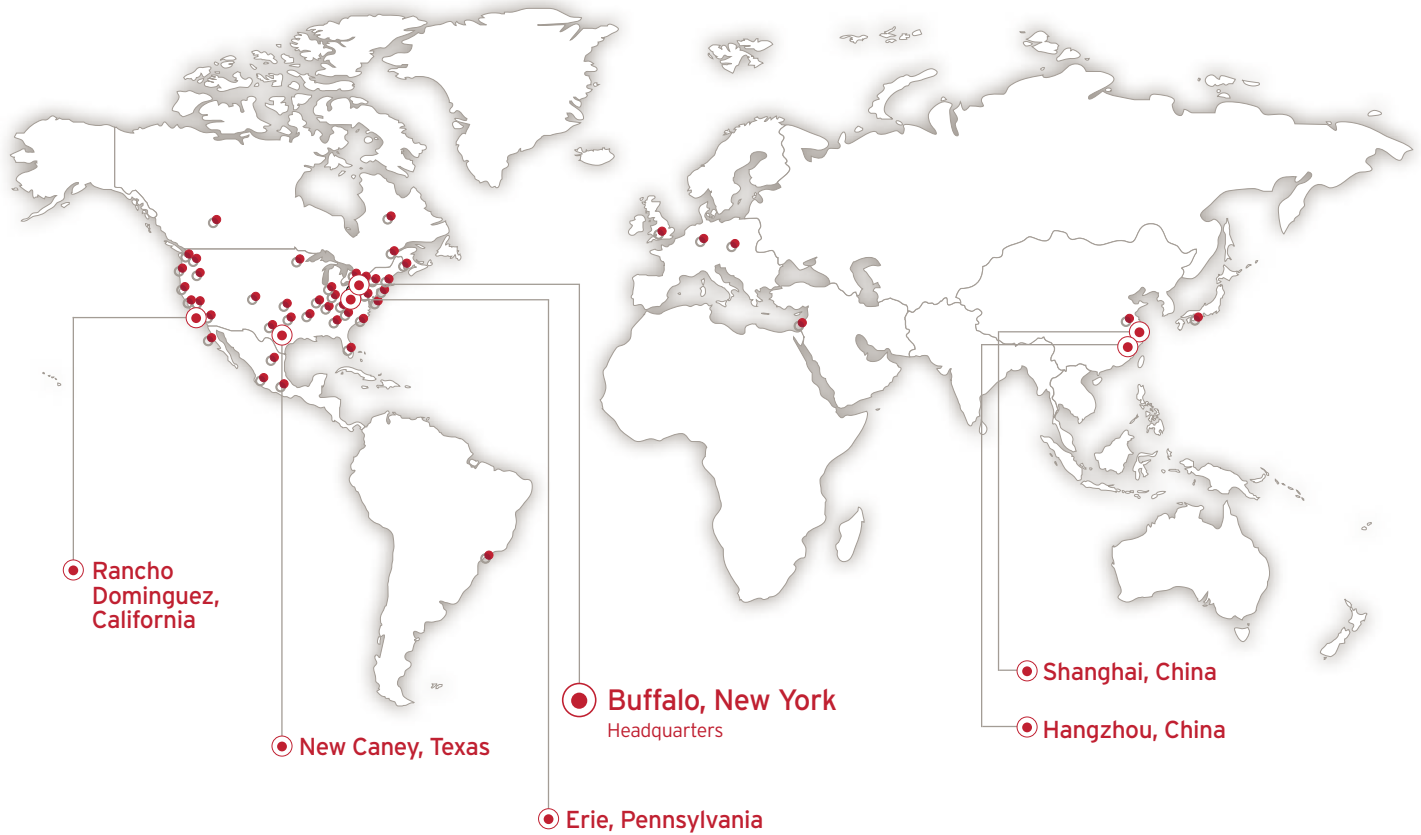
22-SH.....	76	PR-SH.....	82, 84, 86
AD-SH.....	89, 91	PSC.....	34-35
AF-SH.....	88, 90	PTC.....	34-35
AIR-SH.....	90	PTM-SH.....	54-55
AR-SH.....	94-95	PTP.....	64-65
BCB-SH.....	102	RCK-SH.....	44-45
BN-SH.....	40-41	RMCP-SH.....	32-33
BT100-SH.....	78-79	ROD-SH.....	102
C-SH.....	96-97	S-SH.....	96-97
CB-SH.....	102	SB.....	100-101
CD-SH.....	94-95	SCK-SH.....	44-45
CSC.....	70-71	SC-SH.....	16-17
CV-SH.....	96-97	SFC.....	34-35
DFPP-SH.....	50-51	SFP-SH.....	60-61
EP58-SH.....	70-71	SHPP-SH.....	50-51
EV-SH.....	89, 91	SHVA-SH.....	98-99
EZ-SH.....	83, 85, 87	SHVB-SH.....	98-99
FP-SH.....	56-57	SHVC-SH.....	98-99
GC-SH.....	83, 85, 87	SK-SH.....	72-73
GN-SH.....	40-41	SPLINE-SH.....	102
HCR.....	20-21	SPP-SH.....	48-49
HETV.....	62-63	SP-SH.....	60-61
HEZ.....	26-27	SQV-SH.....	98-99
HFC.....	28-29	SRC-SH.....	18-19
HFPP-SH.....	50-51	SRT-SH.....	78-79
HJS.....	20-21	STPS-SH.....	66-67
HTP.....	62-63	ST-SH.....	68-69
HUP-SH.....	38-39	SWP.....	58-59
HUPH-SH.....	46-47	TCB-SH.....	102
HVC.....	22-23	TF-SH.....	88,90
HVTP.....	62-63	TH-SH.....	102
HWP-SH.....	42-43	TS.....	30-31
KD11-SH.....	77	UC-SH.....	68-69
KD-SH.....	83, 85, 87	UDPP-SH.....	58-59
KP-SH.....	83, 85, 87	UFP-SH.....	56-57
LF-SH.....	88, 90	UHCP-SH.....	64-65
MDT-SH.....	66-67	UMFP-SH.....	60-61
MKIT HVC Series.....	72-73	UPH-SH.....	164
MKIT VC SERIES.....	72-73	UP-SH.....	38-39
Modular racks.....	102	US-SH.....	66-67
MPP-SH.....	42-43	UST-SH.....	70-71
MSP-SH.....	42-43	UTM-SH.....	54-55
MT-SH.....	64-65	UVCP-SH.....	32-33
PB-SH.....	82, 84, 86	UWH-SH.....	103
PC-SH.....	82, 84, 86	UWM-SH.....	52-53
PC11-SH.....	77	UWPPLS-SH.....	52-53
PC198-SH.....	76	UWPP-SH.....	52-53
PC21-SH.....	77	UW-SH.....	58-59
PC25-SH.....	76	V-SH.....	96-97
PC30-SH.....	77	VB-SH.....	100-101
PC90-SH.....	77	WBD-SH.....	94-95
PCD-SH.....	92-93	WC-SH.....	18-19
PP-SH.....	48-49	ZC-SH.....	18-19

If you cannot find the part or series you are looking for, please call **1.888.CAPPLUGS** for assistance. Parts not shown in this catalog may still be available to order.

In addition to the standard product line, Caplugs has tooling for thousands of non-standard parts not shown in this catalog that are available to order. For further information, contact our Technical Sales Department.



Caplugs is the leader in product protection and masking with manufacturing locations and sales representatives all over the world to serve every customer efficiently.



○ Manufacturing Plants ● Sales Representatives

1.888.CAPLUGS | +1716 876 9855 | www.caplugs.com/masking | sales@caplugs.com

International Sales Representatives

United Kingdom

Greentree: 01684 533800
sales@greentree-shercon.co.uk
www.greentree-shercon.co.uk

Belgium

Allo Industry: 055 21 35 06
info@alloindustry.be
www.alloindustry.be

Poland, Czech Republic, Belarus and Slovakia

Lapena: +48.22.569.91.91
lapena@lapena.pl
www.lapena.pl

Argentina & Brazil

Vermont Representações e
Comércio Ltda: 55.11.3726.6655
daniel@vermont-rep.com
www.vermont-rep.com

Israel

Yail Noa: 972.3.550.9148
sales@yail-noa.co.il
www.yail-noa.co.il

Germany

Stohrer IPT AG: +49 711 90071-0
info@stohrer-ipt.ag
www.stohrer-ipt.ag

Mouser Electronics

Authorized Distributor

Click to View Pricing, Inventory, Delivery & Lifecycle Information:

Caplugs:

[VC-093-12](#) [VC-1000-8](#) [VC-1375-24](#) [VC-240-8](#) [VC-312-16](#) [VC-375-8](#) [KP00250](#) [KP00375](#) [KP00500](#) [KP00500-PL](#)
[KP00625](#) [KP00687](#) [KP00812](#) [KP00875](#) [KP01000](#) [KP01062](#) [KP01125](#) [KP01187](#) [KP01250](#) [KP01312](#) [KP01375](#)
[KP01437](#) [KP01500](#) [KP01562](#) [KP01625](#) [KP01687](#) [KP01750](#) [KP01812](#) [KP01875](#) [KP01937](#) [KP02000](#) [KP02250](#)
[KP02500](#) [KP02750](#) [KP03000](#) [KP03250](#) [KP03500](#) [KP03750](#) [KP04000](#) [KP04250](#) [KP04500](#) [KP04750](#) [KP05000](#)
[KP05250](#) [KP05500](#) [KP05750](#) [KP06000](#) [LF00125](#) [LF00187](#) [LF00250](#) [LF00312](#) [LF00375](#) [LF00437](#) [LF004MM](#)
[LF00500](#) [LF00562](#) [LF00625](#) [LF00687](#) [LF006MM](#) [LF00750](#) [LF007MM](#) [LF00812](#) [LF00875](#) [LF008MM](#) [LF00937](#)
[LF009MM](#) [LF01000](#) [LF01062](#) [LF010MM](#) [LF01125](#) [LF01187](#) [LF01250](#) [LF012MM](#) [LF01312](#) [LF01375](#) [LF013MM](#)
[LF01437](#) [LF014MM](#) [LF01500](#) [LF01562](#) [LF015MM](#) [LF01625](#) [LF01687](#) [LF016MM](#) [LF01750](#) [LF01812](#) [LF01875](#)
[LF018MM](#) [LF01937](#) [LF019MM](#) [LF02000](#) [LF020MM](#) [LF02250](#) [LF022MM](#) [LF02500](#) [LF025MM](#) [LF02750](#) [LF030MM](#)
[LF035MM](#) [LF037MM](#)