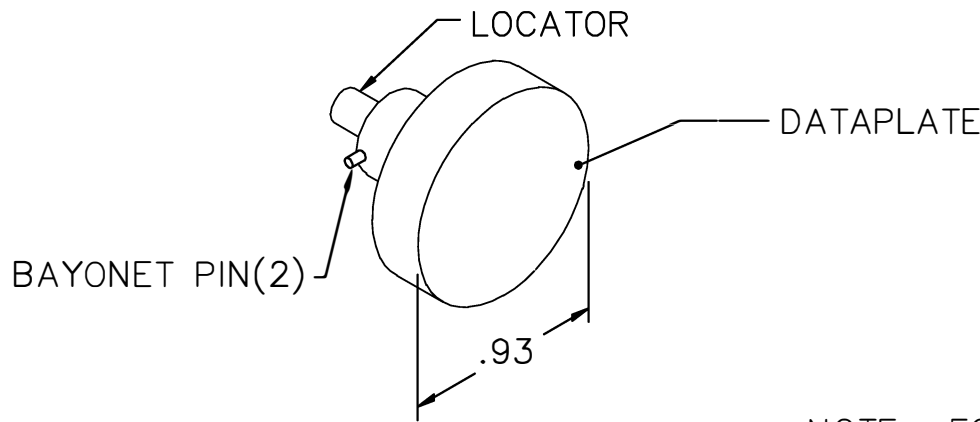
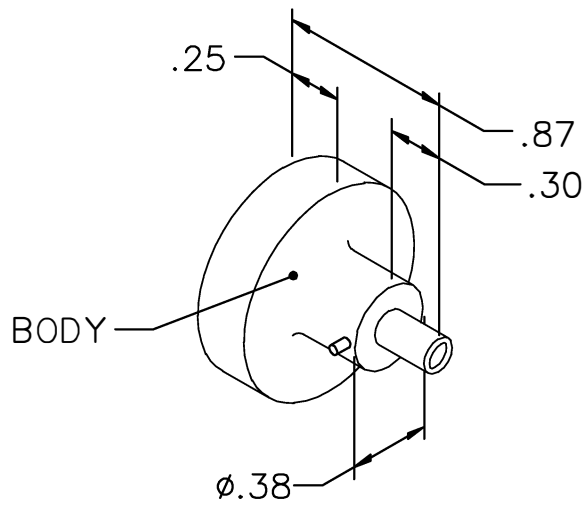



REVISIONS				
REV. SYM.	E.C.O. NUMBER	DESCRIPTION	BY DATE	APP'D DATE
2		REVISED & UPDATED	ED 6-30-94	PD 6-30-94





Jupiter

PART NO: JBX 2 OUT LP09

WIRE SIZE	20	22	24
POS.	6	5	4

USE WITH CONTACT NO:
JBX 2 CT MC09
ø0.9mm PIN, SIZE 2

NOTE: FOR USE WITH DANIELS CRIMP TOOLS
ACCOMMODATING "86" SERIES POSITIONERS

LOCATOR	
HOLE DIMENSIONS	ADDITIONAL FEATURES
ø.038 ↓.504	└┘ ø.093 ↓.30


RESTRICTED & CONFIDENTIAL

CONFIDENTIAL PROPERTY OF DANIELS MANUFACTURING CORP. NOT TO BE DISCLOSED TO OTHERS, REPRODUCED OR USED FOR ANY OTHER PURPOSE, EXCEPT AS AUTHORIZED IN WRITING BY DANIELS MANUFACTURING. MUST BE RETURNED TO DANIELS MANUFACTURING CORP. ON COMPLETION OF ORDER OR OTHER PURPOSE FOR WHICH LENT.

DO NOT SCALE DRAWING

DRN.	ED	DATE
CHK'D.	PD	DATE
APP'D.		DATE
APP'D.		DATE

NOTE:
THIS DRAWING IS AN OUTLINE DRAWING OF THE RESPECTIVE DMC PART NUMBER INDICATED. ACTUAL DMC PART NUMBER IS DRAWING NUMBER WITHOUT THE "-ENV" SUFFIX.



DANIELS MANUFACTURING CORP.
ORLANDO, FLORIDA
CAGE 11851

TITLE: ENVELOPE DRAWING POSITIONER

WHERE USED: MH860

SIZE	SCALE	CAD P/N	SHEET	OF
A	NTS	86-204-ENV	1	1
POSTING		DWG. NO.		REV.
		86-204-ENV		2

Mouser Electronics

Authorized Distributor

Click to View Pricing, Inventory, Delivery & Lifecycle Information:

[Daniels Manufacturing:](#)

[86-204](#)