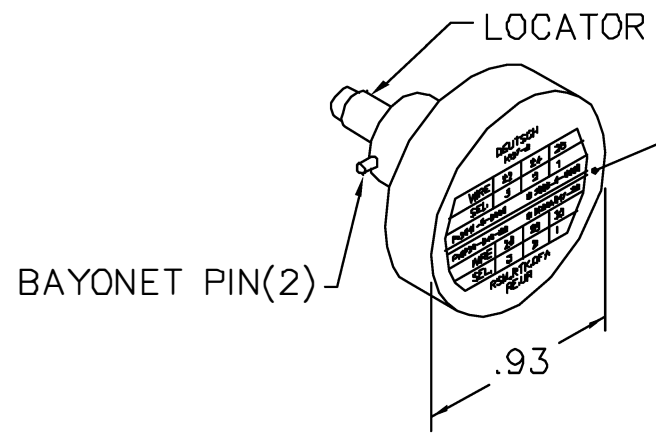
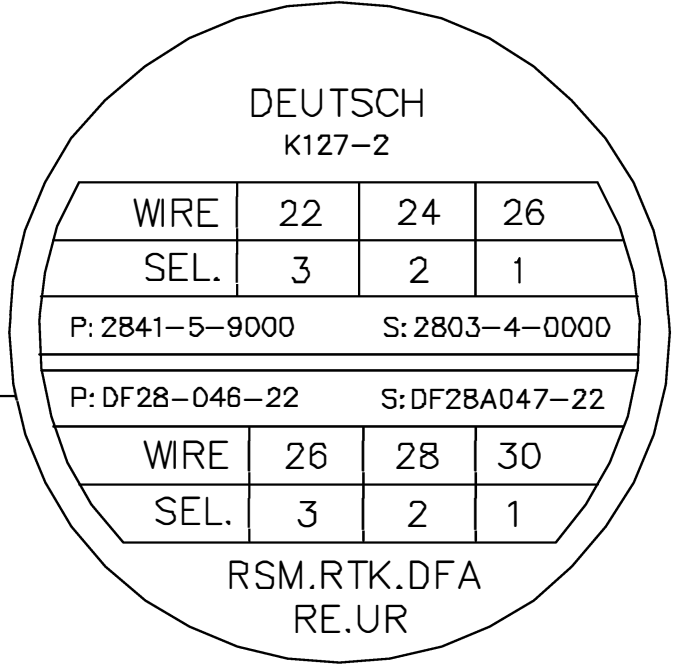
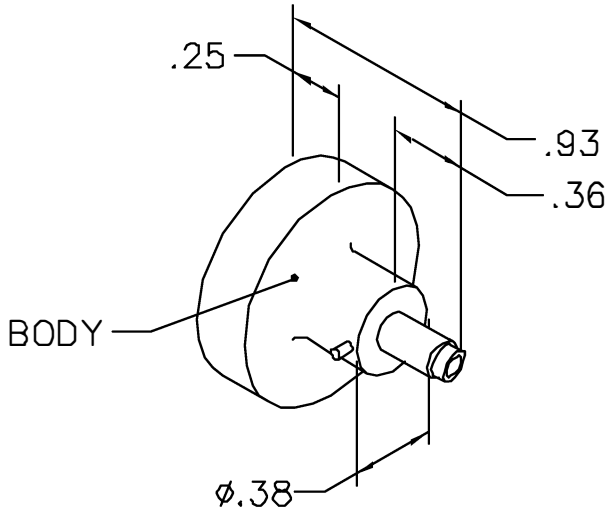


REVISIONS				
REV. SYM.	E.C.O. NUMBER	DESCRIPTION	BY DATE	APP'D DATE
1		ORIGINAL RELEASE	LGV 7-22-91	PD 7-22-91

**UNCONTROLLED DOCUMENT  
WILL NOT BE UPDATED**



NOTE: FOR USE WITH DANIELS CRIMP TOOL, AFM8.

LOCATOR	
HOLE DIMENSIONS	ADDITIONAL FEATURES
$\phi$ .052 $\nabla$ .430	$\sqsubset$ $\phi$ .062 $\nabla$ .100

**RESTRICTED & CONFIDENTIAL**

CONFIDENTIAL PROPERTY OF DANIELS MANUFACTURING CORP. NOT TO BE DISCLOSED TO OTHERS, REPRODUCED OR USED FOR ANY OTHER PURPOSE, EXCEPT AS AUTHORIZED IN WRITING BY DANIELS MANUFACTURING.

MUST BE RETURNED TO DANIELS MANUFACTURING CORP. ON COMPLETION OF ORDER OR OTHER PURPOSE FOR WHICH LENT.

DO NOT SCALE DRAWING

DRN.	LG	DATE
CHK'D.	PD	DATE
APP'D.		DATE
APP'D.		DATE

**Daniel's Manufacturing Corp.**  
 ORLANDO, FLORIDA  
 CAGE 11851

TITLE			
ENVELOPE DRAWING POSITIONER			
WHERE USED: AFM8			
SIZE	SCALE	GAD P/N	SHEET OF
A	NTS	K127-2-ENV	1 1
POSTING	P/N		REV.
	K127-2-ENV		1

# Mouser Electronics

Authorized Distributor

Click to View Pricing, Inventory, Delivery & Lifecycle Information:

[Daniels Manufacturing:](#)

[K127-2](#)