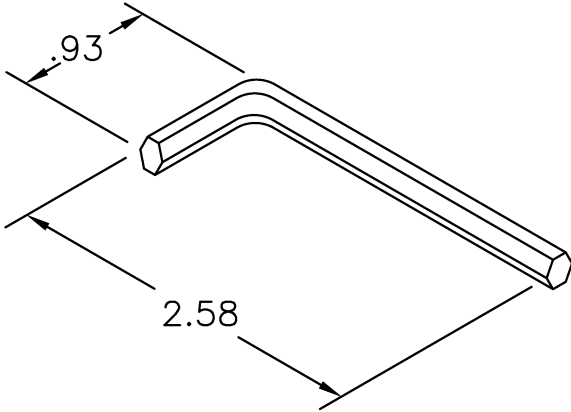



REVISIONS				
REV. SYM.	E.C.O. NUMBER	DESCRIPTION	BY DATE	APP'D DATE
1		ORIGINAL RELEASE	JMC 3-2-01	JWJ 3-2-01



MATERIAL	ITEM	PART NO.	QTY.	DESCRIPTION/REMARKS
	DRN.	JMC	DATE 3-2-01	 DANIELS MANUFACTURING CORP. ORLANDO, FLORIDA CAGE 11851
	CHK'D.	JWJ	DATE 3-2-01	
HEAT TREAT	APP'D.		DATE	TITLE 9/64 HEX WRENCH (SHORT ARM) GGG-K-275-9/64 WHERE USED: ENVELOPE DRAWING
	APP'D.		DATE	
FINISH	NOTE:			SIZE   SCALE   CAD P/N   SHEET OF A   NTS   M2700-420-ENV   1   1 POSTING   DWG. NO.   REV.   M2700-420-ENV   1
	THIS DRAWING IS AN OUTLINE DRAWING OF THE RESPECTIVE DMC PART NUMBER INDICATED. ACTUAL DMC PART NUMBER IS DRAWING NUMBER WITHOUT THE "-ENV" SUFFIX.			

**RESTRICTED & CONFIDENTIAL**  
 CONFIDENTIAL PROPERTY OF DANIELS MANUFACTURING CORP. NOT TO BE DISCLOSED TO OTHERS, REPRODUCED OR USED FOR ANY OTHER PURPOSE EXCEPT AS AUTHORIZED IN WRITING BY DANIELS MANUFACTURING. MUST BE RETURNED TO DANIELS MANUFACTURING CORP. ON COMPLETION OF ORDER OR OTHER PURPOSES FOR WHICH LENT.

DO NOT SCALE DRAWING

# Mouser Electronics

Authorized Distributor

Click to View Pricing, Inventory, Delivery & Lifecycle Information:

[Daniels Manufacturing:](#)

[M2700-420](#)