

Customer Information Sheet

DRAWING No.: G125-964XX00

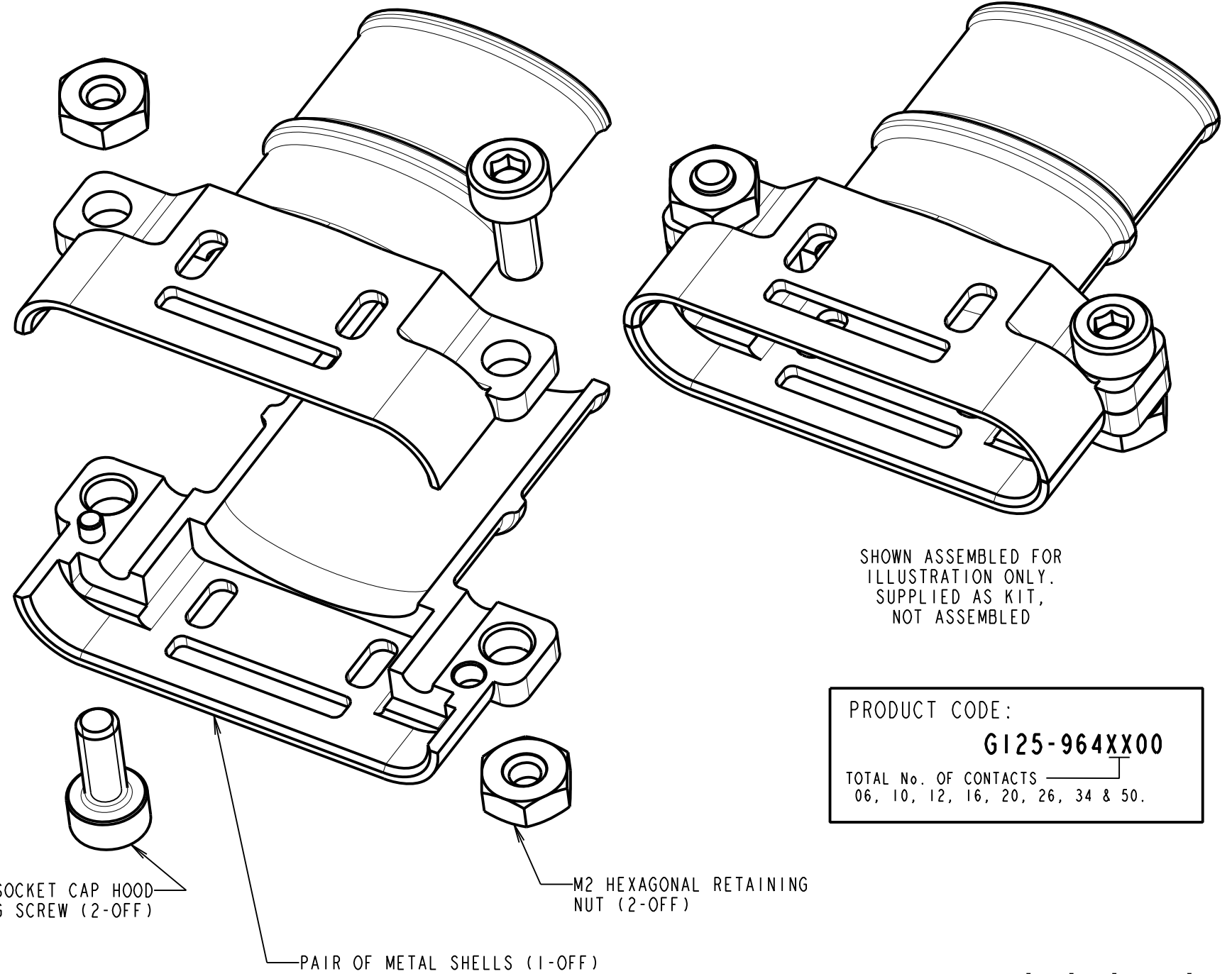
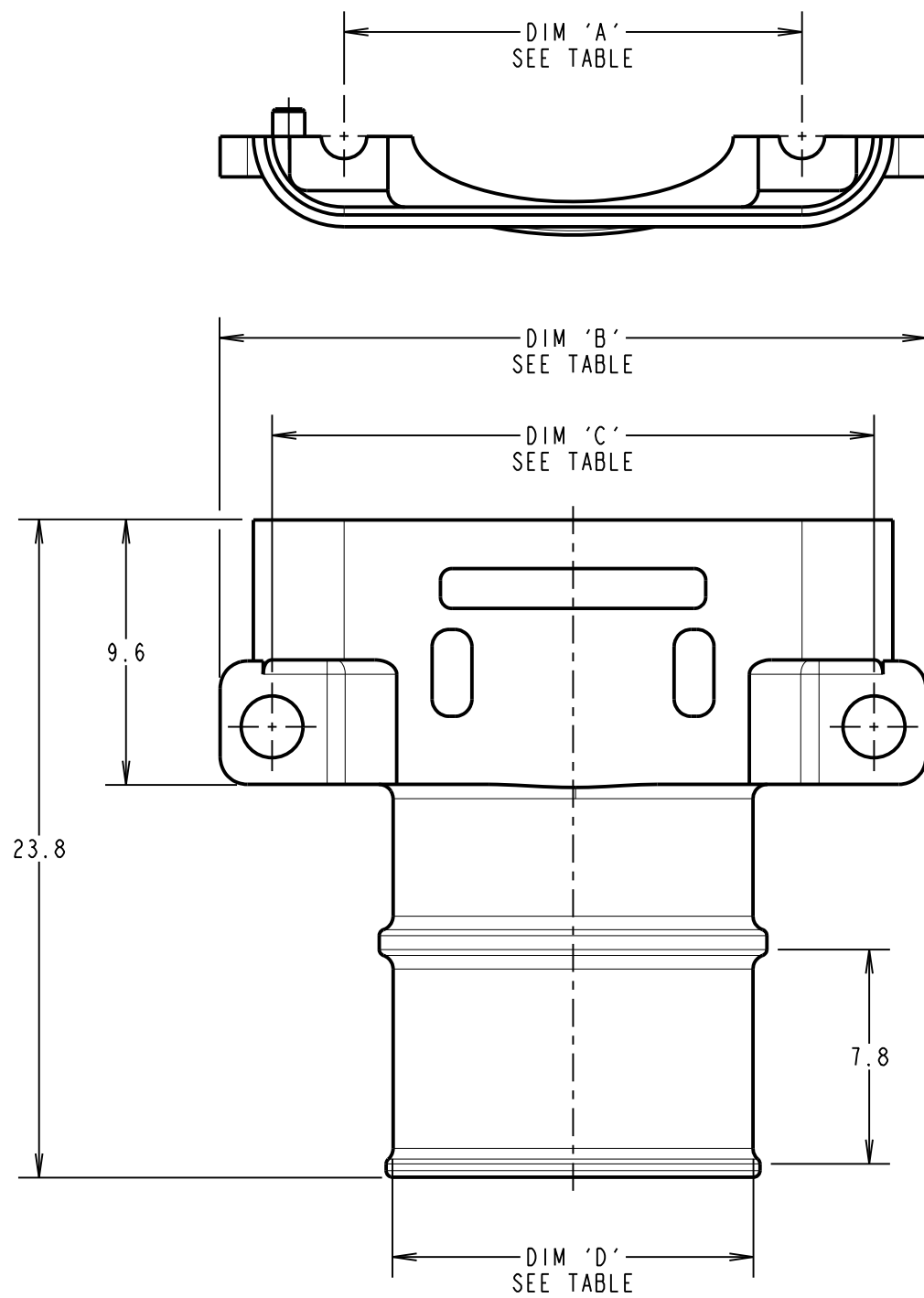
IF IN DOUBT - ASK

©

NOT TO SCALE

THIRD ANGLE PROJECTION

ALL DIMENSIONS IN mm



SHOWN ASSEMBLED FOR ILLUSTRATION ONLY. SUPPLIED AS KIT, NOT ASSEMBLED

PRODUCT CODE:
G125-964XX00
TOTAL No. OF CONTACTS ———
06, 10, 12, 16, 20, 26, 34 & 50.

M2 SOCKET CAP HOOD RETAINING SCREW (2-OFF)

M2 HEXAGONAL RETAINING NUT (2-OFF)

PAIR OF METAL SHELLS (1-OFF)

| PART NUMBER | DIM 'A' | DIM 'B' | DIM 'C' | DIM 'D' |
|--------------|---------|---------|---------|---------|
| G125-9640600 | 10.30 | 19.30 | 15.50 | 6.80 |
| G125-9641000 | 12.80 | 21.80 | 18.00 | 9.30 |
| G125-9641200 | 14.05 | 23.05 | 19.25 | 10.55 |
| G125-9641600 | 16.55 | 25.55 | 21.75 | 13.05 |
| G125-9642000 | 19.05 | 28.05 | 24.25 | 15.55 |
| G125-9642600 | 22.80 | 31.80 | 28.00 | 19.30 |
| G125-9643400 | 27.80 | 36.80 | 33.00 | 24.30 |
| G125-9645000 | 37.80 | 46.80 | 43.00 | 34.30 |

SPECIFICATION:
MATERIAL:
HOOD SHELL = ALUMINIUM
SCREWS = STAINLESS STEEL
FINISH:
HOOD SHELL = NICKEL

- NOTES:
- SUPPLIED AS A KIT OF PARTS TO BE ASSEMBLED TO G125-324XX96MI SERIES OF CONNECTORS.
 - FOR BAND-IT TIE, ORDER M80-9470000 OR M80-9480000 SEPERATELY. SEE INDIVIDUAL DRAWINGS FOR DETAILS.

| | | | |
|----------------|------|----------------|-------|
| MR | 3 | 03.07.20 | 30087 |
| NAME | ISS. | DATE | CN/CO |
| APPROVED: | | M. RUDKIN | |
| CHECKED: | | R. PORTLOCK | |
| DRAWN: | | MARK G PLESTED | |
| CUSTOMER REF.: | | | |
| ASSEMBLY DRG: | | | |

HARWIN

www.harwin.com
technical@harwin.com

THIS DRAWING AND ANY INFORMATION OR DESCRIPTIVE MATTER SET OUT HEREON ARE CONFIDENTIAL AND COPYRIGHT PROPERTY OF THE HARWIN GROUP AND MUST NOT BE DISCLOSED, LOANED, COPIED OR USED FOR MANUFACTURING, TENDERING OR FOR ANY OTHER PURPOSE WITHOUT THEIR WRITTEN PERMISSION.

TOLERANCES
X. = ±1mm
X.X = ±0.50mm
X.XX = ±0.20mm
X.XXX = ±0.01mm
ANGLES = ±5°
UNLESS STATED

MATERIAL:

SEE ABOVE

FINISH:

SEE ABOVE

S/AREA:

mm²

TITLE:

G125 J-TEK SERIES HOOD KIT

DRAWING NUMBER:

G125-964XX00

SHT
2 OF 2