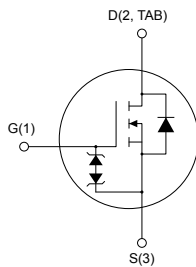


## N-channel 500 V, 2.8 $\Omega$ typ., 2.3 A SuperMESH™ Power MOSFETs in IPAK and DPAK packages



AM01479V1

### Features

Order codes	$V_{DSS}$	$R_{DS(on)}$ max.	$P_{TOT}$	Package
STD3NK50Z-1	500 V	3.3 $\Omega$	45 W	IPAK
STD3NK50ZT4				DPAK

- Extremely high dv/dt capability
- 100% avalanche tested
- Gate charge minimized
- Very low intrinsic capacitance
- Zener-protected

### Applications

- Switching applications

### Description

These high-voltage devices are Zener-protected N-channel Power MOSFETs developed using the SuperMESH™ technology by STMicroelectronics, an optimization of the well-established PowerMESH™. In addition to a significant reduction in on-resistance, these devices are designed to ensure a high level of dv/dt capability for the most demanding applications.

#### Product status link

[STD3NK50Z-1](#)
[STD3NK50ZT4](#)

# 1 Electrical ratings

**Table 1. Absolute maximum ratings**

Symbol	Parameter	Value	Unit
$V_{DS}$	Drain-source voltage	500	V
$V_{GS}$	Gate-source voltage	$\pm 30$	V
$I_D$	Drain current (continuous) at $T_C = 25\text{ }^\circ\text{C}$	2.3	A
$I_D$	Drain current (continuous) at $T_C = 100\text{ }^\circ\text{C}$	1.45	A
$I_{DM}^{(1)}$	Drain current (pulsed)	9.2	A
$P_{TOT}$	Total dissipation at $T_C = 25\text{ }^\circ\text{C}$	45	W
$dv/dt^{(2)}$	Peak diode recovery voltage slope	4.5	V/ns
ESD	Gate-source human body model ( $C = 100\text{ pF}$ , $R = 1.5\text{ k}\Omega$ )	2	kV
$T_j$	Operating junction temperature range	-55 to 150	$^\circ\text{C}$
$T_{stg}$	Storage temperature range		

1. Pulse width limited by safe operating area.

2.  $I_{SD} \leq 2\text{ A}$ ,  $di/dt \leq 200\text{ A}/\mu\text{s}$ ,  $V_{DD} \leq V_{(BR)DSS}$ .

**Table 2. Thermal data**

Symbol	Parameter	Value		Unit
		IPAK	DPAK	
$R_{thj-case}$	Thermal resistance junction- case	2.78		$^\circ\text{C}/\text{W}$
$R_{thj-amb}$	Thermal resistance junction-ambient	100		$^\circ\text{C}/\text{W}$
$R_{thj-pcb}^{(1)}$	Thermal resistance junction-pcb		50	$^\circ\text{C}/\text{W}$

1. When mounted on an 1-inch<sup>2</sup> FR-4, 2oz Cu board.

**Table 3. Avalanche characteristics**

Symbol	Parameter	Value	Unit
$I_{AR}$	Avalanche current, repetitive or not-repetitive (pulse width limited by $T_j\text{ max}$ )	2.3	A
$E_{AS}$	Single pulse avalanche energy (starting $T_j = 25\text{ }^\circ\text{C}$ , $I_D = I_{AR}$ , $V_{DD} = 50\text{ V}$ )	120	mJ

## 2 Electrical characteristics

( $T_{CASE} = 25\text{ °C}$  unless otherwise specified)

**Table 4. On/off states**

Symbol	Parameter	Test conditions	Min.	Typ.	Max.	Unit
$V_{(BR)DSS}$	Drain-source breakdown voltage	$V_{GS} = 0\text{ V}, I_D = 1\text{ mA}$	500			V
$I_{DSS}$	Zero gate voltage drain current	$V_{GS} = 0\text{ V}, V_{DS} = 500\text{ V}$			1	$\mu\text{A}$
		$V_{GS} = 0\text{ V}, V_{DS} = 500\text{ V}, T_C = 125\text{ °C}^{(1)}$			50	$\mu\text{A}$
$I_{GSS}$	Gate-body leakage current	$V_{DS} = 0\text{ V}, V_{GS} = \pm 20\text{ V}$			$\pm 10$	nA
$V_{GS(th)}$	Gate threshold voltage	$V_{DS} = V_{GS}, I_D = 50\text{ }\mu\text{A}$	3	3.75	4.5	V
$R_{DS(on)}$	Static drain-source on resistance	$V_{GS} = 10\text{ V}, I_D = 1.15\text{ A}$		2.8	3.3	$\Omega$

1. Defined by design, not subject to production test.

**Table 5. Dynamic**

Symbol	Parameter	Test conditions	Min.	Typ.	Max.	Unit
$C_{iss}$	Input capacitance	$V_{DS} = 25\text{ V}, f = 1\text{ MHz}, V_{GS} = 0\text{ V}$	-	280		pF
$C_{oss}$	Output capacitance			42		
$C_{rss}$	Reverse transfer capacitance			8		
$C_{oss\text{ eq.}}^{(1)}$	Equivalent output capacitance	$V_{GS} = 0\text{ V}, V_{DS} = 0\text{ V to } 400\text{ V}$	-	27.5		
$t_{d(on)}$	Turn-on delay time	$V_{DD} = 250\text{ V}, I_D = 1.15\text{ A}, R_G = 4.7\text{ }\Omega, V_{GS} = 10\text{ V}$ (see Figure 13. Test circuit for resistive load switching times and Figure 18. Switching time waveform)	-	8		ns
$t_r$	Rise time			13		
$t_{d(off)}$	Turn-off delay time			24		
$t_f$	Fall time			14		
$Q_g$	Total gate charge	$V_{DD} = 400\text{ V}, I_D = 2.3\text{ A}, V_{GS} = 0\text{ to } 10\text{ V}$ (see Figure 14. Test circuit for gate charge behavior)	-	11	15	nC
$Q_{gs}$	Gate-source charge			2.5		
$Q_{gd}$	Gate-drain charge			5.6		

1.  $C_{oss\text{ eq.}}$  is defined as a constant equivalent capacitance giving the same charging time as  $C_{oss}$  when  $V_{DS}$  increases from 0 to 80%  $V_{DSS}$ .

**Table 6. Source-drain diode**

Symbol	Parameter	Test conditions	Min.	Typ.	Max.	Unit
$I_{SD}$	Source-drain current		-		2.3	A
$I_{SDM}^{(1)}$	Source-drain current (pulsed)		-		9.2	
$V_{SD}^{(2)}$	Forward on voltage	$I_{SD} = 2.3\text{ A}, V_{GS} = 0\text{ V}$	-		1.6	V

Symbol	Parameter	Test conditions	Min.	Typ.	Max.	Unit
$t_{rr}$	Reverse recovery time	$I_{SD} = 2.3 \text{ A}$ , $di/dt = 100 \text{ A}/\mu\text{s}$ $V_{DD} = 40 \text{ V}$ (see Figure 15. Test circuit for inductive load switching and diode recovery times)	-	250		ns
$Q_{rr}$	Reverse recovery charge		-	745		nC
$I_{RRM}$	Reverse recovery current		-	6		A
$t_{rr}$	Reverse recovery time	$I_{SD} = 2.3 \text{ A}$ , $di/dt = 100 \text{ A}/\mu\text{s}$ $V_{DD} = 40 \text{ V}$ , $T_j = 150 \text{ }^\circ\text{C}$ (see Figure 15. Test circuit for inductive load switching and diode recovery times)	-	300		ns
$Q_{rr}$	Reverse recovery charge		-	960		nC
$I_{RRM}$	Reverse recovery current		-	6.2		A

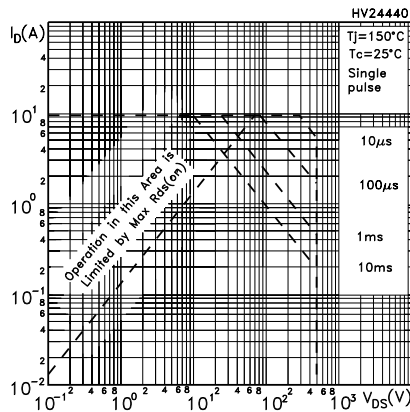
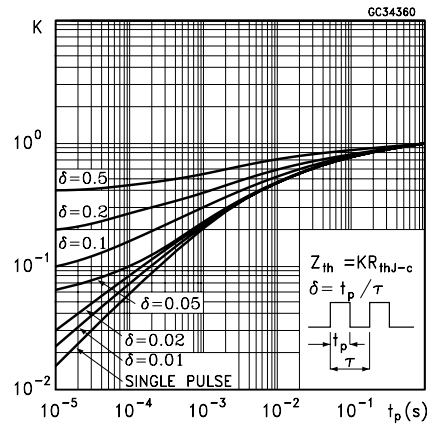
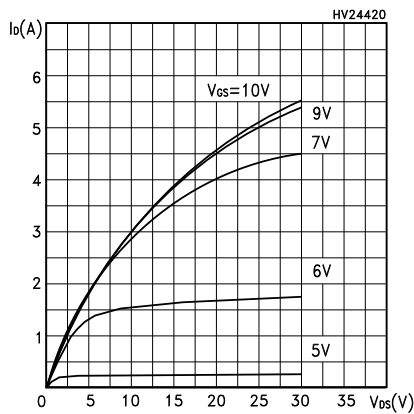
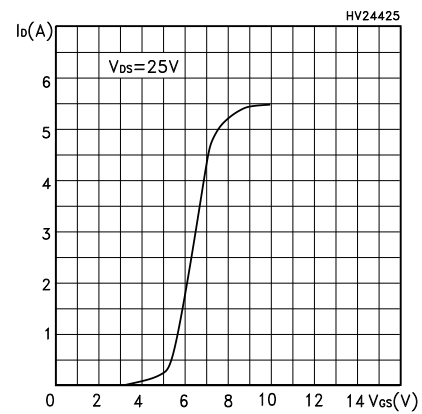
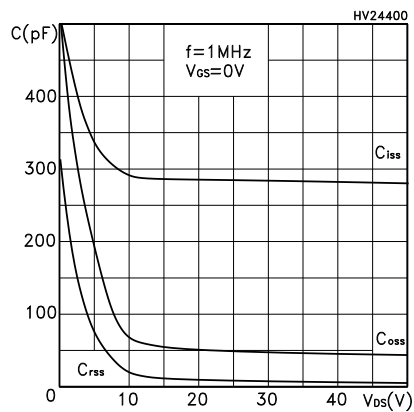
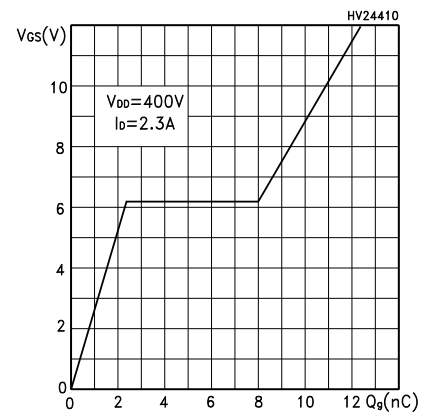
1. Pulse width limited by safe operating area.
2. Pulsed: Pulse duration = 300  $\mu\text{s}$ , duty cycle 1.5 %.

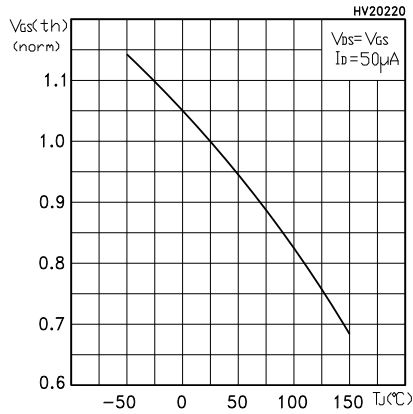
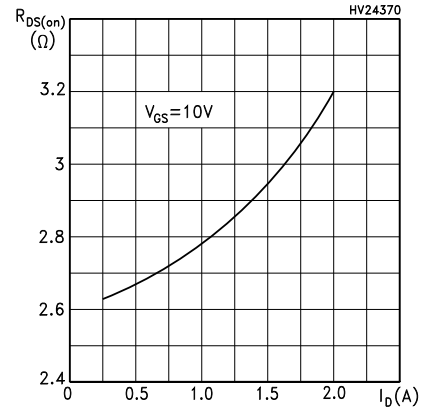
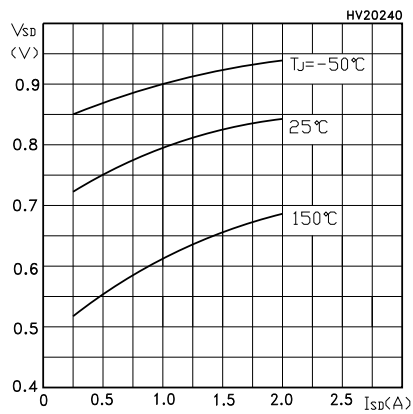
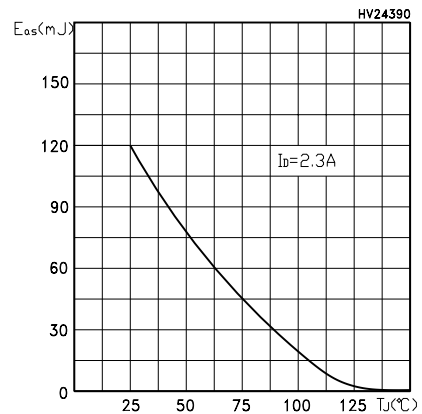
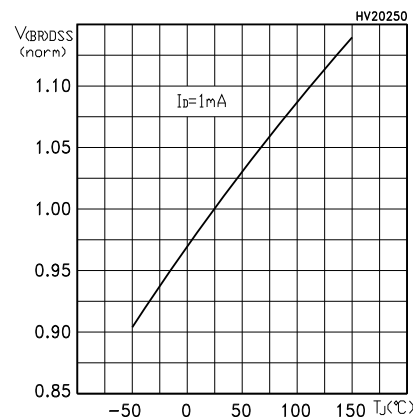
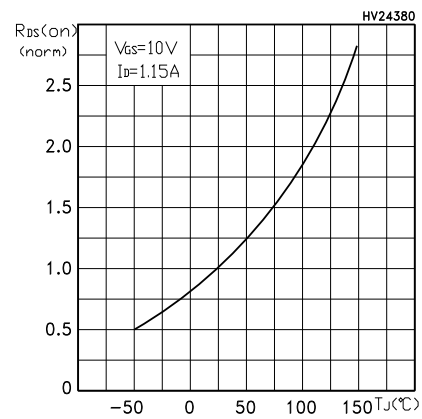
**Table 7. Gate-source Zener diode**

Symbol	Parameter	Test conditions	Min.	Typ.	Max.	Unit
$V_{(BR)GSO}$	Gate-source breakdown voltage	$I_{GS} = \pm 1 \text{ mA}$ , $I_D = 0 \text{ A}$	$\pm 30$	-	-	V

The built-in back-to-back Zener diodes are specifically designed to enhance the ESD performance of the device. The Zener voltage facilitates efficient and cost-effective device integrity protection, thus eliminating the need for additional external componentry.

## 2.1 Electrical characteristics (curves)

**Figure 1. Safe operating area**

**Figure 2. Thermal impedance**

**Figure 3. Output characteristics**

**Figure 4. Transfer characteristics**

**Figure 5. Capacitance variations**

**Figure 6. Gate charge vs gate-source voltage**


**Figure 7. Normalized gate threshold voltage vs temperature**

**Figure 8. Static drain-source on resistance**

**Figure 9. Source-drain diode forward characteristic**

**Figure 10. Maximum avalanche energy vs temperature**

**Figure 11. Normalized  $V_{(BR)DSS}$  vs temperature**

**Figure 12. Normalized on resistance vs temperature**


### 3 Test circuits

**Figure 13. Test circuit for resistive load switching times**

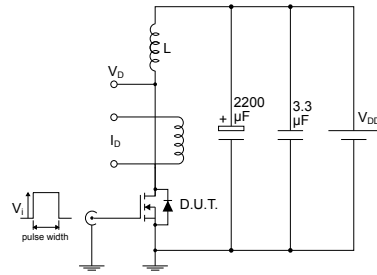

AM01468v1

**Figure 14. Test circuit for gate charge behavior**


AM01469v1

**Figure 15. Test circuit for inductive load switching and diode recovery times**

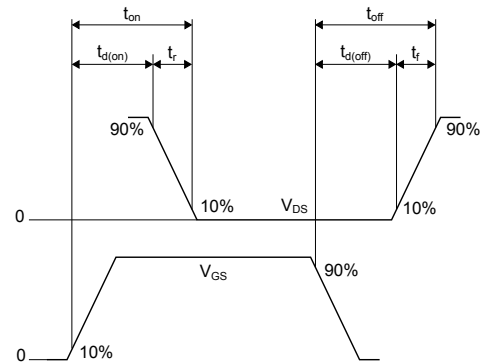

AM01470v1

**Figure 16. Unclamped inductive load test circuit**


AM01471v1

**Figure 17. Unclamped inductive waveform**


AM01472v1

**Figure 18. Switching time waveform**


AM01473v1

## 4 Package information

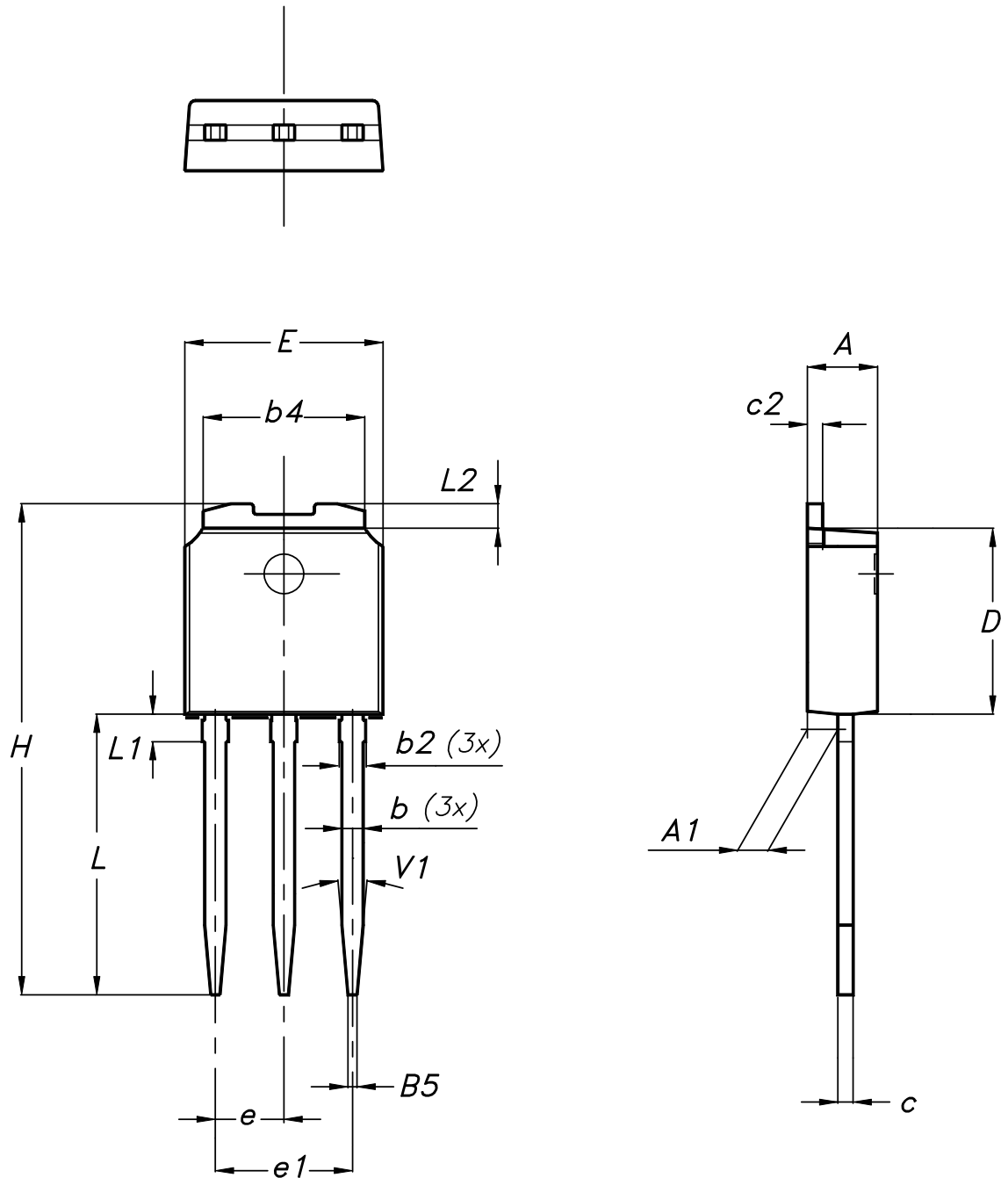
---

In order to meet environmental requirements, ST offers these devices in different grades of ECOPACK® packages, depending on their level of environmental compliance. ECOPACK® specifications, grade definitions and product status are available at: [www.st.com](http://www.st.com). ECOPACK® is an ST trademark.



**4.1 IPAK (TO-251) type A package information**

Figure 19. IPAK (TO-251) type A package outline



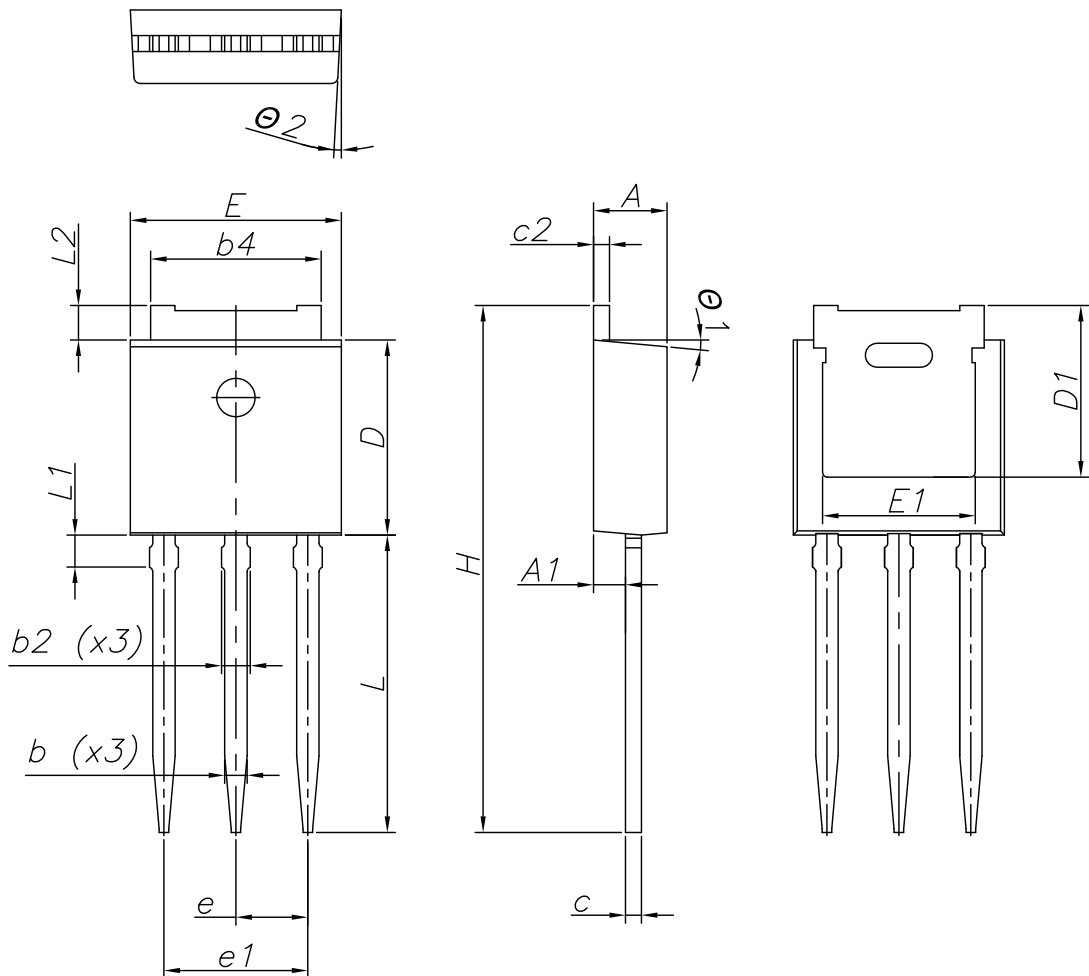
0068771\_IK\_typeA\_rev14

**Table 8. IPAK (TO-251) type A package mechanical data**

Dim.	mm		
	Min.	Typ.	Max.
A	2.20		2.40
A1	0.90		1.10
b	0.64		0.90
b2			0.95
b4	5.20		5.40
B5		0.30	
c	0.45		0.60
c2	0.48		0.60
D	6.00		6.20
E	6.40		6.60
e		2.28	
e1	4.40		4.60
H		16.10	
L	9.00		9.40
L1	0.80		1.20
L2		0.80	1.00
V1		10°	

## 4.2 IPAK (TO-251) type C package information

Figure 20. IPAK (TO-251) type C package outline



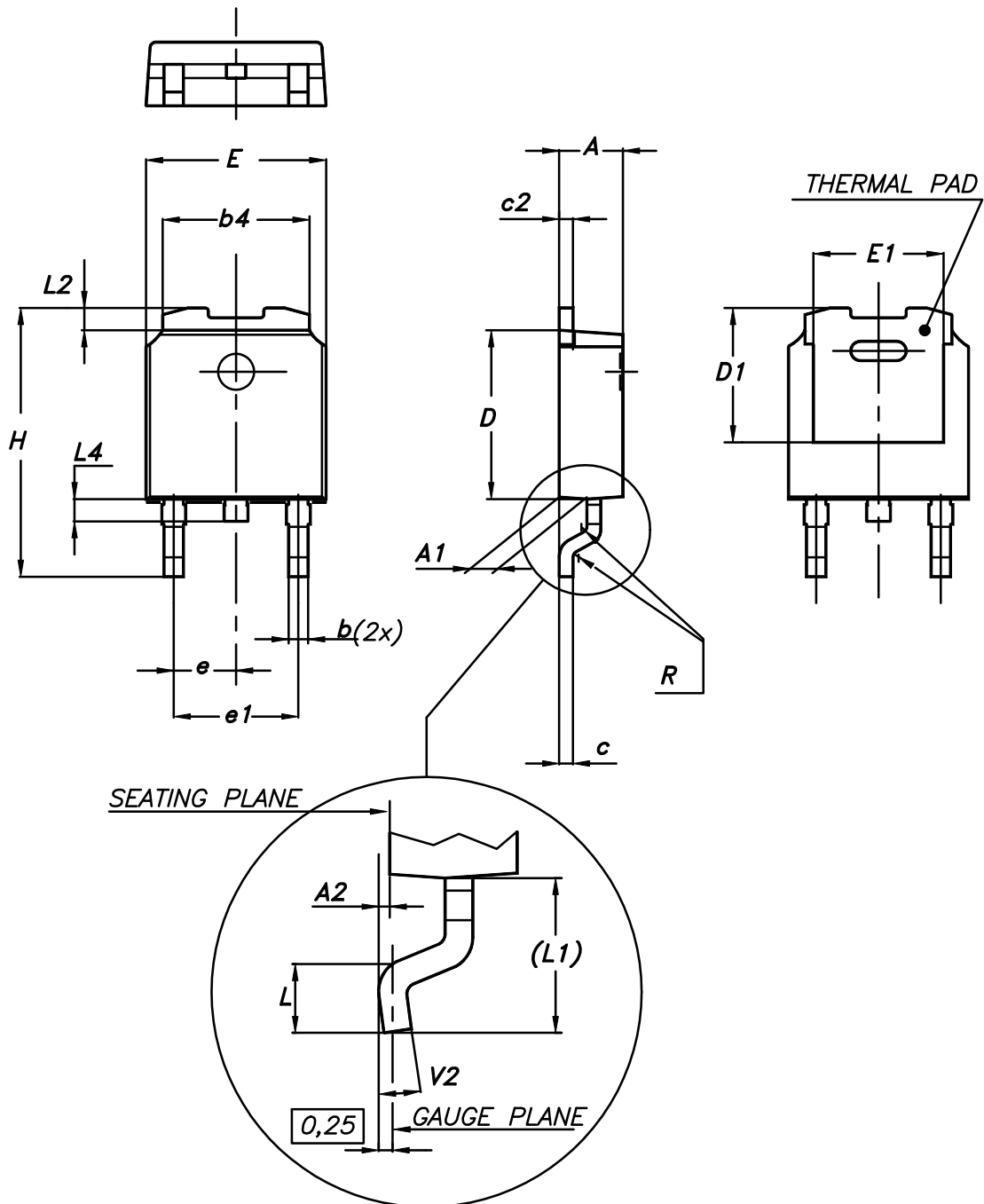
0068771\_IK\_typeC\_rev14

**Table 9. IPAK (TO-251) type C package mechanical data**

Dim.	mm		
	Min.	Typ.	Max.
A	2.20	2.30	2.35
A1	0.90	1.00	1.10
b	0.66		0.79
b2			0.90
b4	5.23	5.33	5.43
c	0.46		0.59
c2	0.46		0.59
D	6.00	6.10	6.20
D1	5.20	5.37	5.55
E	6.50	6.60	6.70
E1	4.60	4.78	4.95
e	2.20	2.25	2.30
e1	4.40	4.50	4.60
H	16.18	16.48	16.78
L	9.00	9.30	9.60
L1	0.80	1.00	1.20
L2	0.90	1.08	1.25
θ1	3°	5°	7°
θ2	1°	3°	5°

### 4.3 DPAK (TO-252) type A package information

Figure 21. DPAK (TO-252) type A package outline



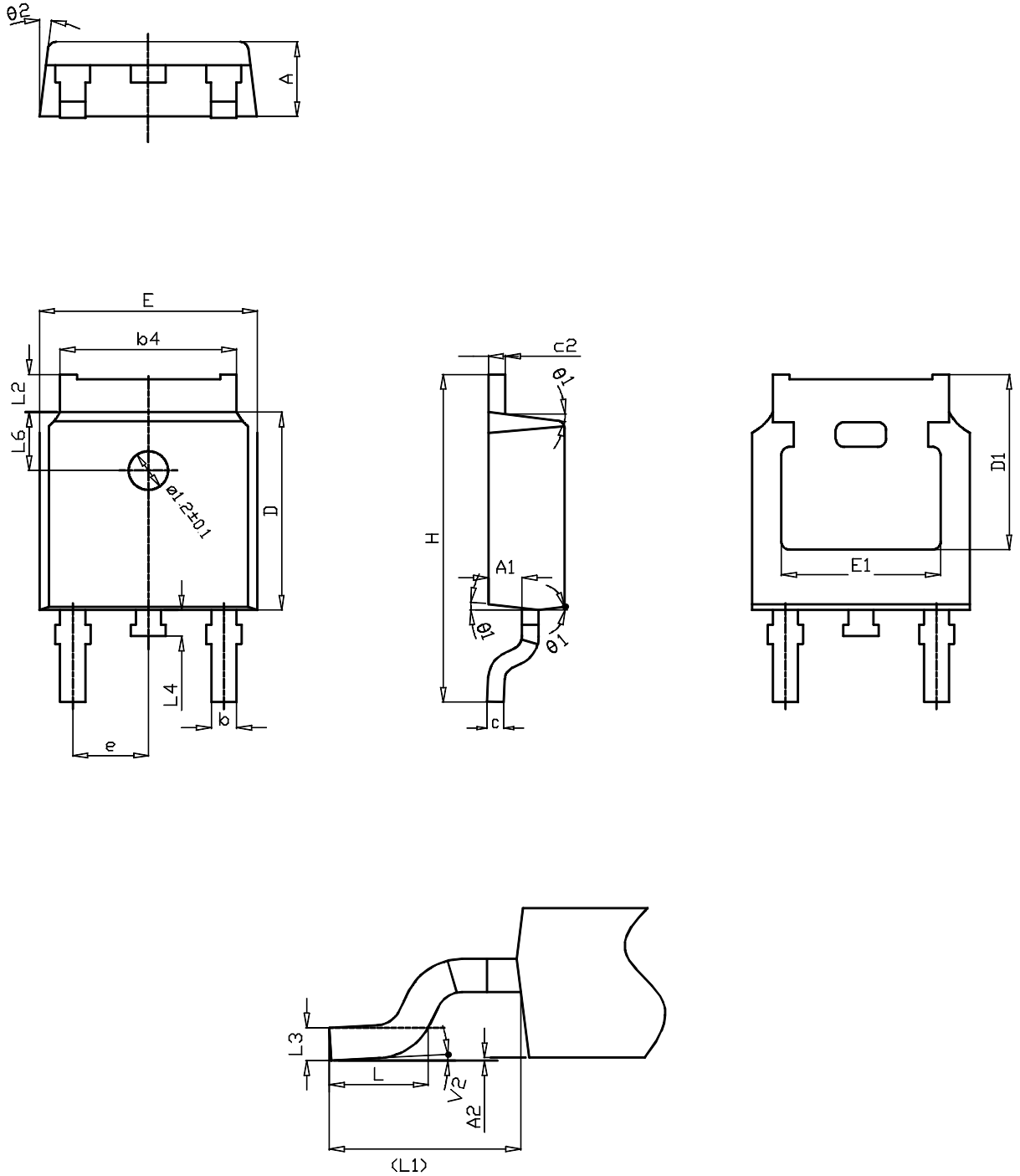
0068772\_A\_25

**Table 10. DPAK (TO-252) type A mechanical data**

Dim.	mm		
	Min.	Typ.	Max.
A	2.20		2.40
A1	0.90		1.10
A2	0.03		0.23
b	0.64		0.90
b4	5.20		5.40
c	0.45		0.60
c2	0.48		0.60
D	6.00		6.20
D1	4.95	5.10	5.25
E	6.40		6.60
E1	4.60	4.70	4.80
e	2.159	2.286	2.413
e1	4.445	4.572	4.699
H	9.35		10.10
L	1.00		1.50
(L1)	2.60	2.80	3.00
L2	0.65	0.80	0.95
L4	0.60		1.00
R		0.20	
V2	0°		8°

#### 4.4 DPAK (TO-252) type C package information

Figure 22. DPAK (TO-252) type C package outline



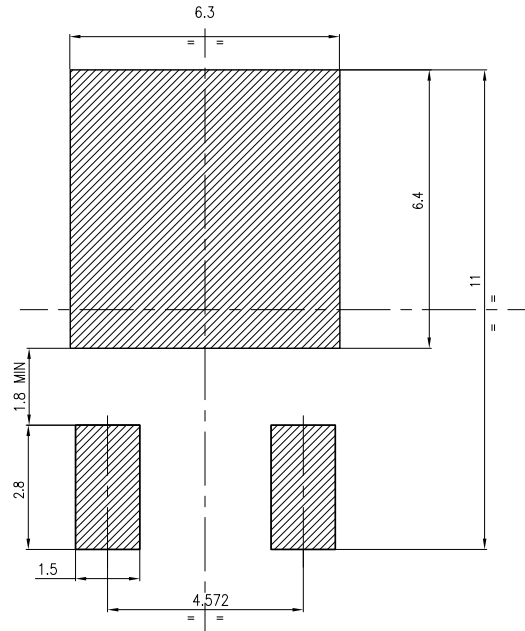
0068772\_C\_25

**Table 11. DPAK (TO-252) type C mechanical data**

Dim.	mm		
	Min.	Typ.	Max.
A	2.20	2.30	2.38
A1	0.90	1.01	1.10
A2	0.00		0.10
b	0.72		0.85
b4	5.13	5.33	5.46
c	0.47		0.60
c2	0.47		0.60
D	6.00	6.10	6.20
D1	5.25		
E	6.50	6.60	6.70
E1	4.70		
e	2.186	2.286	2.386
H	9.80	10.10	10.40
L	1.40	1.50	1.70
L1	2.90 REF		
L2	0.90		1.25
L3	0.51 BSC		
L4	0.60	0.80	1.00
L6	1.80 BSC		
θ1	5°	7°	9°
θ2	5°	7°	9°
V2	0°		8°



Figure 23. DPAK (TO-252) recommended footprint (dimensions are in mm)



FP\_0068772\_25\_C

## 5 Ordering information

Table 12. Order codes

Order code	Marking	Package	Packing
STD3NK50Z-1	D3NK50Z	IPAK	Tube
STD3NK50ZT4		DPAK	Tape and reel

## Revision history

**Table 13. Document revision history**

Date	Version	Changes
09-Jul-2004	1	First release.
17-Jan-2005	2	Complete version
03-Aug-2018	3	<p>Removed maturity status indication from cover page. The document status is production data.</p> <p>The part number STQ3NK50ZR-AP has been moved to a separate datasheet.</p> <p>Updated <a href="#">Section 1 Electrical ratings</a>, <a href="#">Section 2 Electrical characteristics</a> and <a href="#">Section 4 Package information</a>.</p> <p>Added <a href="#">Section 5 Ordering information</a>.</p> <p>Minor text changes.</p>

## Contents

<b>1</b>	<b>Electrical ratings</b> .....	<b>2</b>
<b>2</b>	<b>Electrical characteristics</b> .....	<b>3</b>
<b>2.1</b>	Electrical characteristics (curves) .....	5
<b>3</b>	<b>Test circuits</b> .....	<b>7</b>
<b>4</b>	<b>Package information</b> .....	<b>8</b>
<b>4.1</b>	IPAK (TO-251) type A package information .....	8
<b>4.2</b>	IPAK (TO-251) type C package information .....	10
<b>4.3</b>	DPAK (TO-252) type A package information .....	12
<b>4.4</b>	DPAK (TO-252) type C package information .....	14
<b>5</b>	<b>Ordering information</b> .....	<b>18</b>
	<b>Revision history</b> .....	<b>19</b>

**IMPORTANT NOTICE – PLEASE READ CAREFULLY**

STMicroelectronics NV and its subsidiaries (“ST”) reserve the right to make changes, corrections, enhancements, modifications, and improvements to ST products and/or to this document at any time without notice. Purchasers should obtain the latest relevant information on ST products before placing orders. ST products are sold pursuant to ST’s terms and conditions of sale in place at the time of order acknowledgement.

Purchasers are solely responsible for the choice, selection, and use of ST products and ST assumes no liability for application assistance or the design of Purchasers’ products.

No license, express or implied, to any intellectual property right is granted by ST herein.

Resale of ST products with provisions different from the information set forth herein shall void any warranty granted by ST for such product.

ST and the ST logo are trademarks of ST. All other product or service names are the property of their respective owners.

Information in this document supersedes and replaces information previously supplied in any prior versions of this document.

© 2018 STMicroelectronics – All rights reserved

# Mouser Electronics

Authorized Distributor

Click to View Pricing, Inventory, Delivery & Lifecycle Information:

[STMicroelectronics:](#)

[STD3NK50ZT4](#) [STD3NK50Z-1](#)